

Rigid Set Screw Steel Coupling

Size Range: 1/2" -

Product Series: SNT - Rigid / IMC Set Screw Coupling

Material: Solid Alloy Steel Construction

Made in the USA

Industrial SPEC-grade
2 1/2" thru 4" Are UL Listed & Approved For Use on Both EMT & Rigid Conduit

Twice the Strength and Durability of All Die Cast and Malleable Iron Fittings

Features:

Precision Machined Body and Scw Holes

Fully Avoids Cracking or Distortion from Tightening Set Screws

AMFICO **EZ Torque** Tri-Head Steel Screws Will Not Crack, Vibration Resistant

May be Installed Using Slotted, Phillips or Robertson Driver

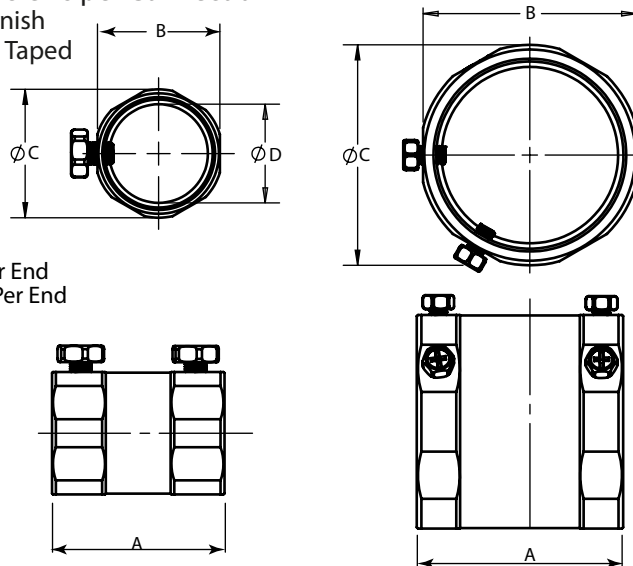
2 1/2" - 4" Feature Two Hex Screws per Connection

Zinc Plated with a Chromate Finish

UL Rated Concrete Tight When Taped



Set Screw Coupling



1/2" thru 2" Has One Set Screw Per End
2 1/2" thru 4" has Two Set Screws Per End

Recommended Torque
160-200 in-lb

Cat #	TRADE SIZE	A LENGTH	B HEX	C DIAMETER	D DIAMETER	Wt. Per/C
SNT1760	1/2"	1-1/2"	7/8"	7/8"	11/16"	8
SNT1761	3/4"	1-1/2"	1-1/16"	1-1/8"	7/8"	10
SNT1762	1"	1-7/8"	1-3/8"	1-3/8"	1-1/8"	20
SNT1763	1-1/4"	2-3/16"	1-11/16"	1-3/4"	1-1/2"	29
SNT1764	1-1/2"	2-5/8"	1-15/16"	2-1/16"	1-11/16"	42
SNT1765	2"	2-11/16"	2-7/16"	2-1/2"	2-1/8"	54
ERS250CPLG (1)	2-1/2"	2-9/16"	3-1/4"	3-7/16"	2-13/16"	108
ERS300CPLG (1)	3"	2-5/8"	3-15/16"	4"	3-7/16"	129
ERS350CPLG (1)	3-1/2"	2-5/8"	4-7/16"	4-9/16"	3-15/16"	154
ERS400CPLG (1)	4"	2-5/8"	4-15/16"	5-1/8"	4-7/16"	172

(1) 2 1/2" to 4" are UL Listed & Approved for use on BOTH EMT & Rigid Conduit. Product is stamped accordingly.

Compliances:

Certified Made in the USA

UL 514B, 467

Set Screw Fittings Concrete Tight When Taped

NEMA Standard FB1

Federal Standard A-A-50553

Certified for MIL-STD 810 Sinusoidal Vibrations

CSA Standard: C22.2 No. 18F

RoHS Compliant

REACH Compliant

CA Prop 65 Compliant

UNSPSC 39121434



Available OPTIONS:

Compression Configuration including Rain Tight

Color Coded Painted (powder coated) Fittings - See Catalog Page

(1) 2 1/2" to 4" are UL Listed & Approved for use on BOTH EMT & Rigid Conduit. Product is stamped accordingly.

Rigid Set Screw Steel Connector

Size Range: 1/2" - 4"

Product Series: SNT - Rigid / IMC Set Screw Connector

Material: Solid Alloy Steel Construction

Made in the USA

Twice the Strength and Durability of All Die Cast and Malleable Iron Fittings

Features:

Precision Machined Body and Scw Holes

Fully Avoids Cracking or Distortion from Tightening Set Screws

AMFICO *EZ Torque* Tri-Head Steel Screws Will Not Crack, Vibration Resistant

May be Installed Using Slotted, Phillips or Robertson Driver

2 1/2" - 4" Feature Two Hex Screws per Connection

Zinc Plated with a Chromate Finish

UL Rated Concrete Tight When Taped

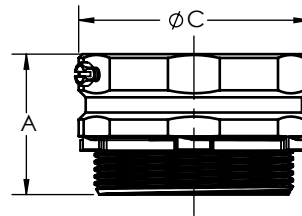
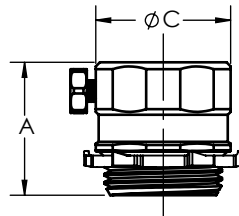
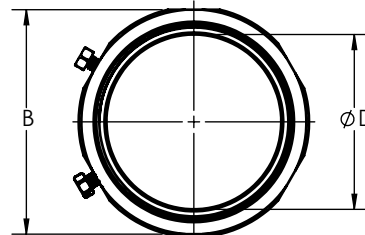
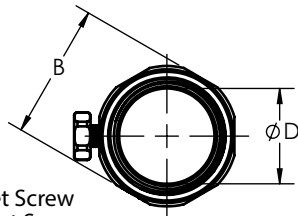
Industrial SPEC-grade
2 1/2" thru 4" Are UL Listed & Approved For Use on Both EMT & Rigid Conduit



Set Screw Connector Shown Below with Insulated Bushing*



Furnished with a UL Listed Steel Locknut



1/2" thru 2" Has One Set Screw
2 1/2" thru 4" has Two Set Screws

Recommended Torque
160-200 in-lb

Cat #	TRADE SIZE	A LENGTH	B HEX	C DIAMETER	D DIAMETER	Wt. Per/C
SNT1750	1/2"	1-1/4"	15/16"	1"	9/16"	10
SNT1751	3/4"	1-1/4"	1-3/16"	1-1/4"	13/16"	13
SNT1752	1"	1-9/16"	1-7/16"	1-1/2"	1-1/16"	21
SNT1753	1-1/4"	1-3/4"	1-13/16"	1-7/8"	1-3/8"	33
SNT1754	1-1/2"	2"	2-1/16"	2-3/16"	1-9/16"	46
SNT1755	2"	2"	2-9/16"	2-11/16"	2"	62
ERS250CONN (1)	2-1/2"	2-1/2"	3-1/4"	3-7/16"	2-7/16"	117
ERS300CONN (1)	3"	2-9/16"	3-15/16"	4"	3"	167
ERS350CONN (1)	3-1/2"	2-9/16"	4-7/16"	4-9/16"	3-1/2"	206
ERS400CONN (1)	4"	2-9/16"	4-15/16"	5-1/8"	3-15/16"	247

(1) 2 1/2" to 4" are UL Listed & Approved for use on BOTH EMT & Rigid Conduit. Product is stamped accordingly.

Compliances:

Certified Made in the USA

UL 514B, 467

Set Screw Fittings Concrete Tight When Taped

NEMA Standard FB1

Federal Standard A-A-50553

Certified for MIL-STD 810 Sinusoidal Vibrations

CSA Standard: C22.2 No. 18F

RoHS Compliant

REACH Compliant

CA Prop 65 Compliant

UNSPSC 39121434



Available OPTIONS:

* Factory Installed 105° UL Rating Insulated Bushing-
For this Option, Add Suffix B to Above Cat Number

Compression Configuration including Rain Tight

Color Coded Painted (powder coated) Fittings- See Catalog Page

(1) 2 1/2" to 4" are UL Listed & Approved for use on BOTH EMT & Rigid Conduit. Product is stamped accordingly.