

Rigid Steel Compression Coupling

Size Range: 1/2" - 4"

Product Series: NT Rigid / IMC Compression Coupling

Material: Solid Alloy Steel Construction

Made in the USA

Features:

- Precision Machined Cut Threads
- AMFICO EZ **Torque** Solid Steel Compression Nuts
- Easily Torques Tight and Right
- Zinc Plated with a Chromate Finish **
- UL Rated Concrete Tight
- Suitable for Direct Burial ***

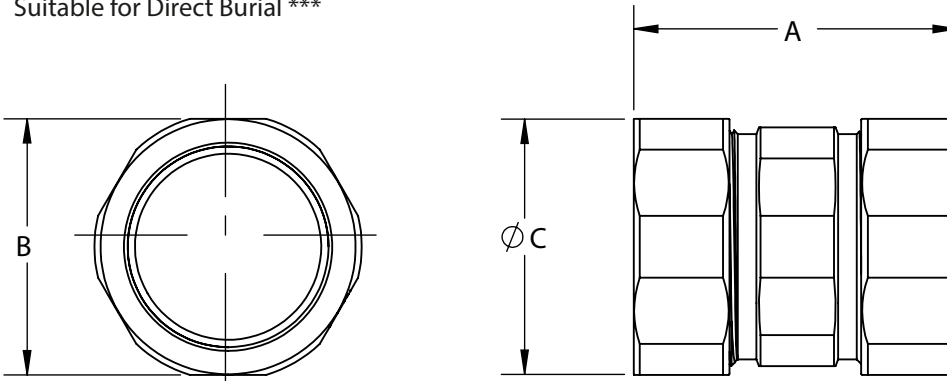
Industrial SPEC-grade
2 1/2" thru 4" Are UL Listed & Approved For Use on Both EMT & Rigid Conduit



Compression Coupling



Compression Nuts have a Full Flat Hex Surface



Twice the Strength and Durability with a Fraction of the Weight and Size of Malleable Iron

Cat #	TRADE SIZE	A LENGTH	B HEX	C DIAMETER	Wt. Per/C
NT2760	1/2"	1-13/16"	1-1/8"	1-3/16"	16
NT2761	3/4"	2-1/8"	1-3/8"	1-7/16"	24
NT2762	1"	2-7/16"	1-11/16"	1-3/4"	48
NT2763	1-1/4"	2-13/16"	2-1/16"	2-3/16"	64
NT2764	1-1/2"	3-1/8"	2-15/16"	2-3/8"	110
NT2765	2"	3-1/4"	2-13/16"	2-7/16"	140
ERC250CPLG (1)	2-1/2"	3-13/16"	3-1/4"	3-7/16"	150
ERC300CPLG (1)	3"	3-15/16"	3-15/16"	4"	192
ERC350CPLG (1)	3-1/2"	3-15/16"	4-7/16"	4-9/16"	229
ERC400CPLG (1)	4"	4"	4-15/16"	5-1/8"	266

(1) 2 1/2" to 4" UL Listed and Rated for both EMT & Rigid Conduit. Product is stamped accordingly.

Compliances:

- Certified Made in the USA
- UL 514B, 467
- Compression Fittings Concrete Tight
- Suitable for Direct Burial ***
- NEMA Standard FB1
- Federal Standard A-A-50553
- Certified for MIL-STD 810 Sinusoidal Vibrations
- CSA Standard: C22.2 No. 18F
- RoHS Compliant
- REACH Compliant
- CA Prop 65 Compliant
- UNSPSC 39121311



Available OPTIONS:

RainTight Configuration - "RT series" See Catalog Page

** Galvanized Plating - Option
For this Option, Add Suffix "G" to Above Cat Number

Color Coded Painted (powder coated) Fittings - See Catalog Page

*** Rain Tight Series Recommended for Direct Burial Requirements

Rigid Steel Compression Connector

Size Range: 1/2" - 4"

Product Series: NT Rigid / IMC Compression Connector

Material: Solid Alloy Steel Construction

Made in the USA

Features:

- Precision Machined Cut Threads
- AMFICO EZ **Torque** Solid Steel Compression Nut
- Zinc Plated with a Chromate Finish **
- UL Rated Concrete Tight
- Suitable for Direct Burial ***

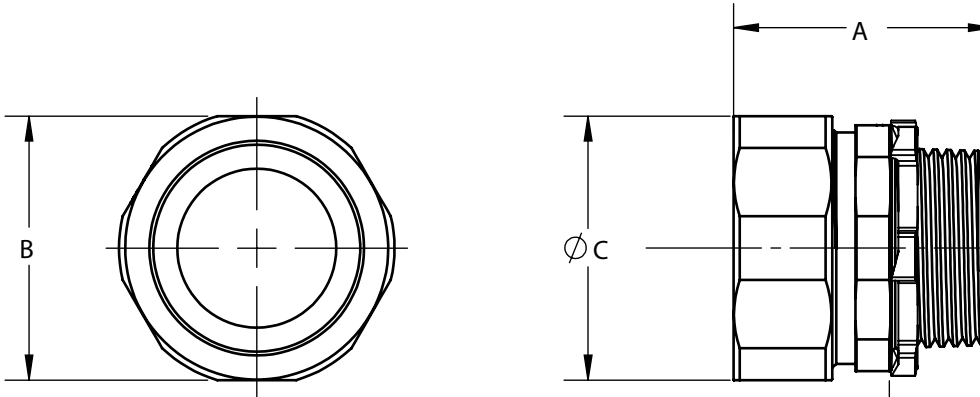
Industrial SPEC-grade
2 1/2" thru 4" Are UL Listed & Approved For Use on Both EMT & Rigid Conduit

Compression Nut has a Full Flat Hex Surface

Furnished with a UL Listed Steel Locknut



Compression Connector Below Shown with Optional Insulated Bushing



Twice the Strength and Durability with a Fraction of the Weight and Size of Malleable Iron

1/2" thru 2" Furnished with NPT Threads
2 1/2" thru 4" Furnished with NPSThreads

Cat #	TRADE SIZE	A LENGTH	B HEX	C DIAMETER	D THREAD LENGTH	Wt. Per/C
NT2750 (2)	1/2"	1-1/2"	1-1/8"	1-3/16"	1/2"	13
NT2751 (2)	3/4"	1-5/8"	1-3/8"	1-7/16"	1/2"	20
NT2752 (2)	1"	1-15/16"	1-11/16"	1-3/4"	11/16"	36
NT2753 (2)	1-1/4"	2-1/8"	2-1/16"	2-3/16"	11/16"	48
NT2754 (2)	1-1/2"	2-3/8"	2-5/16"	2-3/8"	3/4"	70
NT2755 (2)	2"	2-1/2"	2-13/16"	2-7/8"	3/4"	100
ERC250CONN (1)	2-1/2"	3-7/16"	3-1/4"	3-7/16"	1"	120
ERC300CONN (1)	3"	4"	3-15/16"	4"	1"	165
ERC350CONN (1)	3-1/2"	4-9/16"	4-7/16"	4-9/16"	1"	201
ERC400CONN (1)	4"	5-1/8"	4-15/16"	5-1/8"	1"	237

- (1) 2 1/2" to 4" UL Listed and Rated for both EMT & Rigid Conduit. Product is stamped accordingly. Furnished with NPS Threads
- (2) 1/2" to 2" Furnished with NPT Threads.

Compliances:

- Certified Made in the USA
- UL 514B, 467
- Compression Fittings Concrete Tight
- Suitable for Direct Burial ***
- NEMA Standard FB1
- Federal Standard A-A-50553
- Certified for MIL-STD 810 Sinusoidal Vibrations
- CSA Standard: C22.2 No. 18F
- RoHS Compliant
- REACH Compliant
- CA Prop 65 Compliant
- UNSPSC 39121311



Available OPTIONS:

Factory Installed 105° UL Rating Insulated Bushing-
For this Option, Add Suffix B to Above Cat Number

RainTight Configuration - "RT series" See Catalog Page

** Galvanized Plating - Option
For this Option, Add Suffix "G" to Above Cat Number

Color Coded Painted (powder coated) Fittings- See Catalog Page

*** Rain Tight Series Recommended for Direct Burial Requirements

Rigid RT Steel Compression Coupling

Size Range: 1/2" - 4"

2 1/2" thru 4" Are UL Listed & Approved For Use on Both EMT & Rigid Conduit

Product Series: NT Rain Tight Rigid / IMC Compression Coupling

Material: Solid Alloy Steel Construction

Made in the USA

Features:

- Precision Machined Cut Threads
- AMFICO **EZ Torque** Solid Steel Compression Nuts
- Easily Torques Tight and Right
- Zinc Plated with a Chromate Finish **
- RT Series: UL Listed Wet Locations - Rain Tight NEC 314.15
- Suitable for Direct Burial

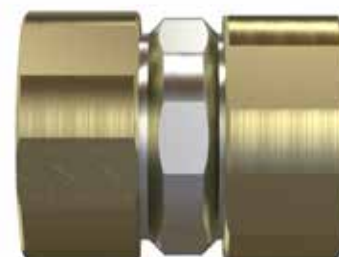
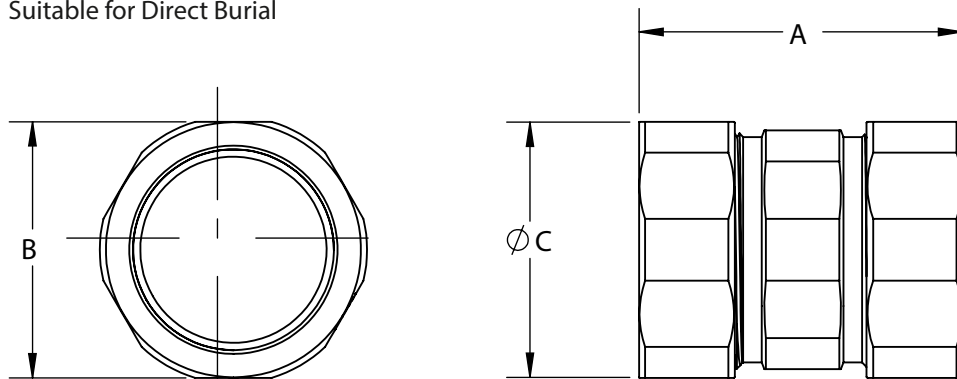
Compression Nuts Plated Gold Tone for EZ Inspection and Identification

Compression Nuts have Full Flat Hex Surface for Full Torque

Guaranteed Rain Tight



RT Compression Coupling



EZ Torque Compression Nuts
Torque Tight & Right

Twice the Strength and Durability with a Fraction of the Weight and Size of Malleable Iron

Cat #	TRADE SIZE	A LENGTH	B HEX	C DIAMETER	Wt. Per/C
NT2760RT	1/2"	1-13/16"	1-1/8"	1-3/16"	16
NT2761RT	3/4"	2-1/8"	1-3/8"	1-7/16"	24
NT2762RT	1"	2-7/16"	1-11/16"	1-3/4"	48
NT2763RT	1-1/4"	2-13/16"	2-1/16"	2-3/16"	64
NT2764RT	1-1/2"	3-1/8"	2-15/16"	2-3/8"	110
NT2765RT	2"	3-1/4"	2-13/16"	2-7/16"	140
ERC250CPLGRT (1)	2-1/2"	3-13/16"	3-1/4"	3-7/16"	150
ERC300CPLGRT (1)	3"	3-15/16"	3-15/16"	4"	192
ERC350CPLGRT (1)	3-1/2"	3-15/16"	4-7/16"	4-9/16"	229
ERC400CPLGRT (1)	4"	4"	4-15/16"	5-1/8"	266

(1) 2 1/2" to 4" UL Listed and Rated for both EMT & Rigid Conduit. Product is stamped accordingly.

Compliances:

- Certified Made in the USA
- UL 514B, 467 UL Listed Wet Locations | Rain Tight
- Compression Fittings UL Rated Concrete Tight
- Suitable for Direct Burial
- NEMA Standard FB1
- Federal Standard A-A-50553
- Certified for MIL-STD 810 Sinusoidal Vibrations
- CSA Standard: C22.2 No. 18F
- RoHS Compliant
- REACH Compliant
- CA Prop 65 Compliant
- UNSPSC 39121311



Available OPTIONS:

- ** Galvanized Plating - Option
For this Option, Add Suffix "G" to Above Cat Number
- Color Coded Painted (powder coated) Fittings - *See Catalog Page*
- Rain Tight Series Recommended for Direct Burial Requirements

Rigid RT Steel Compression Connector

Industrial SPEC-grade

Since 1946

Size Range: 1/2" - 4" Alloy Steel

2 1/2" thru 4" Are UL Listed & Approved For Use on Both EMT & Rigid Conduit

Product Series: NT Rain Tight Rigid / IMC Compression Connector

Material: Solid Alloy Steel Construction

Made in the USA

Features:

- Precision Machined Cut Threads
- AMFICO **EZ Torque** Solid Steel Compression Nuts
- Easily Torques Tight and Right
- Zinc Plated with a Chromate Finish **
- RT Series: UL Listed Wet Locations - Rain Tight NEC 314.15
- Suitable for Direct Burial

Twice the Strength and Durability with a Fraction of the Weight and Size of Malleable Iron

Compression Nut Plated Gold Tone for EZ Inspection and Identification

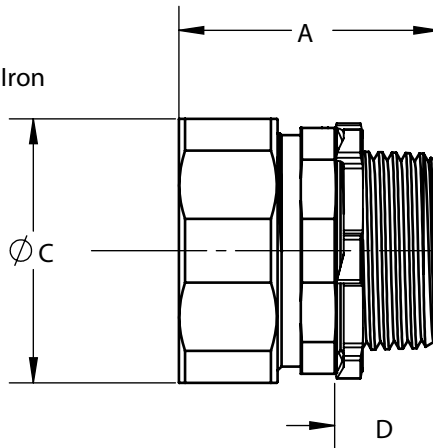
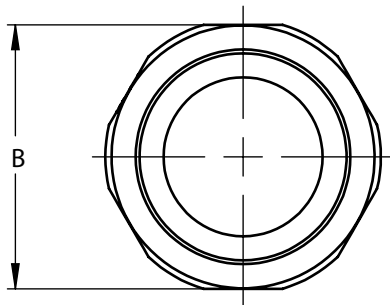
Compression Nut has a Full Flat Hex Surface for Full Torque

Guaranteed Rain Tight

Furnished with a UL Listed Steel Locknut & Sealing Washer



RT Compression Connector



1/2" thru 2" Furnished with NPT Threads
2 1/2" thru 4" Furnished with NPT Threads



Cat #	TRADE SIZE	A LENGTH	B HEX	C DIAMETER	D THREAD LENGTH	Wt. Per/C
NT2750RT (2)	1/2"	1-1/2"	1-1/8"	1-3/16"	1/2"	13
NT2751RT (2)	3/4"	1-5/8"	1-3/8"	1-7/16"	1/2"	20
NT2752RT (2)	1"	1-15/16"	1-11/16"	1-3/4"	11/16"	36
NT2753RT (2)	1-1/4"	2-1/8"	2-1/16"	2-3/16"	11/16"	48
NT2754RT (2)	1-1/2"	2-3/8"	2-5/16"	2-3/8"	3/4"	70
NT2755RT (2)	2"	2-1/2"	2-13/16"	2-7/8"	3/4"	100
ERC250CONNRT (1)	2-1/2"	3-7/16"	3-1/4"	3-7/16"	1"	120
ERC300CONNRT (1)	3"	4"	3-15/16"	4"	1"	165
ERC350CONNRT (1)	3-1/2"	4-9/16"	4-7/16"	4-9/16"	1"	201
ERC400CONNRT (1)	4"	5-1/8"	4-15/16"	5-1/8"	1"	237

- (1) 2 1/2" to 4" UL Listed and Rated for both EMT & Rigid Conduit. Product is stamped accordingly. Furnished with NPS Threads
- (2) 1/2" to 2" Furnished with NPT Threads.

Compliances:

- Certified Made in the USA
- UL 514B, 467 UL Listed Rain Tight Compression Fittings Concrete Tight Suitable for Direct Burial
- NEMA Standard FB1
- Federal Standard A-A-50553
- Certified for MIL-STD 810 Sinusoidal Vibrations
- CSA Standard: C22.2 No. 18F
- RoHS Compliant
- REACH Compliant
- CA Prop 65 Compliant
- UNSPSC 39121311



Available OPTIONS:

Factory Installed 105° UL Rating Insulated Bushing- For this Option, Add Suffix B to Above Cat Number

** Galvanized Plating - Option For this Option, Add Suffix "G" to Above Cat Number

Color Coded Painted (powder coated) Fittings- See Catalog Page

Rain Tight Series Recommended for Direct Burial Requirements