

# Liquid Tight Straight Fitting w/Lug

Industrial SPEC-grade

Size Range: 3/8" - 4"

Product Series: STRGL Seal Tight Fitting Reuseable with AL Ground Lug\*\*\*

For Use with: Type A Conduit \*\*\*\*

Material: Solid Alloy Steel Construction AL and SS Options

Zinc Plated with a Chromate Finish \*\*

Made in the USA

Full FLAT HEX Surface with  
EZ Torque Steel Compression Nuts  
Torques Tight & Right



Shown with Optional Bushing

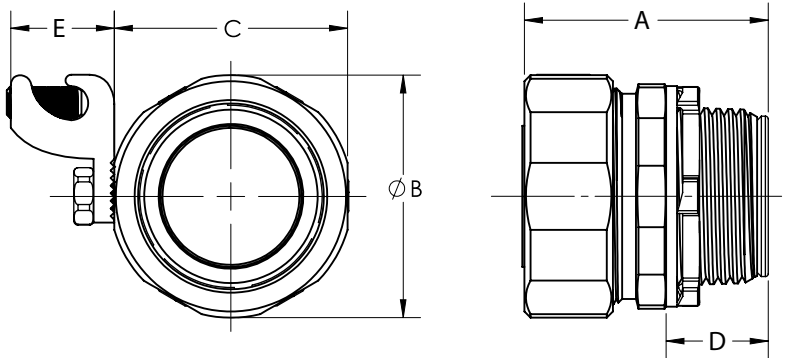
**Features:**

Precision Machined Cut Threads NPT

Furnished with Steel Locknut and Sealing Washer

Extra Long Ferrule Engages Conduit Provides Exceptional Retention & Bend Radius

UL Rated Concrete Tight Suitable for Direct Burial



Cat # **	TRADE SIZE	A LENGTH	B DIAMETER	C HEX	D THREAD LENGTH	E LUG HEIGHT	WIRE SIZE		Wt. Per/C
							MIN	MAX	
STR38GL	3/8"	1-3/8"	1-1/16"	1-1/8"	5/8"	3/4"	14	4	14
STR50GL	1/2"	1-3/8"	1-1/8"	1-3/16"	5/8"	3/4"	14	4	15
STR75GL	3/4"	1-7/16"	1-3/8"	1-7/16"	5/8"	3/4"	14	4	19
STR100GL	1"	1-5/8"	1-11/16"	1-3/4"	11/16"	3/4"	14	4	28
STR125GL	1-1/4"	1-3/4"	2-1/16"	2-3/16"	11/16"	3/4"	14	4	48
STR150GL	1-1/2"	2"	2-5/16"	2-3/8"	3/4"	3/4"	14	4	61
STR200GL	2"	2-1/8"	2-3/4"	2-7/8"	3/4"	3/4"	14	4	86
STR250GL	2-1/2"	3-1/16"	3-1/4"	3-7/16"	1-1/8"	1-1/8"	8	1/0	157
STR300GL	3"	3-1/4"	3-15/16"	4"	1-1/8"	1-1/8"	8	1/0	184
STR350GL	3-1/2"	3-1/4"	4-7/16"	4-9/16"	1-1/8"	1-11/16"	6	250MCM	239
STR400GL	4"	3-1/4"	4-15/16"	5-1/8"	1-1/8"	1-11/16"	6	250MCM	276

\*\* Add suffix "B" for insulated throat

**Compliances:**

UL 514 B, 467

NEMA Standard FB1 Rated NEMA Types 2, 3, 3R, 3, 4X, 5, 12, 13

Rated Type A Conduits Including; LNFC, LMFC, and LSCH \*\*\*\*

NEC: Class I, Division 2

Class II, Divisions 1 and 2; Class III, Divisions 1 and 2

Federal Standards A-A-50553, A-A-50552

UL Rated for Wet Locations Guaranteed to Seal Out Liquids,

Contaminants & Ingress of Other Fluids Suitable for Direct Burial

Rated for temperature ranges -49°F to +221°F (-45°C to +105°C).

CSA Standard: C22.2 No. 18F

RoHS Compliant

REACH Compliant

CA Prop 65 Compliant

UNSPSC 39123033



**Available Options:**

\*\* Material Options: ALUMINUM - Copper Free

Add Suffix "AL" to Cat #;

STAINLESS (typ316)-Avail Sizes- 1/2" to 1"

Add Suffix "SST" to Cat #

\*\* Insulated Throat Bushing 105°C UL Rating

Factory Installed Bushing - Add Suffix "B" to Above Cat #

Configurations Available and Options:

\*\*\* Lugs Available: AL Standard

Option of Copper, Add "CU" to Cat #

90° and 45°

Transition Fittings - Adapters to Convert

EMT to Liquid Tight, Right Conduit to Liquid Tight

Wire Mesh Strain Relief

\*\* Galvanized Plating Option Available

\*\*\*\*STR Series is NOT Rated nor Recommended for Type B Conduit  
See our NMLT Series

Rev.2-11-2024