

Liquid Tight Straight Fitting

Size Range: 3/8" - 4"

Product Series: STR Seal Tight Fitting Reuseable

For Use with: Type A Conduits ***

Material: Solid Alloy Steel Construction AL and SS Options

Zinc Plated with a Chromate Finish **

Made in the USA

Industrial SPEC-grade



Full FLAT HEX Surface with EZ Torque Steel Compression Nuts Torques Tight & Right

Features:

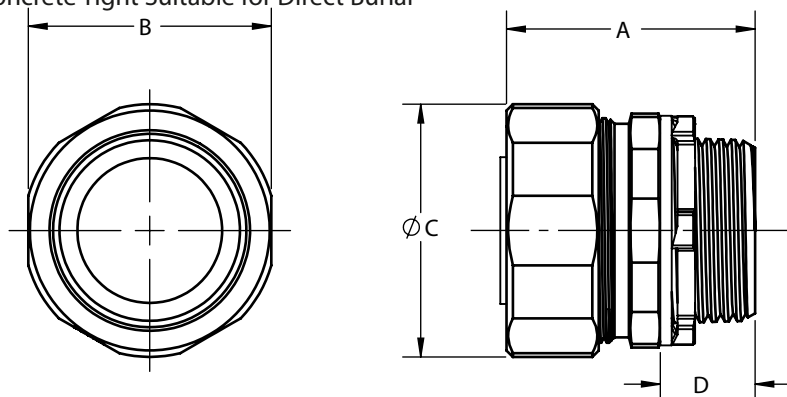
Twice the Strength and Durability of ALL Die Cast and Malleable Products

Precision Machined Cut Threads NPT

Furnished with Steel Locknut and Sealing Washer

Extra Long Ferrule Engages Conduit Provides Exceptional Retention & Bend Radius

UL Rated Concrete Tight Suitable for Direct Burial



Shown with Optional Bushing

Cat #	TRADE SIZE	A LENGTH	B HEX	C DIAMETER	D THREAD LENGTH	Wt. Per/C
STR38	3/8"	1-3/8"	1-1/16"	1-1/8"	5/8"	12
STR50	1/2"	1-3/8"	1-1/8"	1-3/16"	5/8"	13
STR75	3/4"	1-7/16"	1-3/8"	1-7/16"	5/8"	17
STR100	1"	1-5/8"	1-11/16"	1-3/4"	11/16"	26
STR125	1-1/4"	1-3/4"	2-1/16"	2-3/16"	11/16"	46
STR150	1-1/2"	2"	2-5/16"	2-3/8"	3/4"	59
STR200	2"	2-1/8"	2-3/4"	2-7/8"	3/4"	84
STR250	2-1/2"	3-1/16"	3-1/4"	3-7/16"	1-1/8"	147
STR300	3"	3-1/4"	3-15/16"	4"	1-1/8"	174
STR350	3-1/2"	3-1/4"	4-7/16"	4-9/16"	1-1/8"	219
STR400	4"	3-1/4"	4-15/16"	5-1/8"	1-1/8"	256

** Add suffix "B" for insulated throat

Compliances:

UL 514 B, 467

NEMA Standard FB1 Rated NEMA Types 2, 3, 3R, 3, 4X, 5, 12, 13

Rated Type A Conduits Including; LNFC, LMFC, and LSCH ***

NEC: Class I, Division 2

Class II, Divisions 1 and 2; Class III, Divisions 1 and 2

Federal Standards A-A-50553, A-A-50552

UL Rated for Wet Locations Guaranteed to Seal Out Liquids,

Contaminants & Ingress of Other Fluids Suitable for Direct Burial

Rated for temperature ranges -49°F to + 221°F (-45°C to +105°C).

CSA Standard: C22.2 No. 18F

RoHS Compliant

REACH Compliant

CA Prop 65 Compliant

UNSPSC 39123033



Available Options:

** Material Options: ALUMINUM - Copper Free

Add Suffix "AL" to Cat #;

STAINLESS (typ316)-Avail Sizes- 1/2" to 1"

Add Suffix "SST" to Cat #

** Insulated Throat Bushing 105°C UL Rating

Factory Installed Bushing - Add Suffix "B" to Above Cat #

Configurations: 90° and 45°

Transition Fittings - Adapters to Convert

EMT to Liquid Tight, Right Conduit to Liquid Tight

Options of:

Grounding Lugs AL and CU

Wire Mesh Strain Relief

** Galvanized Plating Option Available

*** STR Series is NOT Rated nor Recommended for Type B Conduit

See our NMLT Series

Rev.2-11-2024