

Cord Grip Connectors

Size Range: 3/8" - 3" Industrial SPEC-grade
Product Series: CG Series Cord Grip Cable Glands
Materials: Alloy Steel Zinc Plated with Chromate Finish
Stainless Steel and Aluminum Material Options*

Applications:

SPEC-grade Cord Grip connectors use with non-armored flexible cord non-armored glands are installed to provide a means for passing a cord, unarmored cable or flexible conduit into an enclosure. These cable glands are listed for use with flexible cords, including Type S, SO, STO, ST, SJ, SJT, SJTO and SVO. are the ideal choice for environment and applications where product integrity is your prime concern. AMFICO cord connectors are suitable and are currently used in many industries including; petroleum, food processing, chemical, wastewater treatment, HVAC, aerospace, electric power, automobile, paper mills, pumps.

CG Connectors are entirely manufactured in our factory in Fair Lawn, NJ. Precision machined from solid bar stock. There is not a stronger or more versatile cord connector made. Strong NPT threads ensured you are environmentally protected and protect against cord slide. Grommets are also manufactured by us in Fair Lawn, NJ, color-coded by cable range for identification. **Grommet material is Santoprene, Flame retardant: UV resistant and stabilized against copper and other metal-catalyzed degradation. Santoprene is UL 94 V-0 rated and UL 94 5VA rated. Detergent-resistant - Santoprene has excellent form and property**

True Cut Threads NPT Threads
 Precision Machined from
 Solid Stainless Steel Bar Stock

Color Coded Sealing Grommet
 Seats Precisely in Connector Body,
 Designed and Color Coded for SPECIFIC Cable Ranges.
 Provides a Liquid Tight Connection.
 Material Allows Cable to be Pulled Easily,
 Yet Holds Irregular Cable Securely

UL Listed
 Locknut &
 Sealing Washer
 Purchsed Separately

EZ-Torque Hex Design Nut
 Solid Alloy Steel Precision Machined
 Compression Nut,
 Grips Tight & Right Vibration Resistant
 Chamfered Dome Sheds Moisture

NPT Threads



Grommet Material
 FDA Approved

Precision Machined Steel Compression Ring -
 Prevents Distortion of the Sealing Grommet
 Exclusive Engineered Design Slips on Quickly &
 Grips the Jacket of the Cable, & Uniformly Compresses
 Sealing Grommet. Assures a Perfect Moisture Seal, While
 Fully Preventing Pullout Under Extreme Conditions

Solid Corrosion Resistant Alloy Steel Body ***
 Precision Machine Cut Threads - Never Flatten, Never Cross
 Consistent Centerline to Compression Nut
 Guarantees Environmentally Sealing All Cords Correctly

Operating Temperature Range (normal use): -20°C to +105°C (-4°F to +221°F)

Compliances:

Certified Made in the USA
 UL 514B
 NEMA Standard FB1 Rated Liquid Tight NPT Threads
 Federal Standard A-A-50553
 UL Rated Suitable for Hazardous Locations
 NEC: Class I, Division 2
 Class II, Divisions 1 and 2
 Class III, Divisions 1 and 2
 NEC 501-4(b), 505-4(a), 503-3(a)
 CSA Standard: C22.2 No. 18F
 RoHS and REACH Compliant
 CA Prop 65 Compliant
 UNSPC 39121719



Options:

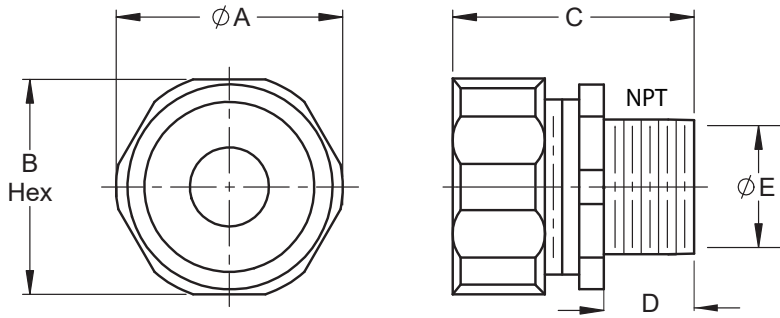
Size Range by Material Offering:
 * Alloy Steel 3/8" - 3"
 * Aluminum - Copper-Free 1/2" - 1" Add Suffix AL to Cat #
 * Stainless Steel Type 316 1/2" - 1" Add Suffix SST Ca

Santoprene Grommets for Moisture-Proof Seal
 EZ Installation No Disassembly is Required
 Liquidtight/Oiltight/Raintight

Straight Cord Grip Connectors

Trade Sizes 3/8" to 1"

Industrial SPEC-grade



Dimensions - Table 1

CG KIT Cat #	Cat #	Trade Size	Cable Ranges Min	Cable Ranges Max	Grommet Color	A Length	B Hex	C Diameter	D NPT Thread Length	Wt. Per/C
CG50K 1/2" 150-.650	CG1238AM	3/8"	.125	.187	Red	1-1/4"	7/8"	15/16"	7/16"	8
	CG1838AM	3/8"	.187	.312	Brown	1-1/4"	7/8"	15/16"	7/16"	8
	CG3138AM	3/8"	.312	.437	Yellow	1-1/4"	7/8"	15/16"	7/16"	8
	CG1250AM	1/2"	.125	.187	Red	1-5/16"	1-1/16"	1-1/8"	1/2"	12
	CG1 (1)	1/2"	.150	.250	Red	1-5/16"	1-1/16"	1-1/8"	1/2"	12
	CG50A250	1/2"	.150	.250	Red	1-5/16"	1-1/16"	1-1/8"	1/2"	10
	CG1850AM	1/2"	.187	.312	Brown	1-5/16"	1-1/16"	1-1/8"	1/2"	12
	CG2 (1)	1/2"	.250	.350	White	1-5/16"	1-1/16"	1-1/8"	1/2"	12
	CG50A350	1/2"	.250	.350	White	1-5/16"	1-1/16"	1-1/8"	1/2"	10
	CG3150AM	1/2"	.312	.437	Yellow	1-5/16"	1-1/16"	1-1/8"	1/2"	12
	CG3150AM	1/2"	.312	.437	Yellow	1-1/4"	7/8"	15/16"	7/16"	8
	CG3 (1)	1/2"	.350	.450	Blue	1-5/16"	1-1/16"	1-1/8"	1/2"	12
	CG50A450	1/2"	.350	.450	Blue	1-5/16"	1-1/16"	1-1/8"	1/2"	10
	CG3750AM	1/2"	.375	.500	Purple	1-5/16"	1-1/16"	1-1/8"	1/2"	12
	CG4 (1)	1/2"	.450	.560	Green	1-5/16"	1-1/16"	1-1/8"	1/2"	12
	CG50A560	1/2"	.450	.560	Green	1-5/16"	1-1/16"	1-1/8"	1/2"	10
	CG5050AM	1/2"	.500	.625	Pink	1-5/16"	1-1/16"	1-1/8"	1/2"	12
	CG5 (1)	1/2"	.560	.650	Brown	1-5/16"	1-1/16"	1-1/8"	1/2"	12
	CG50A650	1/2"	.560	.650	Brown	1-5/16"	1-1/16"	1-1/8"	1/2"	10
	CG75K 3/4" 150-.880	CG6250AM	1/2"	.625	.750	Orange	1-9/16"	1-1/4"	1-7/16"	1/2"
CG1275AM		3/4"	.125	.250	Blue	1-5/8"	1-1/4"	1-7/16"	9/16"	18
CG6 (1)		3/4"	.150	.250	Red	1-5/16"	1-3/16"	1-1/4"	1/2"	18
CG75A250		3/4"	.150	.250	Red	1-3/8"	1-3/16"	1-1/4"	9/16"	16
CG7 (1)		3/4"	.250	.350	White	1-5/16"	1-3/16"	1-1/4"	1/2"	18
CG75A350		3/4"	.250	.350	White	1-3/8"	1-3/16"	1-1/4"	9/16"	16
CG2575AM		3/4"	.250	.375	Green	1-5/8"	1-1/4"	1-7/16"	9/16"	18
CG8 (1)		3/4"	.350	.450	Blue	1-5/16"	1-3/16"	1-1/4"	1/2"	18
CG75A450		3/4"	.350	.450	Blue	1-3/8"	1-3/16"	1-1/4"	9/16"	16
CG3775AM		3/4"	.375	.500	Purple	1-5/8"	1-1/4"	1-7/16"	9/16"	18
CG9 (1)		3/4"	.450	.560	Green	1-5/16"	1-3/16"	1-1/4"	1/2"	18
CG75A560		3/4"	.450	.560	Green	1-3/8"	1-3/16"	1-1/4"	9/16"	16
CG7550AM		3/4"	.500	.625	Pink	1-5/8"	1-1/4"	1-7/16"	9/16"	18
CG10 (1)		3/4"	.560	.650	Brown	1-5/16"	1-3/16"	1-1/4"	1/2"	18
CG75A650		3/4"	.560	.650	Brown	1-3/8"	1-3/16"	1-1/4"	9/16"	16
CG6275AM		3/4"	.625	.750	Orange	1-5/8"	1-1/4"	1-7/16"	9/16"	18
CG11 (1)		3/4"	.650	.750	Yellow	1-9/16"	1-1/4"	1-7/16"	9/16"	20
CG75B750		3/4"	.650	.750	Yellow	1-5/8"	1-5/16"	1-3/8"	9/16"	18
CG12 (1)		3/4"	.750	.850	Purple	1-9/16"	1-1/4"	1-7/16"	9/16"	20
CG75B850		3/4"	.750	.850	Purple	1-5/8"	1-5/16"	1-3/8"	9/16"	18
CG7575AM	3/4"	.750	.875	Grey	1-5/8"	1-1/4"	1-7/16"	9/16"	18	
CG100K 1" 375-.750	CG37100AM	1"	.375	.500	Purple	1-3/4"	1-7/16"	1-1/2"	11/16"	26
	CG13 (1)	1"	.450	.560	Green	1-3/4"	1-7/16"	1-1/2"	11/16"	30
	CG100B560***	1"	.450	.560	Green	1-3/4"	1-7/16"	1-1/2"	11/16"	26
	CG50100AM	1"	.500	.625	Pink	1-3/4"	1-7/16"	1-1/2"	11/16"	26
	CG14 (1)	1"	.560	.650	Brown	1-3/4"	1-7/16"	1-1/2"	11/16"	30
	CG100B650***	1"	.560	.650	Brown	1-3/4"	1-7/16"	1-1/2"	11/16"	26
	CG62100AM	1"	.625	.750	Orange	1-3/4"	1-7/16"	1-1/2"	11/16"	26
	CG15 (1)	1"	.650	.750	Yellow	1-3/4"	1-7/16"	1-1/2"	11/16"	30
	CG100B750***	1"	.650	.750	Yellow	1-3/4"	1-7/16"	1-1/2"	11/16"	26
	CG16 (1)	1"	.750	.850	Purple	1-3/4"	1-7/16"	1-1/2"	11/16"	30
	CG100B850***	1"	.750	.850	Purple	1-3/4"	1-7/16"	1-1/2"	11/16"	26
	CG75100AM	1"	.750	.875	Grey	1-13/16"	1-1/2"	1-11/16"	5/8"	28
	CG17 (1)	1"	.850	.950	Grey	1-13/16"	1-1/2"	1-11/16"	11/16"	30
	CG100C950***	1"	.850	.950	Grey	1-3/4"	1-9/16"	1-5/8"	11/16"	28
	CG87100AM	1"	.875	1.000	Red	1-13/16"	1-1/2"	1-11/16"	5/8"	28
	CG18 (1)	1"	.950	1.050	Black	1-13/16"	1-1/2"	1-11/16"	11/16"	30
	CG100C1050***	1"	.950	1.050	Black	1-3/4"	1-9/16"	1-5/8"	11/16"	28
	CG100100AM	1"	1.000	1.125	Blue	1-13/16"	1-1/2"	1-11/16"	5/8"	28

(1) These Cat #'s are furnished with an installed locknut & sealing washer. All other items locknut & washer are sold separately.



Straight Cord Grip Connectors

Trade Sizes 1-1/4" to 3"

Dimensions - Table 2

Industrial SPEC-grade

CG KIT Cat #	Cat #	Trade Size	Cable Ranges		Grommet Color	A Length	B Hex	C Diameter	D NPT Thread Length	Wt. Per/C	
			Min	Max							
Each Kit Covers This Range	CG125C850	1-1/4"	.750	.850	Purple	1-7/8"	1-13/16"	1-7/8"	11/16"	44	
	CG19 (1)	1-1/4"	.750	.850	Purple	1-7/8"	1-13/16"	1-7/8"	11/16"	48	
	CG75125AM	1-1/4"	.750	.875	Grey	1-7/8"	1-7/8"	1-7/8"	11/16"	42	
	CG125C950	1-1/4"	.850	.950	Grey	1-7/8"	1-13/16"	1-7/8"	11/16"	44	
	CG20 (1)	1-1/4"	.850	.950	Grey	1-7/8"	1-13/16"	1-7/8"	11/16"	48	
	CG87125AM	1-1/4"	.875	1.000	Red	1-9/16"	1-5/8"	1-7/8"	11/16"	42	
	CG125D1050	1-1/4"	.950	1.050	Black	1-15/16"	2"	2-1/16"	11/16"	40	
	CG21 (1)	1-1/4"	.950	1.050	Black	1-7/8"	1-7/8"	2-1/8"	11/16"	46	
	CG100125AM	1-1/4"	1.000	1.125	Blue	1-7/8"	1-7/8"	1-7/8"	11/16"	40	
	CG125D1150	1-1/4"	1.050	1.150	Orange	1-15/16"	2"	2-1/16"	11/16"	40	
	CG22 (1)	1-1/4"	1.050	1.150	Orange	1-7/8"	1-7/8"	2-1/8"	11/16"	46	
	CG112125AM	1-1/4"	1.125	1.250	Brown	1-7/8"	1-7/8"	2-1/8"	11/16"	40	
	CG125D1250	1-1/4"	1.150	1.250	Red	1-15/16"	2"	2-1/16"	11/16"	40	
	CG23 (1)	1-1/4"	1.150	1.250	Red	1-7/8"	1-7/8"	2-1/8"	11/16"	46	
	CG125D1375	1-1/4"	1.250	1.375	White	1-15/16"	2"	2-1/16"	11/16"	40	
	CG24 (1)	1-1/4"	1.250	1.375	White	1-7/8"	1-7/8"	2-1/8"	11/16"	46	
	CG125125AM	1-1/4"	1.250	1.375	Green	1-7/8"	1-7/8"	2-1/8"	11/16"	40	
	CG137125AM	1-1/4"	1.375	1.500	Yellow	1-7/8"	1-7/8"	2-1/8"	11/16"	40	
	CG150K 1 1/2" 1.050-1.630	CG150D1050	1-1/2"	.950	1.050	Black	1-15/16"	2-3/16"	2-5/16"	3/4"	66
		CG25 (1)	1-1/2"	.950	1.050	Black	1-15/16"	2-3/16"	2-5/16"	11/16"	70
CG150D1150		1-1/2"	1.050	1.150	Orange	1-15/16"	2-3/16"	2-5/16"	3/4"	66	
CG26 (1)		1-1/2"	1.050	1.150	Orange	1-15/16"	2-3/16"	2-5/16"	11/16"	70	
CG150D1250		1-1/2"	1.150	1.250	Red	1-15/16"	2-3/16"	2-5/16"	3/4"	66	
CG27 (1)		1-1/2"	1.150	1.250	Red	1-15/16"	2-3/16"	2-5/16"	11/16"	70	
CG115150AM		1-1/2"	1.156	1.312	Purple	1-15/16"	2-3/16"	2-3/8"	11/16"	60	
CG150D1375		1-1/2"	1.250	1.375	White	1-15/16"	2-3/16"	2-5/16"	3/4"	66	
CG28 (1)		1-1/2"	1.250	1.375	White	1-15/16"	2-3/16"	2-5/16"	11/16"	70	
CG128150AM		1-1/2"	1.281	1.531	Pink	1-7/8"	2-3/16"	2-3/8"	11/16"	60	
CG150E1500		1-1/2"	1.380	1.500	Blue	2-1/8"	2-5/16"	2-3/8"	3/4"	60	
CG29 (1)		1-1/2"	1.380	1.500	Blue	2-1/8"	2-5/16"	2-3/8"	3/4"	66	
CG150E1630		1-1/2"	1.500	1.630	Green	2-1/8"	2-5/16"	2-3/8"	3/4"	60	
CG30 (1)		1-1/2"	1.500	1.630	Green	2-1/8"	2-5/16"	2-3/8"	3/4"	66	
CG150E1750		1-1/2"	1.630	1.750	Brown	2-1/8"	2-5/16"	2-3/8"	3/4"	60	
CG200K 2" 1.380-2.060		CG31 (1)	1-1/2"	1.630	1.750	Brown	2-1/8"	2-5/16"	2-3/8"	3/4"	66
	CG150E1880	1-1/2"	1.750	1.880	Purple	2-1/8"	2-5/16"	2-3/8"	3/4"	60	
	CG32 (1)	1-1/2"	1.750	1.880	Purple	2-1/8"	2-5/16"	2-3/8"	3/4"	66	
	CG200F1380	2"	1.250	1.380	Red	2-5/16"	2-13/16"	2-7/8"	3/4"	104	
	CG33 (1)	2"	1.250	1.380	Red	2-5/16"	2-13/16"	2-7/8"	3/4"	112	
	CG200F1500	2"	1.380	1.500	Blue	2-5/16"	2-13/16"	2-7/8"	3/4"	104	
	CG34 (1)	2"	1.380	1.500	Blue	2-5/16"	2-13/16"	2-7/8"	3/4"	112	
	CG200F1630	2"	1.500	1.630	Green	2-5/16"	2-13/16"	2-7/8"	3/4"	104	
	CG35 (1)	2"	1.500	1.630	Green	2-5/16"	2-13/16"	2-7/8"	3/4"	112	
	CG153200AM	2"	1.531	1.780	Orange	2-5/16"	2-13/16"	2-7/8"	3/4"	102	
	CG200F1750	2"	1.630	1.750	Brown	2-5/16"	2-13/16"	2-7/8"	3/4"	104	
	CG36 (1)	2"	1.630	1.750	Brown	2-5/16"	2-13/16"	2-7/8"	3/4"	112	
	CG200F1810	2"	1.690	1.810	Yellow	2-5/16"	2-13/16"	2-7/8"	3/4"	104	
	CG37 (1)	2"	1.690	1.810	Yellow	2-5/16"	2-13/16"	2-7/8"	3/4"	106	
	CG200F1880	2"	1.750	1.880	Purple	2-5/16"	2-13/16"	2-7/8"	3/4"	104	
	CG38 (1)	2"	1.750	1.880	Purple	2-5/16"	2-13/16"	2-7/8"	3/4"	106	
	CG200F1940	2"	1.810	1.940	White	2-5/16"	2-13/16"	2-7/8"	3/4"	104	
	CG39 (1)	2"	1.810	1.940	White	2-5/16"	2-13/16"	2-7/8"	3/4"	106	
	CG200F2060	2"	1.940	2.060	Orange	2-5/16"	2-13/16"	2-7/8"	3/4"	104	
	CG40 (1)	2"	1.940	2.060	Orange	2-5/16"	2-13/16"	2-7/8"	3/4"	106	
	NA	CG250G1965	2-1/2"	1.750	1.965	White	3"	3-1/4"	3-3/8"	1-1/8"	155
		CG250G2187	2-1/2"	1.970	2.185	Orange	3"	3-1/4"	3-3/8"	1-1/8"	155
CG250G2360		2-1/2"	2.150	2.365	Brown	3"	3-1/4"	3-3/8"	1-1/8"	155	
CG250G2565		2-1/2"	2.350	2.565	Green	3"	3-1/4"	3-3/8"	1-1/8"	155	
CG300H2365		3"	2.150	2.365	Brown	3-5/16"	3-15/16"	4"	1-1/8"	214	
CG300H2565		3"	2.350	2.565	Green	3-5/16"	3-15/16"	4"	1-1/8"	214	
CG300H2755		3"	2.540	2.755	Blue	3-5/16"	3-15/16"	4"	1-1/8"	214	
CG300H2985		3"	2.760	2.985	Grey	3-5/16"	3-15/16"	4"	1-1/8"	214	
CG300H3220	3"	2.995	3.220	Yellow	3-5/16"	3-15/16"	4"	1-1/8"	214		

Compliances:

Certified Made in the USA
 UL 514B, CSA Standard: C22.2 No. 18F
 NEMA Standard FB1 Rated Liquid Tight
 Federal Standard A-A-50553
 UL Rated Suitable for Hazardous Locations
 NEC: Class I, Division 2
 Class II, Divisions 1 and 2
 Class III, Divisions 1 and 2
 NEC 501-4(b), 505-4(a), 503-3(a)



Material Offerings by Size Range:

Alloy Steel: 3/8" - 3"
 Aluminum: CU-Free 1/2" - 1" Add Suffix AL to Cat #
 Stainless Steel: Type 316 1/2" - 1" Add Suffix SST to Cat #

RoHS and REACH Compliant
 CA Prop 65 Compliant
 UNSPC 39121719

(1) These Cat #'s are furnished with an installed locknut & sealing washer.
 All other items locknut & washer are sold separately.

Cord Grips 90° Connectors

Size Range: 1/2 - 1"

Product Series: CG Connectors Specification Grade

Material: Steel Construction with

Stainless Steel Material Option*

Grommet: Santoprene, UL 94 V-0 FDA Approved

Zinc Plated with a Chromate Finish

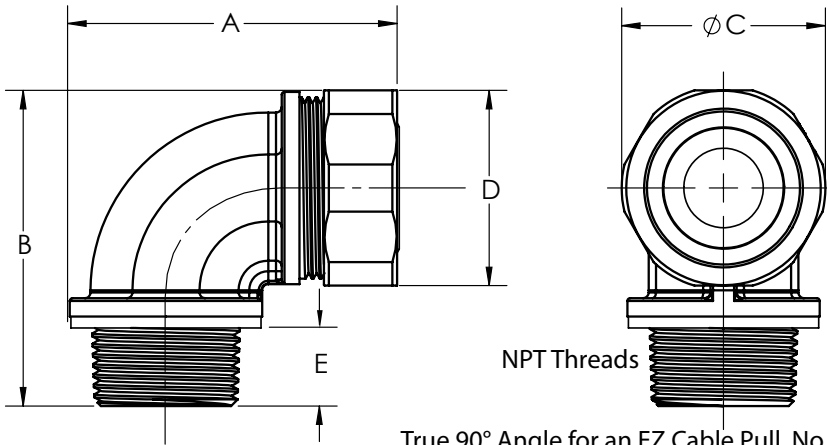
Made in the USA

Industrial SPEC-grade

Full FLAT HEX Surface with
EZ Torque Steel Compression Nut &
Steel Compression Ring
Torques Tight & Right on Cord



Options: Available
Sealing Washer & Locknut



True 90° Angle for an EZ Cable Pull. No sharp binding edges or burrs to snag your cable.

Cat #	Trade Size	Cable Ranges		A Length	B Height	C Diameter	D Hex	E Thread Length	Wt. Per/C
		Min	Max						
CG50A25090	1/2"	.150	.250	2-1/4"	1-13/16"	1-3/16"	1-1/8"	5/8"	24
CG50A35090	1/2"	.250	.350	2-1/4"	1-13/16"	1-3/16"	1-1/8"	5/8"	24
CG50A45090	1/2"	.350	.450	2-1/4"	1-13/16"	1-3/16"	1-1/8"	5/8"	24
CG50A56090	1/2"	.450	.560	2-1/4"	1-13/16"	1-3/16"	1-1/8"	5/8"	24
CG50A65090	1/2"	.560	.650	2-1/4"	1-13/16"	1-3/16"	1-1/8"	5/8"	24
CG75A25090	3/4"	.150	.250	2-1/2"	2-3/8"	1-7/16"	1-3/8"	5/8"	42
CG75A35090	3/4"	.250	.350	2-1/2"	2-3/8"	1-7/16"	1-3/8"	5/8"	42
CG75A45090	3/4"	.350	.450	2-1/2"	2-3/8"	1-7/16"	1-3/8"	5/8"	42
CG75A56090	3/4"	.450	.560	2-1/2"	2-3/8"	1-7/16"	1-3/8"	5/8"	42
CG75A65090	3/4"	.560	.650	2-1/2"	2-3/8"	1-7/16"	1-3/8"	5/8"	42
CG75B75090	3/4"	.650	.750	2-1/2"	2-1/4"	1-7/16"	1-3/8"	5/8"	36
CG75B85090	3/4"	.750	.850	2-1/2"	2-1/4"	1-7/16"	1-3/8"	5/8"	36
CG100B56090	1"	.450	.560	3"	2-3/4"	1-3/4"	1-11/16"	11/16"	72
CG100B65090	1"	.560	.650	3"	2-3/4"	1-3/4"	1-11/16"	11/16"	72
CG100B75090	1"	.650	.750	3"	2-3/4"	1-3/4"	1-11/16"	11/16"	72
CG100B85090	1"	.750	.850	3"	2-3/4"	1-3/4"	1-11/16"	11/16"	72
CG100C95090	1"	.850	.950	3-1/16"	2-3/4"	1-3/4"	1-11/16"	11/16"	68
CG100C105090	1"	.950	1.050	3-1/16"	2-3/4"	1-3/4"	1-11/16"	11/16"	68

Compliances:

Certified Made in the USA
UL 514B
NEMA Standard FB1 Rated Liquid Tight NPT Threads
Federal Standard A-A-50553
UL Rated Suitable for Hazardous Locations
NEC: Class I, Division 2
Class II, Divisions 1 and 2
Class III, Divisions 1 and 2
NEC 501-4(b), 505-4(a), 503-3(a)
CSA Standard: C22.2 No. 18F
RoHS and REACH Compliant
CA Prop 65 Compliant
UNSPC 39121719



Features:

Precision Machined Cut Threads NPT

Solid Grommet and Compression Ring Engages Cable Provides Exceptional Retention & Bend Radius

Available Options:

- * Material Option: For **T316 Stainless Steel** Add SST to Cat #
- Wire Mesh Strain Relief
- Locknuts and Sealing Washer

Cord Grips 45° Connectors

Size Range: 1/2 - 1"

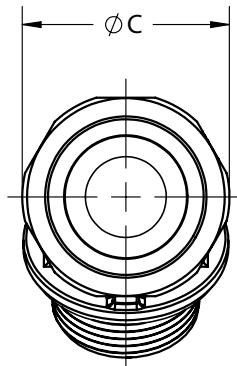
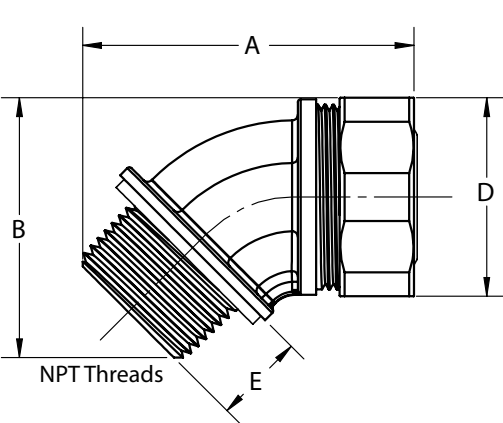
Product Series: CG Connectors Specification Grade

Material: Steel Construction with Zinc Plated with a Chromate Finish

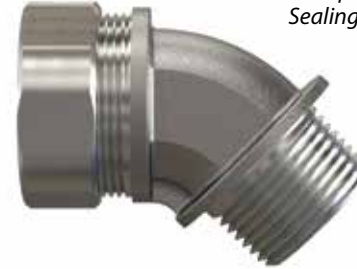
Grommet: Santoprene, UL 94 V-0 FDA Approved Full FLAT HEX Surface with EZ Torque Steel Compression Nut & Steel Compression Ring Torques Tight & Right on Cord

Made in the USA

Industrial SPEC-grade



Options: Available Sealing Washer & Locknut



True 45° Angle for an EZ Cable Pull. No sharp binding edges or burrs to snag your cable.

Cat #	Trade Size	Cable Ranges		A Length	B Height	C Diameter	D Hex	E Thread Length	Wt. Per/C
		Min	Max						
CG50A25045	1/2"	.150	.250	2-5/16"	1-15/16"	1-3/16"	1-1/8"	5/8"	22
CG50A35045	1/2"	.250	.350	2-5/16"	1-15/16"	1-3/16"	1-1/8"	5/8"	22
CG50A45045	1/2"	.350	.450	2-5/16"	1-15/16"	1-3/16"	1-1/8"	5/8"	22
CG50A56045	1/2"	.450	.560	2-5/16"	1-15/16"	1-3/16"	1-1/8"	5/8"	22
CG50A65045	1/2"	.560	.650	2-5/16"	1-15/16"	1-3/16"	1-1/8"	5/8"	22
CG75A25045	3/4"	.150	.250	2-9/16"	1-7/8"	1-7/16"	1-3/8"	5/8"	36
CG75A35045	3/4"	.250	.350	2-9/16"	1-7/8"	1-7/16"	1-3/8"	5/8"	36
CG75A45045	3/4"	.350	.450	2-9/16"	1-7/8"	1-7/16"	1-3/8"	5/8"	36
CG75A56045	3/4"	.450	.560	2-9/16"	1-7/8"	1-7/16"	1-3/8"	5/8"	36
CG75A65045	3/4"	.560	.650	2-9/16"	1-7/8"	1-7/16"	1-3/8"	5/8"	36
CG75B75045	3/4"	.650	.750	2-9/16"	1-7/8"	1-7/16"	1-3/8"	5/8"	30
CG75B85045	3/4"	.750	.850	2-9/16"	1-7/8"	1-7/16"	1-3/8"	5/8"	30
CG100B56045	1"	.450	.560	3"	2-3/16"	1-3/4"	1-11/16"	5/8"	60
CG100B65045	1"	.560	.650	3"	2-3/16"	1-3/4"	1-11/16"	5/8"	60
CG100B75045	1"	.650	.750	3"	2-3/16"	1-3/4"	1-11/16"	5/8"	60
CG100B85045	1"	.750	.850	3"	2-3/16"	1-3/4"	1-11/16"	5/8"	60
CG100C95045	1"	.850	.950	3"	2-3/16"	1-3/4"	1-11/16"	5/8"	64
CG100C105045	1"	.950	1.050	3"	2-3/16"	1-3/4"	1-11/16"	5/8"	64

Compliances:

Certified Made in the USA
 UL 514B
 NEMA Standard FB1 Rated Liquid Tight NPT Threads
 Federal Standard A-A-50553
 UL Rated Suitable for Hazardous Locations
 NEC: Class I, Division 2
 Class II, Divisions 1 and 2
 Class III, Divisions 1 and 2
 NEC 501-4(b), 505-4(a), 503-3(a)
 CSA Standard: C22.2 No. 18F
 RoHS and REACH Compliant
 CA Prop 65 Compliant
 UNSPC 39121719



Features:

Precision Machined Cut Threads NPT
 Solid Lock Grommet and Compression Ring Provide Exceptional Retention & Bend Radius

Available Options:

- Wire Mesh Strain Relief
- Locknuts and Sealing Washer