

Cord Grip Connectors

Size Range: 3/8" - 3"

Product Series: CG Series Cord Grip Cable Glands

**Materials: Alloy Steel Zinc Plated with Chromate Finish
Stainless Steel and Aluminum Material Option***

Applications:

SPEC-grade Cord Grip connectors or use with non-armored flexible cord non-armored glands are installed to provide a means for passing a cord, unarmored cable or flexible conduit into an enclosure. These cable glands are listed for use with flexible cords, including Type S, SO, STO, ST, SJ, SJT, SJTO and SVO. are the ideal choice for environment and applications where product integrity is your prime concern. AMFICO cord connectors are suitable and are currently used in many industries including; petroleum, food processing, chemical, wastewater treatment, HVAC, aerospace, electric power, automobile, paper mills, pumps.

CG Connectors are entirely manufactured in our factory in Fair Lawn, NJ. Precision machined from solid bar stock. There is not a stronger or more versatile cord connector made. Strong NPT threads ensured you are environmentally protected and protect against cord slide. Grommets are also manufactured by us in Fair Lawn, NJ, color-coded by cable range for identification.

Grommet material is Santoprene, Flame retardant: UV resistant and stabilized against copper and other metal-catalyzed degradation. Santoprene is UL 94 V-0 rated and UL 94 5VA rated. Detergent-resistant - Santoprene has excellent form and property

Also Available

CG Kits

1 Package Fits All Cable Ranges for EACH Trade Size

True Cut Threads NPT Threads
Precision Machined from
Solid Stainless Steel Bar Stock

UL Listed
Locknut &
Sealing Washer
Purchased Separately

NPT Threads

Solid Corrosion Resistant Alloy Steel Body ***
Precision Machine Cut Threads - Never Flatten, Never Cross
Consistent Centerline to Compression Nut
Guarantees Environmentally Sealing All Cords Correctly

Color Coded Sealing Grommet Santoprene*
Seat Precisely in Connector Body, are
Designed and Color Coded for SPECIFIC Cable Ranges.
Provides a Liquid Tight Connection.
Material Allows Cable to be Pulled Easily,
Yet Holds Irregular Cable Securely

EZ-Torque Hex Design Nut
Solid Alloy Steel Precision Machined
Compression Nut, Grips Tight & Right
Vibration Resistant
Chamfered Dome Sheds Moisture

Precision Machined Steel Compression Ring -
Prevents Distortion of the Sealing Grommet
Exclusive Engineered Design Slips on Quickly &
Grips the Jacket of the Cable, & Uniformly Compresses
Sealing Grommet. Assures a Perfect Moisture Seal, While
Fully Preventing Pullout Under Extreme Conditions

Operating Temperature Range (normal use): -20°C to +105°C (-4°F to +221°F)

Compliances:

Certified Made in the USA
UL 514B
NEMA Standard FB1 Rated Liquid Tight NPT Threads
Federal Standard A-A-50553
UL Rated Suitable for Hazardous Locations
NEC: Class I, Division 2
Class II, Divisions 1 and 2
Class III, Divisions 1 and 2
NEC 501-4(b), 505-4(a), 503-3(a)
CSA Standard: C22.2 No. 18F
RoHS and REACH Compliant
CA Prop 65 Compliant
UNSPC 39121719



Options:

Size Range by Material Offering:
* Alloy Steel 3/8" - 3"
* Aluminum - Copper-Free 1/2" - 1" Add Suffix AL to Cat #
* Stainless Steel Type 316 1/2" - 1" Add Suffix SST Cat#

CG Kits 1/2"-1" Stl, SS and Aluminum One Kit Fits Entire Range

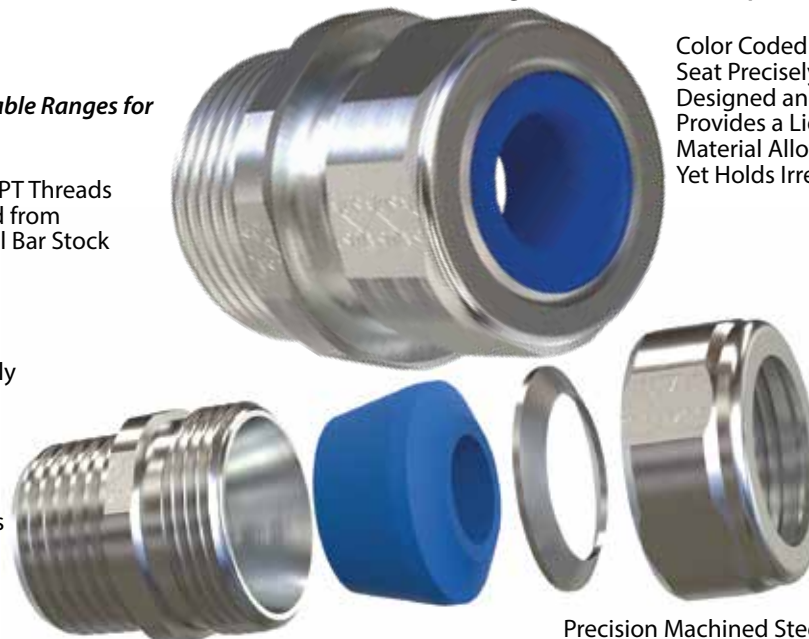
All CG Series Configurations Available:

Straights, 90°, 45°, Wire Mesh Strain Relief Grip
Connectors with Multiple Hole Cable Entry
TYPE SE Service Entrance Flat Cable Connectors
Non-Metallic Cord Grip Connectors

Locknuts Nuts & Sealing Washers Available Sold Separately



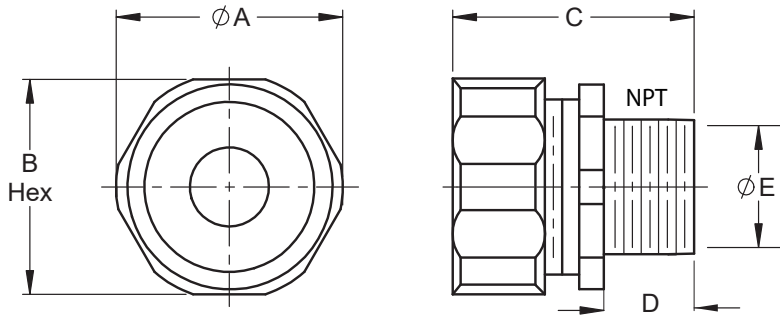
Industrial SPEC-grade



Straight Cord Grip Connectors

Trade Sizes 3/8" to 1"

Industrial SPEC-grade



Dimensions - Table 1

CG KIT Cat #	Cat #	Trade Size	Cable Ranges		Grommet Color	A Diameter	B Hex	C Length	D NPT Thread Length	Wt. Per/C
			Min	Max						
Each Kit Covers This Range	CG1238AM	3/8"	.125	.187	Red	1-1/4"	7/8"	15/16"	7/16"	8
	CG1838AM	3/8"	.187	.312	Brown	1-1/4"	7/8"	15/16"	7/16"	8
	CG3138AM	3/8"	.312	.437	Yellow	1-1/4"	7/8"	15/16"	7/16"	8
	CG1250AM	1/2"	.125	.187	Red	1-5/16"	1-1/16"	1-1/8"	1/2"	12
	CG1 (1)	1/2"	.150	.250	Red	1-5/16"	1-1/16"	1-1/8"	1/2"	12
	CG50A250	1/2"	.150	.250	Red	1-5/16"	1-1/16"	1-1/8"	1/2"	10
	CG1850AM	1/2"	.187	.312	Brown	1-5/16"	1-1/16"	1-1/8"	1/2"	12
	CG2 (1)	1/2"	.250	.350	White	1-5/16"	1-1/16"	1-1/8"	1/2"	12
	CG50A350	1/2"	.250	.350	White	1-5/16"	1-1/16"	1-1/8"	1/2"	10
	CG3150AM	1/2"	.312	.437	Yellow	1-5/16"	1-1/16"	1-1/8"	1/2"	12
	CG3150AM	1/2"	.312	.437	Yellow	1-1/4"	7/8"	15/16"	7/16"	8
	CG3 (1)	1/2"	.350	.450	Blue	1-5/16"	1-1/16"	1-1/8"	1/2"	12
	CG50A450	1/2"	.350	.450	Blue	1-5/16"	1-1/16"	1-1/8"	1/2"	10
	CG3750AM	1/2"	.375	.500	Purple	1-5/16"	1-1/16"	1-1/8"	1/2"	12
	CG4 (1)	1/2"	.450	.560	Green	1-5/16"	1-1/16"	1-1/8"	1/2"	12
	CG50A560	1/2"	.450	.560	Green	1-5/16"	1-1/16"	1-1/8"	1/2"	10
	CG5050AM	1/2"	.500	.625	Pink	1-5/16"	1-1/16"	1-1/8"	1/2"	12
	CG5 (1)	1/2"	.560	.650	Brown	1-5/16"	1-1/16"	1-1/8"	1/2"	12
	CG50A650	1/2"	.560	.650	Brown	1-5/16"	1-1/16"	1-1/8"	1/2"	10
	CG50K 1/2" .150-.650	CG6250AM	1/2"	.625	.750	Orange	1-9/16"	1-1/4"	1-7/16"	1/2"
CG1275AM		3/4"	.125	.250	Blue	1-5/8"	1-1/4"	1-7/16"	9/16"	18
CG6 (1)		3/4"	.150	.250	Red	1-5/16"	1-3/16"	1-1/4"	1/2"	18
CG75A250		3/4"	.150	.250	Red	1-3/8"	1-3/16"	1-1/4"	9/16"	16
CG7 (1)		3/4"	.250	.350	White	1-5/16"	1-3/16"	1-1/4"	1/2"	18
CG75A350		3/4"	.250	.350	White	1-3/8"	1-3/16"	1-1/4"	9/16"	16
CG2575AM		3/4"	.250	.375	Green	1-5/8"	1-1/4"	1-7/16"	9/16"	18
CG8 (1)		3/4"	.350	.450	Blue	1-5/16"	1-3/16"	1-1/4"	1/2"	18
CG75A450		3/4"	.350	.450	Blue	1-3/8"	1-3/16"	1-1/4"	9/16"	16
CG3775AM		3/4"	.375	.500	Purple	1-5/8"	1-1/4"	1-7/16"	9/16"	18
CG9 (1)		3/4"	.450	.560	Green	1-5/16"	1-3/16"	1-1/4"	1/2"	18
CG75A560		3/4"	.450	.560	Green	1-3/8"	1-3/16"	1-1/4"	9/16"	16
CG7550AM		3/4"	.500	.625	Pink	1-5/8"	1-1/4"	1-7/16"	9/16"	18
CG10 (1)		3/4"	.560	.650	Brown	1-5/16"	1-3/16"	1-1/4"	1/2"	18
CG75A650		3/4"	.560	.650	Brown	1-3/8"	1-3/16"	1-1/4"	9/16"	16
CG6275AM		3/4"	.625	.750	Orange	1-5/8"	1-1/4"	1-7/16"	9/16"	18
CG11 (1)		3/4"	.650	.750	Yellow	1-9/16"	1-1/4"	1-7/16"	9/16"	20
CG75B750		3/4"	.650	.750	Yellow	1-5/8"	1-5/16"	1-3/8"	9/16"	18
CG12 (1)		3/4"	.750	.850	Purple	1-9/16"	1-1/4"	1-7/16"	9/16"	20
CG75B850		3/4"	.750	.850	Purple	1-5/8"	1-5/16"	1-3/8"	9/16"	18
CG7575AM	3/4"	.750	.875	Grey	1-5/8"	1-1/4"	1-7/16"	9/16"	18	
CG100K 1" .375-.750	CG37100AM	1"	.375	.500	Purple	1-3/4"	1-7/16"	1-1/2"	11/16"	26
	CG13 (1)	1"	.450	.560	Green	1-3/4"	1-7/16"	1-1/2"	11/16"	30
	CG100B560***	1"	.450	.560	Green	1-3/4"	1-7/16"	1-1/2"	11/16"	26
	CG50100AM	1"	.500	.625	Pink	1-3/4"	1-7/16"	1-1/2"	11/16"	26
	CG14 (1)	1"	.560	.650	Brown	1-3/4"	1-7/16"	1-1/2"	11/16"	30
	CG100B650***	1"	.560	.650	Brown	1-3/4"	1-7/16"	1-1/2"	11/16"	26
	CG62100AM	1"	.625	.750	Orange	1-3/4"	1-7/16"	1-1/2"	11/16"	26
	CG15 (1)	1"	.650	.750	Yellow	1-3/4"	1-7/16"	1-1/2"	11/16"	30
	CG100B750***	1"	.650	.750	Yellow	1-3/4"	1-7/16"	1-1/2"	11/16"	26
	CG16 (1)	1"	.750	.850	Purple	1-3/4"	1-7/16"	1-1/2"	11/16"	30
	CG100B850***	1"	.750	.850	Purple	1-3/4"	1-7/16"	1-1/2"	11/16"	26
	CG75100AM	1"	.750	.875	Grey	1-13/16"	1-1/2"	1-11/16"	5/8"	28
	CG17 (1)	1"	.850	.950	Grey	1-13/16"	1-1/2"	1-11/16"	11/16"	30
	CG100C950***	1"	.850	.950	Grey	1-3/4"	1-9/16"	1-5/8"	11/16"	28
	CG87100AM	1"	.875	1.000	Red	1-13/16"	1-1/2"	1-11/16"	5/8"	28
	CG18 (1)	1"	.950	1.050	Black	1-13/16"	1-1/2"	1-11/16"	11/16"	30
	CG100C1050***	1"	.950	1.050	Black	1-3/4"	1-9/16"	1-5/8"	11/16"	28
	CG100100AM	1"	1.000	1.125	Blue	1-13/16"	1-1/2"	1-11/16"	5/8"	28

(1) These Cat #'s are furnished with an installed locknut & sealing washer.
All other items locknut & washer are sold separately.



Straight Cord Grip Connectors

Trade Sizes 1-1/4" to 3"

Dimensions - Table 2

Industrial SPEC-grade

CG KIT Cat #	Cat #	Trade Size	Cable Ranges		Grommet Color	A Diameter	B Hex	C Length	D NPT Thread Length	Wt. Per/C
			Min	Max						
Each Kit Covers This Range	CG125C850	1-1/4"	.750	.850	Purple	1-7/8"	1-13/16"	1-7/8"	11/16"	44
	CG19 (1)	1-1/4"	.750	.850	Purple	1-7/8"	1-13/16"	1-7/8"	11/16"	48
	CG75125AM	1-1/4"	.750	.875	Grey	1-7/8"	1-7/8"	1-7/8"	11/16"	42
	CG125C950	1-1/4"	.850	.950	Grey	1-7/8"	1-13/16"	1-7/8"	11/16"	44
	CG20 (1)	1-1/4"	.850	.950	Grey	1-7/8"	1-13/16"	1-7/8"	11/16"	48
	CG87125AM	1-1/4"	.875	1.000	Red	1-9/16"	1-5/8"	1-7/8"	11/16"	42
	CG125D1050	1-1/4"	.950	1.050	Black	1-15/16"	2"	2-1/16"	11/16"	40
	CG21 (1)	1-1/4"	.950	1.050	Black	1-7/8"	1-7/8"	2-1/8"	11/16"	46
	CG100125AM	1-1/4"	1.000	1.125	Blue	1-7/8"	1-7/8"	1-7/8"	11/16"	40
	CG125D1150	1-1/4"	1.050	1.150	Orange	1-15/16"	2"	2-1/16"	11/16"	40
	CG22 (1)	1-1/4"	1.050	1.150	Orange	1-7/8"	1-7/8"	2-1/8"	11/16"	46
	CG112125AM	1-1/4"	1.125	1.250	Brown	1-7/8"	1-7/8"	2-1/8"	11/16"	40
	CG125D1250	1-1/4"	1.150	1.250	Red	1-15/16"	2"	2-1/16"	11/16"	40
	CG23 (1)	1-1/4"	1.150	1.250	Red	1-7/8"	1-7/8"	2-1/8"	11/16"	46
	CG125D1375	1-1/4"	1.250	1.375	White	1-15/16"	2"	2-1/16"	11/16"	40
	CG24 (1)	1-1/4"	1.250	1.375	White	1-7/8"	1-7/8"	2-1/8"	11/16"	46
	CG125125AM	1-1/4"	1.250	1.375	Green	1-7/8"	1-7/8"	2-1/8"	11/16"	40
	CG137125AM	1-1/4"	1.375	1.500	Yellow	1-7/8"	1-7/8"	2-1/8"	11/16"	40
CG150K 1 1/2" 1.050-1.630	CG150D1050	1-1/2"	.950	1.050	Black	1-15/16"	2-3/16"	2-5/16"	3/4"	66
	CG25 (1)	1-1/2"	.950	1.050	Black	1-15/16"	2-3/16"	2-5/16"	11/16"	70
	CG150D1150	1-1/2"	1.050	1.150	Orange	1-15/16"	2-3/16"	2-5/16"	3/4"	66
	CG26 (1)	1-1/2"	1.050	1.150	Orange	1-15/16"	2-3/16"	2-5/16"	11/16"	70
	CG150D1250	1-1/2"	1.150	1.250	Red	1-15/16"	2-3/16"	2-5/16"	3/4"	66
	CG27 (1)	1-1/2"	1.150	1.250	Red	1-15/16"	2-3/16"	2-5/16"	11/16"	70
	CG115150AM	1-1/2"	1.156	1.312	Purple	1-15/16"	2-3/16"	2-3/8"	11/16"	60
	CG150D1375	1-1/2"	1.250	1.375	White	1-15/16"	2-3/16"	2-5/16"	3/4"	66
	CG28 (1)	1-1/2"	1.250	1.375	White	1-15/16"	2-3/16"	2-5/16"	11/16"	70
	CG128150AM	1-1/2"	1.281	1.531	Pink	1-7/8"	2-3/16"	2-3/8"	11/16"	60
	CG150E1500	1-1/2"	1.380	1.500	Blue	2-1/8"	2-5/16"	2-3/8"	3/4"	60
	CG29 (1)	1-1/2"	1.380	1.500	Blue	2-1/8"	2-5/16"	2-3/8"	3/4"	66
	CG150E1630	1-1/2"	1.500	1.630	Green	2-1/8"	2-5/16"	2-3/8"	3/4"	60
	CG30 (1)	1-1/2"	1.500	1.630	Green	2-1/8"	2-5/16"	2-3/8"	3/4"	66
	CG150E1750	1-1/2"	1.630	1.750	Brown	2-1/8"	2-5/16"	2-3/8"	3/4"	60
	CG31 (1)	1-1/2"	1.630	1.750	Brown	2-1/8"	2-5/16"	2-3/8"	3/4"	66
	CG150E1880	1-1/2"	1.750	1.880	Purple	2-1/8"	2-5/16"	2-3/8"	3/4"	60
	CG32 (1)	1-1/2"	1.750	1.880	Purple	2-1/8"	2-5/16"	2-3/8"	3/4"	66
CG200K 2" 1.380-2.060	CG200F1380	2"	1.250	1.380	Red	2-5/16"	2-13/16"	2-7/8"	3/4"	104
	CG33 (1)	2"	1.250	1.380	Red	2-5/16"	2-13/16"	2-7/8"	3/4"	112
	CG200F1500	2"	1.380	1.500	Blue	2-5/16"	2-13/16"	2-7/8"	3/4"	104
	CG34 (1)	2"	1.380	1.500	Blue	2-5/16"	2-13/16"	2-7/8"	3/4"	112
	CG200F1630	2"	1.500	1.630	Green	2-5/16"	2-13/16"	2-7/8"	3/4"	104
	CG35 (1)	2"	1.500	1.630	Green	2-5/16"	2-13/16"	2-7/8"	3/4"	112
	CG153200AM	2"	1.531	1.780	Orange	2-5/16"	2-13/16"	2-7/8"	3/4"	102
	CG200F1750	2"	1.630	1.750	Brown	2-5/16"	2-13/16"	2-7/8"	3/4"	104
	CG36 (1)	2"	1.630	1.750	Brown	2-5/16"	2-13/16"	2-7/8"	3/4"	112
	CG200F1810	2"	1.690	1.810	Yellow	2-5/16"	2-13/16"	2-7/8"	3/4"	104
	CG37 (1)	2"	1.690	1.810	Yellow	2-5/16"	2-13/16"	2-7/8"	3/4"	106
	CG200F1880	2"	1.750	1.880	Purple	2-5/16"	2-13/16"	2-7/8"	3/4"	104
	CG38 (1)	2"	1.750	1.880	Purple	2-5/16"	2-13/16"	2-7/8"	3/4"	106
	CG200F1940	2"	1.810	1.940	White	2-5/16"	2-13/16"	2-7/8"	3/4"	104
	CG39 (1)	2"	1.810	1.940	White	2-5/16"	2-13/16"	2-7/8"	3/4"	106
	CG200F2060	2"	1.940	2.060	Orange	2-5/16"	2-13/16"	2-7/8"	3/4"	104
	CG40 (1)	2"	1.940	2.060	Orange	2-5/16"	2-13/16"	2-7/8"	3/4"	106
	NA	CG250G1965	2-1/2"	1.750	1.965	White	3"	3-1/4"	3-3/8"	1-1/8"
CG250G2187		2-1/2"	1.970	2.185	Orange	3"	3-1/4"	3-3/8"	1-1/8"	155
CG250G2360		2-1/2"	2.150	2.365	Brown	3"	3-1/4"	3-3/8"	1-1/8"	155
CG250G2565		2-1/2"	2.350	2.565	Green	3"	3-1/4"	3-3/8"	1-1/8"	155
CG300H2365		3"	2.150	2.365	Brown	3-5/16"	3-15/16"	4"	1-1/8"	214
CG300H2565		3"	2.350	2.565	Green	3-5/16"	3-15/16"	4"	1-1/8"	214
CG300H2755		3"	2.540	2.755	Blue	3-5/16"	3-15/16"	4"	1-1/8"	214
CG300H2985		3"	2.760	2.985	Grey	3-5/16"	3-15/16"	4"	1-1/8"	214
CG300H3220		3"	2.995	3.220	Yellow	3-5/16"	3-15/16"	4"	1-1/8"	214

Compliances:

- Certified Made in the USA
- UL 514B, CSA Standard: C22.2 No. 18F
- NEMA Standard FB1 Rated Liquid Tight
- Federal Standard A-A-50553
- UL Rated Suitable for Hazardous Locations
- NEC: Class I, Division 2
- Class II, Divisions 1 and 2
- Class III, Divisions 1 and 2
- NEC 501-4(b), 505-4(a), 503-3(a)



Material Offerings by Size Range:

- Alloy Steel: 3/8" - 3"
- Aluminum: CU-Free 1/2" - 1" Add Suffix AL to Cat #
- Stainless Steel: Type 316 1/2" - 1" Add Suffix SST to Cat #

- RoHS and REACH Compliant
- CA Prop 65 Compliant
- UNSPC 39121719

(1) These Cat #'s are furnished with an installed locknut & sealing washer. All other items locknut & washer are sold separately.

Want Greater Flexibility ?

CONSIDER OUR CORD GRIP KITS

**JOB READY
1/2" to 2"**

Cord Grip Connector KITS

Size Range: 1/2" to 2"

Product Series: CGK Series Cord Grip Cable Glands

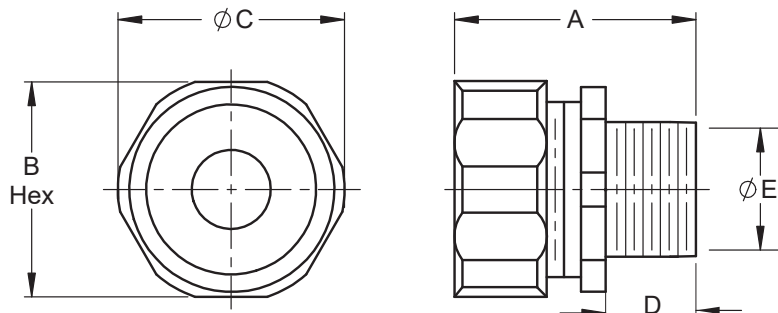
Materials: Alloy Steel Zinc Plated with Chromate Finish

T316 Stainless Steel and Aluminum (CU Free) Material Options*

Made in the USA



Industrial SPEC-grade



NPT
Threads

Cat # *	Trade / Hub Size	Each Kit Provides a Cable OD Range of Min" to Max"	A Length	B Hex	C Dia	D Thrd. Lgth.	E Dia
CG50K	1/2"	0.125 to 0.650	1 1/4"	7/8"	15/16"	7/16"	5/8"
CG75K	3/4"	0.125 to 0.880	1 3/8"	1 3/16"	1 3/8"	9/16"	13/16"
CG100K	1"	0.375 to 1.065	1 3/4"	1 7/16"	1 1/2"	11/16"	15/16"
CG125K	1 1/4"	0.750 to 1.500	1 15/16"	2"	2 1/16"	11/16"	1-3/8"
CG150K	1 1/2"	1.050 to 1.630	2 1/8"	2 5/16"	2 3/8"	3/4"	1-5/8"
CG200K	2"	1.380 to 2.060	2 5/16"	2 13/16"	2 7/8"	3/4"	2-1/16"

*Add AL to Cat # for Aluminum Cord Grips
Add SST to Cat# for Stainless Steel

All CG Grommets are molded by American Fittings in NJ.
Grommets are Santoprene an FDA Approved material.

Precision Machined Construction from Solid Bar Stock
NPT Threads for a Liquid Tight Fit
Provides Strain Relief with True Arc of Bend Radius
Dome Compression Nut Sheds Liquids
EZ Hex Compression Nut for Full Torque Values

Each Kit Contains:
1 Fully Assembled Cord Grip
Numerous Grommets to Precisely Fit Your Cable.
Color Coded Chart for Sizes Included in Each Kit



One Package Has Your Cords Covered!

Simply select the grommet that best fits your cable OD.

Compliances:

- Certified Made in the USA
- UL 514B
- NEMA Standard FB1 Rated Liquid Tight
- Federal Standard A-A-50553
- Grommet Santoprene UL 94V-0 FDA Approved
- UL Rated Suitable for Hazardous Locations
- NEC: Class I, Division 2
- Class II, Divisions 1 and 2
- Class III, Divisions 1 and 2
- NEC 501-4(b), 505-4(a), 503-3(a)
- CSA Standard: C22.2 No. 18F
- RoHS and REACH Compliant
- CA Prop 65 Compliant
- UNSPC 39121719



Locknuts and Sealing Washers Sold Separately



Since 1946

Cord Grip Connector KITS

One Package, One Price, One SKU It's that Simple!

Liquid **Tight** Seal with Strain Relief Retention
Featuring AMFICO **EZ Torque** Hex Head Nuts
Precision Machined from Solid Bar Stock

Kits are Available in Alloy Steel, Stainless, and Aluminum*



Each AMFICO Kit Will Replace Competitor Cat #'s As Shown

AMFICO CG KITS Each Kit Covers This Range	T & B Cat #	Appleton Cat #	Hubbell Cat #	CCH Cat #	Remke Cat #
1/2" Hub .125-.650 Cord Range Cat # - CG50K	2520	CG-1250S	3702-1	CG50 250	RSRS-103
	2521	CG-1850S	3702-2	CG50 350	RSRS-104
	2522	CG-3150S	3702-3	CG50 450	RSRS-105
	2523	CG-3750S	3702-4	CG50 560	RSRS-106
	2524	CG-5050S	3702-5	CG50 650	RSRS-107
				3702-6	
3/4" Hub .125-.880 Cord Range Cat # - CG75K	2530	CG-1275S	3703-1	CG75 250	RSRS-208
	2531	CG-2575S	3703-2	CG75 350	RSRS-209
	2532	CG-3775S	3703-3	CG75 450	RSRS-210
	2534	CG-5075S	3703-4	CG75 560	RSRS-211
	2535	CG-6275S	3703-6	CG75 650	RSRS-212
	2536	CG-7575S	3703-5	CG75 750	RSRS-213
1" Hub .375-1.125 Cord Range Cat # - CG100K	2541	CG-37100S			RSRS-309
	2542	CG-50100S	3704-1	CG100 560	RSRS-310
	2544	CG-62100S	3704-2	CG100 650	RSRS-311
	2545	CG-75100S	3704-3	CG100 750	RSRS-312
	2546	CG-87100S		CG100 850	RSRS-313
	2547	CG-100100S		CG100 950	RSRS-313
	2548			CG100 1050	RSRS-314
					RSRS-315
1 1/4" Hub .750-1.500 Cord Range Cat # CG125K	2257	CG-75125	SHC1050	CG125 850	RSR-414
	2558	CG-87125	SHC1051	CG125 950	RSR-416
	2559	CG-100125	SHC1052	CG125 1050, 1150	RSR-418
	2556	CG-112125	SHC1053	CG125 1250	RSR-420
	2556	CG125125	SHC1054	CG125 1375	RSR-422
	2557	CG137125			
1 1/2" Hub 1.050- 1.630 Cord Range Cat # CG150K	2574		SHC1066	CGB Series	RSR-623
	2574		SHC1067		RSR-625, 627
	2575	CG-115150	SHC1068		RSR-629
	2575	CG-115150	SHC1069		RSR-629
	2576	CG-125150	SHC1071		RSR-6731
	2577		SHC1072		RSR-6733
2" Hub 1.380-2.060 Cord Range Cat # CG 200K	2574		SHC1066	CGB Series	RSR-623
	2574	CG-153200	SHC1067		RSR-625, 627
	2575	CG-153200	SHC1068		RSR-629
	2575	CG-165200	SHC1069		RSR-629
	2576	CG-165200	SHC1071		RSR-6731
	2577	CG-165200	SHC1072		RSR-6733

*** Add Suffix AL to Cat # for Aluminum or SST for Stainless Steel Construction**

rev: 01.2024.1