

Grounding Insulated Bushings w/ Lay In Grounding Lug Product Overview (1)

Product Series: GB Grounding Bushings Threaded 1/2" to 4" Trade Sizes
Furnished with Factory Installed AL Lay-In Grounding Lug*
Material: Solid Alloy Steel Construction (AL Option)
Zinc Plated with Chromate Finish (Galvanizing Option)
Made in the USA
Twice the Strength, Durability and Suitability than Cast or Malleable Iron

Fully Precision Machined Surface
with Cut Machined Threads
Will Not Flatten or Cross
Smooth Burrless Surface for
Fast & Safe Wire Pulls

Set Screw for
Bonding to Conduit **



Alloy Steel
Zinc Plated with
Chromate Finish (Galvanized Option)
Full Hex Surfaces Allows
EZ Tightening to
Full Torque Values

*UL Listed, AL Lay-In Grounding Lug
Lug Options:
Wire Capacity Range #14 to 250mcm
Available in Copper or Tin Plated Copper

Factory Installed CAPTIVE Insulator
Exceeds UL Requirements for Push Out
Low Surface Friction - Wires Can Be
Pulled Fast With Virtually No Abrasion
On Cable Insulation
Insulated Throat Bushing is UV Stabilized, 150°C Rated
UL V-0 Self Extinguishing
In Normal Use, Will not Chip, Crack, Swell or Shrink
Excellent Wear & Friction Properties
1/2" to 2" PA (Polyamide) UL Listed
2 1/2" to 4" PEI (Polyetherimide) UL Listed



Set Screw for
Bonding to Conduit**

Set Screws & Attachment Screw
Machined Zinc Plated Steel Screws
Option: T304- Stainless Steel Screws

1/2" - 2" Furnished with 1 set screw
2 1/2" - 4" Furnished with 2 set screws
On Threaded Bushings Set Screws Provide
Redundant Locking

** 3 Machine Cut Fully Threaded Hole
120° Apart Provides EZ Location and
Positioning of Ground Lug, Eliminates
Twisting G-Wire and Fast Inspections

Attachment Screw for Mounting the Lug
to the Bushing - Move and Reposition to
Accomodate EZ Wiring of the Lug

Ground Bushings Steel Thr'd w/Lug

Size Range: 1/2" - 4"

Product Series: GB Grounding Bushings Threaded

Furnished with Factory Installed AL Lay In Grounding Lug*

Material: Solid Alloy Steel Construction

Zinc Plated with Chromate Finish**

Made in the USA

Solid Steel Construction with Factory Installed Insulator

Precision Fully Machined Body with Cut Threads

Flat Hex Surface for Full Torque Values

105° C Rated, UV Stabilized Insulator Throat Bushing

Twice the Strength and Durability of Die Cast & Malleable Iron

Low Surface Friction - Wires Can Be Pulled Fast With Virtually No Abrasion On Cable Insulation

Industrial SPEC-grade

For Use On Threaded Rigid/imc Conduit to Provide a Means of Grounding Threaded Conduit Through an Insulated Bushing.



EZ Wiring
3 Thr'd Machined Holes to Accommodate Lug Orientation

Steel Set Screws in Machined Threaded Holes
Vibration Resistant

EZ Installation & Wiring Move Lug to Avoid Interference and Speed Wiring

Wire Tightening Engagement Screw

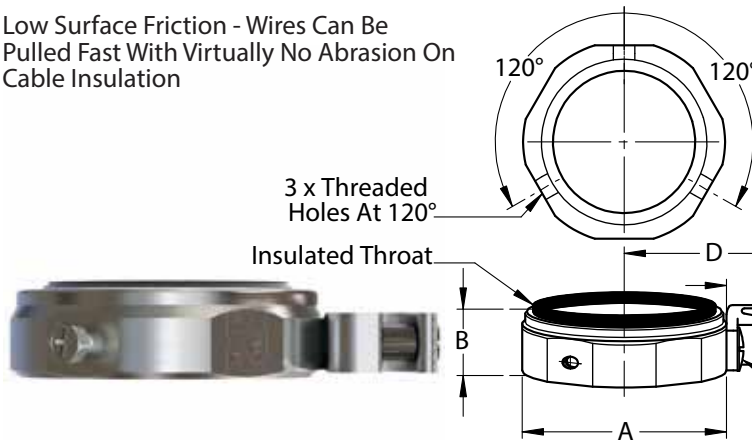
Set Screws Steel Zinc Plated: *Stainless Steel Option Available*

1- Attachment Screw for Mounting the Lug

Set Screws for Bonding to Conduit

1/2" - 2" furnished with 1 set screw

2 1/2" - 4" furnished with 2 set screws



3 x Threaded Holes At 120°

Insulated Throat

B

D

C

A



Cat # (1)	Trade Size	Ø A	B	C	D	Lug Wire Range		Wt. Per/C
						Min Solid	Max Strand	
GB50BGL	1/2"	1-1/16"	5/8"	3/4"	1-5/16"	#14	#4	8
GB75BGL	3/4"	1-1/4"	5/8"	3/4"	1-3/8"	#14	#4	8
GB75BGL-0	3/4"	1-1/4"	5/8"	1-1/8"	1-11/16"	#8	#1/0	17
GB100BGL	1"	1-1/2"	3/4"	3/4"	1-1/2"	#14	#4	11
GB100BGL-0	1"	1-1/2"	3/4"	1-1/8"	1-7/8"	#8	#1/0	20
GB125BGL	1-1/4"	1-7/8"	3/4"	3/4"	1-11/16"	#14	#4	17
GB125BGL-0	1-1/4"	1-7/8"	3/4"	1-1/8"	2-1/16"	#8	#1/0	26
GB150BGL	1-1/2"	2-1/16"	3/4"	3/4"	1-13/16"	#14	#4	21
GB150BGL-0	1-1/2"	2-1/16"	3/4"	1-1/8"	2-1/8"	#8	#1/0	30
GB200BGL	2"	2-11/16"	3/4"	3/4"	2-1/6"	#14	#4	28
GB200BGL-0	2"	2-11/16"	3/4"	1-1/8"	2-3/8"	#8	#1/0	36
GB250BGL	2-1/2"	3-7/16"	1-1/16"	1-3/16"	2-13/16"	#14	#1/0	77
GB250BGL-250	2-1/2"	3-7/16"	1-1/16"	1-11/16"	3-3/8"	#6	250 MCM	90
GB300BGL	3"	4"	1-1/16"	1-3/16"	3-1/8"	#14	#1/0	89
GB300BGL-250	3"	4"	1-1/16"	1-11/16"	3-11/16"	#6	250 MCM	105
GB350BGL	3-1/2"	4-1/2"	1-1/16"	1-3/16"	3-3/8"	#14	#1/0	110
GB350BGL-250	3-1/2"	4-1/2"	1-1/16"	1-11/16"	3-15/16"	#6	250 MCM	124
GB400BGL	4"	5-1/8"	1-1/16"	1-3/16"	3-15/16"	#14	#1/0	121
GB400BGL-250	4"	5-1/8"	1-1/16"	1-11/16"	4-3/16"	#6	250 MCM	135

Compliances:

Certified Made in the USA

UL 514B, 467, NEMA FB1

Insulated Throat Bushing is UV Stabilized & 150° C Rated In Normal Use, Will not Chip, Crack, Swell or Shrink

Excellent Wear & Friction Properties

1/2" to 2" PA (Polyamide) UL Listed

2 1/2" to 4" PEI (Polyetherimide) UL Listed

Federal Standard A-A-50553

CSA Standard: C22.2 No. 18F

RoHS Compliant

REACH Compliant

CA Prop 65 Compliant

UNSPSC 39121312



(1) Available Options:

Aluminum Construction for Aluminum Conduit - See Catalog Page GBAL

*** Grounding Lug Options:**

Copper Lug Add Suffix CU to Cat #

Consult Factory for Tin Plated Aluminum Lugs

Other Wire Lug Sizes Consult Factory

Set Screws & Attachment Screw Option:

Stainless Steel Set Screws Consult Factory

**** Galvanized Plating Option:**

For this Option, Add Suffix "G" to Above Cat Number

Ground Bushings Steel Thr'd w/Lug

Size Range: 1/2" - 4"

Product Series: GB Grounding Bushings Threaded
Furnished with Factory Installed AL Lay In Grounding Lug*

Material: Solid Alloy Steel Construction

Zinc Plated with Chromate Finish**

Stainless Steel Set & Attachment Screws

Made in the USA

Solid Steel Construction with Factory Installed Insulator

Precision Fully Machined Body with Cut Threads

Flat Hex Surface for Full Torque Values

150°C Rated, UV Stabilized Insulator Throat Bushing

Twice the Strength and Durability of Die Cast & Malleable Iron

Low Surface Friction - Wires Can Be Pulled Fast With Virtually No Abrasion On Cable Insulation

Industrial SPEC-grade

For Use On Threaded Rigid/imc Conduit to Provide a Means of Grounding Threaded Conduit Through an Insulated Bushing.



EZ Wiring

3 Thr'd Machined Holes to Accommodate Lug Orientation

Threaded

Stainless Steel Set Screws in Machined Threaded Holes
Vibration Resistant

EZ Installation & Wiring Move Lug to Avoid Interference and Speed Wiring

Wire Tightening Engagement Screw

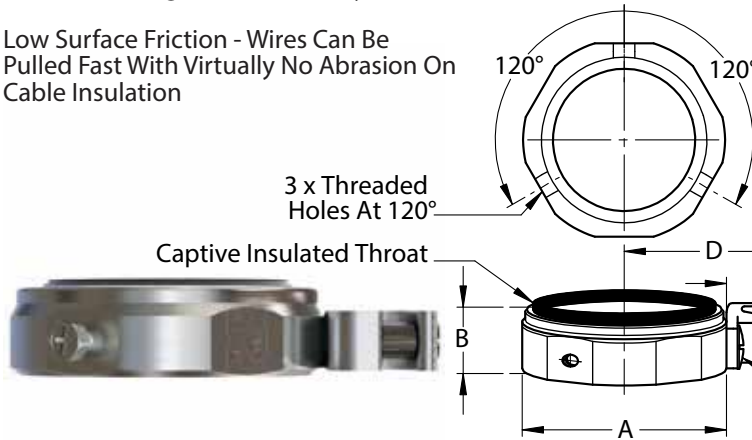
Set Screws & Attachment Screw Stainless Steel

1- Attachment Screw for Mounting the Lug

Set Screws for Bonding to Conduit

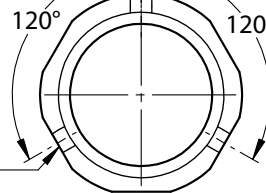
1/2" - 2" furnished with 1 set screw

2 1/2" - 4" furnished with 2 set screws



Captive Insulated Throat

3 x Threaded Holes At 120°



Cat # (1)	Trade Size	Ø A	B	C	D	Lug Wire Range		Wt. Per/C
						Min Solid	Max Strand	
GB50BGLSST	1/2"	1-1/16"	5/8"	3/4"	1-5/16"	#14	#4	8
GB75BGLSST	3/4"	1-1/4"	5/8"	3/4"	1-3/8"	#14	#4	8
GB75BGL-0-SST	3/4"	1-1/4"	5/8"	1-1/8"	1-11/16"	#8	#1/0	17
GB100BGLSST	1"	1-1/2"	3/4"	3/4"	1-1/2"	#14	#4	11
GB100BGL-0-SST	1"	1-1/2"	3/4"	1-1/8"	1-7/8"	#8	#1/0	20
GB125BGLSST	1-1/4"	1-7/8"	3/4"	3/4"	1-11/16"	#14	#4	17
GB125BGL-0-SST	1-1/4"	1-7/8"	3/4"	1-1/8"	2-1/16"	#8	#1/0	26
GB150BGLSST	1-1/2"	2-1/16"	3/4"	3/4"	1-13/16"	#14	#4	21
GB150BGL-0-SST	1-1/2"	2-1/16"	3/4"	1-1/8"	2-1/8"	#8	#1/0	30
GB200BGLSST	2"	2-11/16"	3/4"	3/4"	2-1/6"	#14	#4	28
GB200BGL-0-SST	2"	2-11/16"	3/4"	1-1/8"	2-3/8"	#8	#1/0	36
GB250BGLSST	2-1/2"	3-7/16"	1-1/16"	1-3/16"	2-13/16"	#14	#1/0	77
GB250BGL-250-SST	2-1/2"	3-7/16"	1-1/16"	1-11/16"	3-3/8"	#6	250 MCM	90
GB300BGLSST	3"	4"	1-1/16"	1-3/16"	3-1/8"	#14	#1/0	89
GB300BGL-250-SST	3"	4"	1-1/16"	1-11/16"	3-11/16"	#6	250 MCM	105
GB350BGLSST	3-1/2"	4-1/2"	1-1/16"	1-3/16"	3-3/8"	#14	#1/0	110
GB350BGL-250-SST	3-1/2"	4-1/2"	1-1/16"	1-11/16"	3-15/16"	#6	250 MCM	124
GB400BGLSST	4"	5-1/8"	1-1/16"	1-3/16"	3-15/16"	#14	#1/0	121
GB400BGL-250-SST	4"	5-1/8"	1-1/16"	1-11/16"	4-3/16"	#6	250 MCM	135

SST Suffix Denotes Stainless Steel Screws

Compliances:

Certified Made in the USA

UL 514B, 467, NEMA FB1

Insulated Throat Bushing is UV Stabilized & 150°C Rated In Normal Use, Will not Chip, Crack, Swell or Shrink

Excellent Wear & Friction Properties

1/2" to 2" PA (Polyamide) UL Listed

2 1/2" to 4" PEI (Polyetherimide) UL Listed

Federal Standard A-A-50553

CSA Standard: C22.2 No. 18F

RoHS Compliant

REACH Compliant

CA Prop 65 Compliant

UNSPSC 39121312



(1) Available Options:

Aluminum Construction for Aluminum Conduit - See Catalog Page GBAL

* Grounding Lug Options:

Copper Lug Add Suffix CU to Cat #

Consult Factory for Tin Plated Aluminum Lugs

Other Wire Lug Sizes Consult Factory

Set Screws & Attachment Screw Option:

Steel Set Screws Zinc Plated - Eliminate Suffix SST from Above Cat Numbers

** Galvanized Plating Option:

For this Option, Add Suffix "G" to Above Cat Number

Ground Bushings Steel - NT w/Lug

Size Range: 1/2" - 4"
Product Series: GB Grounding Bushings No Threads
Furnished with Factory Installed AL Lay In Grounding Lug*
Material: Solid Alloy Steel Construction
Zinc Plated with Chromate Finish**
Made in the USA

Solid Steel Construction with Factory Installed Insulator
 Precision Fully Machined Body with Slick Burrless ID
 Flat Hex Surface for Full Torque Values
 105° C Rated, UV Stabilized Insulator Throat Bushing

Low Surface Friction - Wires Can Be Pulled Fast With Virtually No Abrasion On Cable Insulation

Industrial SPEC-grade

For Use On EMT, and NT Rigid/imc Conduit to Provide a Means of Grounding Conduit Through an Insulated Bushing.

Suitable for EMT, RGS and IMC Conduit



3 Thr'd Machined Holes to Accommodate Lug Orientation
 Fully Machined ID for EZ Pull of Wires

No Threads

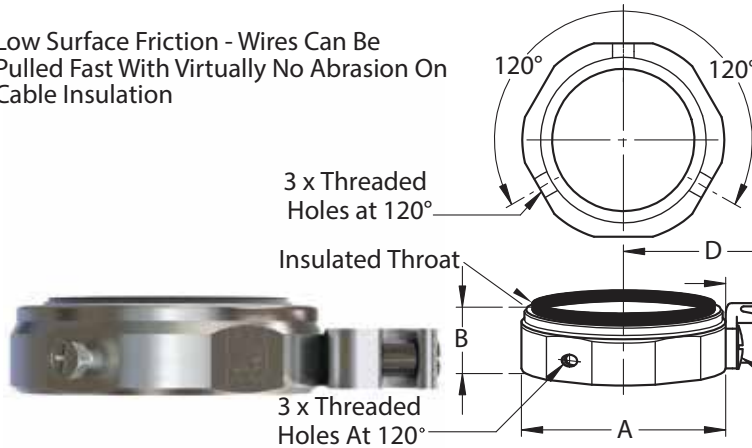
Steel Set Screws in Machined Threaded Holes
 Vibration Resistant

EZ Installation & Wiring Move Lug to Avoid Interference and Speed Wiring

Wire Tightening Engagement Screw

Set Screws Steel Zinc Plated: *Stainless Steel Option Available*
 1- Attachment Screw For Mounting the Lug
 Set Screws for Bonding to Conduit

1/2" - 2" furnished with 1 set screw
 2 1/2" - 4" furnished with 2 set screws



Cat # (1)	Trade Size	ØA	B	C	D	Wire Range		Wt. Per/C
						Min Solid	Max Strand	
GB50BNTGL	1/2"	1-1/16"	5/8"	3/4"	1-5/16"	#14	#4	7
GB75BNTGL	3/4"	1-1/4"	5/8"	3/4"	1-3/8"	#14	#4	7
GB75BNTGL-0	3/4"	1-1/4"	5/8"	1-1/8"	1-11/16"	#8	#1/0	15
GB100BNTGL	1"	1-1/2"	3/4"	3/4"	1-1/2"	#14	#4	9
GB100BNTGL-0	1"	1-1/2"	3/4"	1-1/8"	1-7/8"	#8	#1/0	17
GB125BNTGL	1-1/4"	1-7/8"	3/4"	3/4"	1-11/16"	#14	#4	15
GB125BNTGL-0	1-1/4"	1-7/8"	3/4"	1-1/8"	2-1/16"	#8	#1/0	22
GB150BNTGL	1-1/2"	2-1/16"	3/4"	3/4"	1-13/16"	#14	#4	16
GB150BNTGL-0	1-1/2"	2-1/16"	3/4"	1-1/8"	2-1/8"	#8	#1/0	24
GB200BNTGL	2"	2-11/16"	3/4"	3/4"	2-1/6"	#14	#4	20
GB200BNTGL-0	2"	2-11/16"	3/4"	1-1/8"	2-3/8"	#8	#1/0	28
GB250BNTGL	2-1/2"	3-7/16"	1-1/16"	1-3/16"	2-13/16"	#14	#1/0	63
GB250BNTGL-250	2-1/2"	3-7/16"	1-1/16"	1-11/16"	3-3/8"	#6	250 MCM	78
GB300BNTGL	3"	4"	1-1/16"	1-3/16"	3-1/8"	#14	#1/0	75
GB300BNTGL-250	3"	4"	1-1/16"	1-11/16"	3-11/16"	#6	250 MCM	90
GB350BNTGL	3-1/2"	4-1/2"	1-1/16"	1-3/16"	3-3/8"	#14	#1/0	92
GB350BNTGL-250	3-1/2"	4-1/2"	1-1/16"	1-11/16"	3-15/16"	#6	250 MCM	105
GB400BNTGL	4"	5-1/8"	1-1/16"	1-3/16"	3-15/16"	#14	#1/0	96
GB400BNTGL-250	4"	5-1/8"	1-1/16"	1-11/16"	4-3/16"	#6	250 MCM	113

Compliances:

Certified Made in the USA
 UL 514B, 467, NEMA FB1
 Insulated Throat Bushing is UV Stablized & 150° C Rated
 In Normal Use, Will not Chip, Crack, Swell or Shrink
 Excellent Wear & Friction Properties
 1/2" to 2" PA (Polyamide) UL Listed
 2 1/2" to 4" PEI (Polyetherimide) UL Listed
 Federal Standard A-A-50553
 CSA Standard: C22.2 No. 18F
 RoHS Compliant
 REACH Compliant
 CA Prop 65 Compliant
 UNSPSC 39121312



(1) Available Options:

Aluminum Construction for Aluminum Conduit - See Catalog Page GBAL

*** Grounding Lug Options:**

Copper Lug Add Suffix CU to Cat #
 Consult Factory for Tin Plated Aluminum Lugs
 Other Wire Lug Sizes Consult Factory

Set Screws & Attachment Screw Option:

Stainless Steel Set Screws Consult Factory

**** Galvanized Plating Option:**

For this Option, Add Suffix "G" to Above Cat Number
 GB Series Available Threaded and NT With and Without Lugs

Ground Bushings AL Thr'd w/Lug

Size Range: 1/2" - 4"

Product Series: GB Aluminum Grounding Bushings No Threads
Furnished with Factory Installed AL Lay In Grounding Lug*

Material: Aluminum Copper Free

Made in the USA

Twice the Strength and Durability of Cast Products

Solid Aluminum Construction from Bar Stock- CU Free
Precision Fully Machined Body with Slick Burrless ID
Flat Hex Surface for Full Torque Values
Factory Installed Insulator
105° C Rated, UV Stabilized Insulator Throat Bushing

Low Surface Friction - Wires Can Be Pulled Fast With Virtually No Abrasion On Cable Insulation

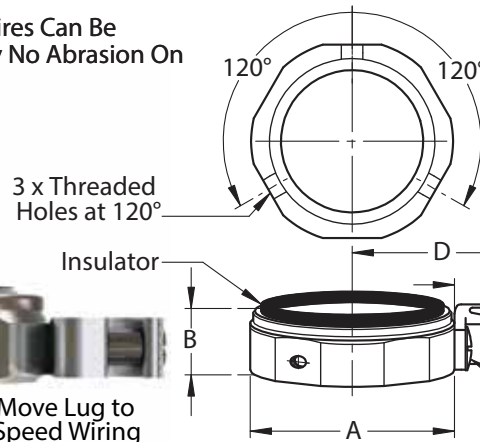
EZ Installation & Wiring Move Lug to Avoid Interference and Speed Wiring

Industrial SPEC-grade

For Use On Threaded Aluminum Conduit to Provide a Means of Grounding Threaded Conduit Through an Insulated Bushing.



3 Thr'd Machined Holes to Accomodate Lug Orientation EZ Wiring



Steel Zinc Plated Set Screws in Machined Threaded Holes Vibration Resistant

Wire Tightening Engagement Screw

Set Screws Steel Zinc Plated: *Stainless Steel Option Available*
1- Attachment Screw For Mounting the Lug
Set Screws for Bonding to Conduit

1/2" - 2" furnished with 1 set screw
2 1/2" - 4" furnished with 2 set screws

Cat # (1)	Trade Size	Ø A	B	C	D	Lug Wire Range		Wt. Per/C
						Min Solid	Max Strand	
GB50BGL AL	1/2"	1-1/16"	5/8"	3/4"	1-5/16"	#14	#4	5
GB75BGL AL	3/4"	1-1/4"	5/8"	3/4"	1-3/8"	#14	#4	6
GB75BGL-0 AL	3/4"	1-1/4"	5/8"	1-1/8"	1-11/16"	#8	#1/0	12
GB100BGL AL	1"	1-1/2"	3/4"	3/4"	1-1/2"	#14	#4	11
GB100BGL-0 AL	1"	1-1/2"	3/4"	1-1/8"	1-7/8"	#8	#1/0	15
GB125BGL AL	1-1/4"	1-7/8"	3/4"	3/4"	1-11/16"	#14	#4	17
GB125BGL-0 AL	1-1/4"	1-7/8"	3/4"	1-1/8"	2-1/16"	#8	#1/0	26
GB150BGLAL	1-1/2"	2-1/16"	3/4"	3/4"	1-13/16"	#14	#4	21
GB150BGL-0 AL	1-1/2"	2-1/16"	3/4"	1-1/8"	2-1/8"	#8	#1/0	30
GB200BGL AL	2"	2-11/16"	3/4"	3/4"	2-1/6"	#14	#4	28
GB200BGL-0 AL	2"	2-11/16"	3/4"	1-1/8"	2-3/8"	#8	#1/0	36
GB250BGL AL	2-1/2"	3-7/16"	1-1/16"	1-3/16"	2-13/16"	#14	#1/0	77
GB250BGL-250 AL	2-1/2"	3-7/16"	1-1/16"	1-11/16"	3-3/8"	#6	250 MCM	90
GB300BGL AL	3"	4"	1-1/16"	1-3/16"	3-1/8"	#14	#1/0	89
GB300BGL-250 AL	3"	4"	1-1/16"	1-11/16"	3-11/16"	#6	250 MCM	105
GB350BGL AL	3-1/2"	4-1/2"	1-1/16"	1-3/16"	3-3/8"	#14	#1/0	110
GB350BGL-250 AL	3-1/2"	4-1/2"	1-1/16"	1-11/16"	3-15/16"	#6	250 MCM	124
GB400BGL AL	4"	5-1/8"	1-1/16"	1-3/16"	3-15/16"	#14	#1/0	121
GB400BGL-250 AL	4"	5-1/8"	1-1/16"	1-11/16"	4-3/16"	#6	250 MCM	105

Compliances:

Certified Made in the USA
UL 514B, 467, NEMA FB1
Insulated Throat Bushing is UV Stablized & 150° C Rated
In Normal Use, Will not Chip, Crack, Swell or Shrink
Excellent Wear & Friction Properties
1/2" to 2" PA (Polyamide) UL Listed
2 1/2" to 4" PEI (Polyetherimide) UL Listed
Federal Standard A-A-50553
CSA Standard: C22.2 No. 18F
RoHS Compliant
REACH Compliant
CA Prop 65 Compliant
UNSPSC 39121312



(1) Available Options:

Steel Construction Zinc Plated or Galvanized

*** Grounding Lug Options:**

Copper Lug Add Suffix CU to Cat #
Consult Factory for Tin Plated Aluminum Lugs
Other Wire Lug Sizes Consult Factory

Set Screws & Attachment Screw Option:

Stainless Steel Set Screws Consult Factory

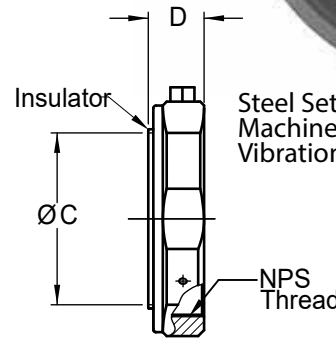
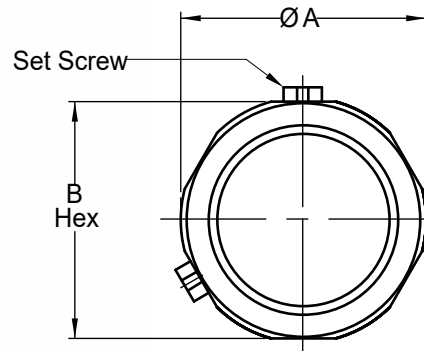
Conduit Bushings Steel - Threaded

Size Range: 1/2" - 4"
Product Series: RCB Rigid Conduit Bushings Threaded
Available With a LayIn Ground Lug* (GB Series)
Material: Solid Alloy Steel Construction
Zinc Plated with Chromate Finish**
Made in the USA

Solid Steel Construction with Factory Installed Insulator
 Precision Fully Machined Body with Cut Threads
 Flat Hex Surface for Full Torque Values
 105 °C Rated, UV Stabilized Insulator Throat Bushing
 Twice the Strength and Durability of Die Cast & Malleable Iron

Industrial SPEC-grade

For Use On Threaded Rigid/imc Conduit Steel Bushings eliminate the use of the locknut and solves the problem of not enough thread left to engage the bushing after installing the locknut.



Steel Set Screws in Machined Threaded Holes
 Vibration Resistant

Set Screws: 1/2" - 2" furnished with 1 set screw - 2 1/2" - 4" furnished with 2 set screws
 Stainless Steel Set Screw Option Available - See Below

Cat #	Trade Size	Thread	Ø A	B (Hex)	Ø C	D	Wt. Per/C
RCB 50B	1/2"	1/2" - 14 NPS	1-1/8	1-1/16	9/16	11/16	7
RCB 75B	3/4"	3/4" - 14 NPS	1-1/4	1-3/16	3/4	11/16	7
RCB100B	1"	1" - 11.5 NPS	1-1/2	1-7/16	1	13/16	10
RCB125B	1-1/4"	1-1/4" - 11.5 NPS	1-7/8	1-13/16	1-1/4	7/8	16
RCB150B	1-1/2"	1-1/2" - 11.5 NPS	2-3/16	2-1/16	1-1/2	7/8	20
RCB200B	2"	2 - 11.5 NPS	2-11/16	2-9/16	1-15/16	7/8	26
RCB250B	2-1/2"	2-1/2" - 8 NPS	3-7/16	3-1/4	2-1/4	1-1/16	70
RCB300B	3"	3" - 8 NPS	4	3-15/16	2-7/8	1-1/16	85
RCB350B	3-1/2"	3-1/2" - 8 NPS	4-9/16	4-7/16	3-1/4	1-1/16	104
RCB400B	4"	4" - 8 NPS	5-1/8	4-15/16	3-3/4	1-1/16	115

Compliances:

Certified Made in the USA
 UL 514B, 467, NEMA FB1
 Insulated Throat Bushing is UV Stablized & 150°C Rated
 In Normal Use, Will not Chip, Crack, Swell or Shrink
 Excellent Wear & Friction Properties
 1/2" to 2" PA (Polyamide) UL Listed
 2 1/2" to 4" PEI (Polyetherimide) UL Listed
 Federal Standard A-A-50553
 CSA Standard: C22.2 No. 18F
 RoHS Compliant
 REACH Compliant
 CA Prop 65 Compliant
 UNSPSC 39121312



Available Options:

Aluminum Construction for Aluminum Conduit -
 Add Suffix AL to Cat #

* Grounding Lug Options:

Aluminum Ground Lug See Group GBGL
 Copper Lug Add Suffix CU to Cat #
 Consult Factory for Tin Plated Aluminum Lugs
 Other Wire Lug Sizes Consult Factory

** Galvanized Plating - Option - Add Suffix "G" to Above Cat Number
 Stainless Steel Set Screw Option - Add Suffix SST to Above Cat #

GB Series Available Threaded and NT With and Without Lugs

Conduit Bushings Steel - No Threads

Size Range: 1/2" - 4"

Product Series: RCB Conduit Bushings No Threads

Material: Solid Alloy Steel Construction- Aluminum Option *

Zinc Plated with Chromate Finish**

Made in the USA

Solid Steel Construction with Factory Installed Insulator
Precision Fully Machined Body with Slick Burrless ID
Flat Hex Surface for Full Torque Values
105°C Rated, UV Stabilized Insulator Throat Bushing

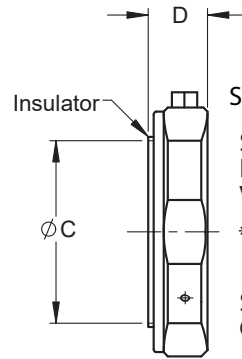
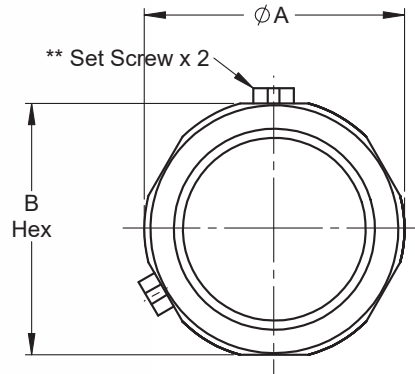
Low Surface Friction - Wires Can Be
Pulled Fast With Virtually No Abrasion On
Cable Insulation

Industrial SPEC-grade

For Use On EMT, and NT Rigid/imc Conduit when you cannot use a threaded locknut and you also need an insulated throat bushing.

Suitable for EMT, RGS and IMC Conduit

Fully Machined ID for EZ Pull of Wires



Set Screws for Bonding to Conduit

Steel Set Zinc Plated Screws in Fully Machined Threaded Holes Vibration Resistant

**1/2" - 2" furnished with 1 set screw
2 1/2" - 4" furnished with 2 set screws

Stainless Steel Set Screws Available, Consult Factory

Cat # (1)	Trade Size	Ø A	B (Hex)	Ø C	D	Wt. Per/C
RCB 50BNT	1/2"	1-1/8	1-1/16	9/16	11/16	5
RCB 75BNT	3/4"	1-1/4	1-3/16	3/4	11/16	5
RCB100BNT	1"	1-1/2	1-7/16	1	13/16	7
RCB125BNT	1-1/4"	1-7/8	1-13/16	1-1/4	7/8	12
RCB150BNT	1-1/2"	2-3/16	2-1/16	1-1/2	7/8	14
RCB200BNT	2"	2-11/16	2-9/16	1-15/16	7/8	18
RCB250BNT	2-1/2"	3-7/16	3-1/4	2-1/4	1-1/16	58
RCB300BNT	3"	4	3-15/16	2-7/8	1-1/16	70
RCB350BNT	3-1/2"	4-9/16	4-7/16	3-1/4	1-1/16	85
RCB400BNT	4"	5-1/8	4-15/16	3-3/4	1-1/16	93

Compliances:

Certified Made in the USA

UL 514B, 467, NEMA FB1

Insulated Throat Bushing is UV Stabilized & 150°C Rated
In Normal Use, Will not Chip, Crack, Swell or Shrink

Excellent Wear & Friction Properties

1/2" to 2" PA (Polyamide) UL Listed

2 1/2" to 4" PEI (Polyetherimide) UL Listed

Federal Standard A-A-50553

CSA Standard: C22.2 No. 18F

RoHS Compliant

REACH Compliant

CA Prop 65 Compliant

UNSPSC 39121312



(1) Available Options:

Aluminum Construction for Aluminum Conduit -
Add Suffix AL to Above Cat #

Set Screws Option:

Stainless Steel Set Screws Consult Factory

Galvanized Plating - Option

For this Option, Add Suffix "G" to Above Cat Number

Grounding Lugs

Refer to Our GB Series