

Rigid Conduit Unions

We Put the YOU in Unions, Designed & Manufactured for Your Needs



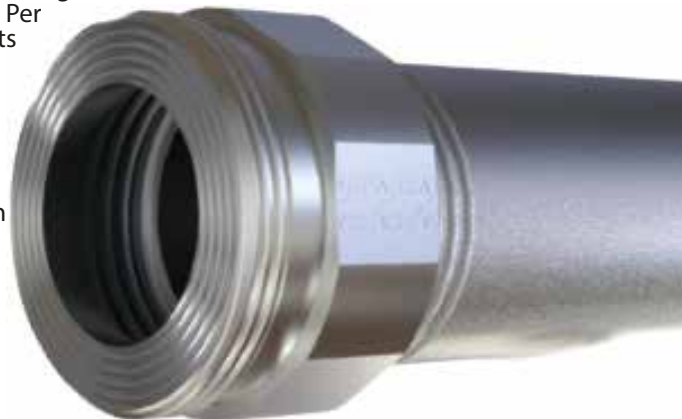
UNY, UNF Series Explosion Proof

Matching CNC Machine Cut
Concentric Phonographic Facings
Mate Tight & Fully Seal Per
NEC EX Requirements

Uniform Design & Appearance
Throughout the Entire 1/2" -4" Range



Both Steel & AL
Manufactured From
Solid Bar Stock



2 1/2" - 4" Unions are a Fraction of the Size & Weight of
Competitors' Feralloy or MI Cast Products
Easier Handling and Ensures Less Stress on Conduit Runs & Enclosures

Precision Machined, NPT Cut Threads From
Solid Bar Stock Provides
Tight Rigid Joints, While Maintaining
Full Ground Continuity

Solid Steel Cut Threads
Will Not Flatten or Cross Thread
When Tightened During Installation

You Save Labor Installation Costs and
Increase Application Integrity

Knurled Machined Nipple Provides
EZ Grip During Installation



Flat Hex Surface for EZ Full Torque

Fully Machine ID Provides a Smooth
Burrless Wire Pull

Unions Have Uniform Machined
Dimensions that Align Conduit & Enclosures
On a Consistent Centerline.

All Sizes Have a Low Profile Compact Design
Permits EZ Assembly with a
Minimum of Clearance Required
Conforms to Nicely to Conduit OD

Entire Union is Uniformly Zinc Electro-Plated
With a Clear Chromate Finishing Layer Provides
Added Corrosion Resistance

Conduit Unions Male Steel

Size Range: 1/2" - 4"

Product Series: UNY (female to male)

UL Listed Explosion Proof *

Material: Alloy Steel

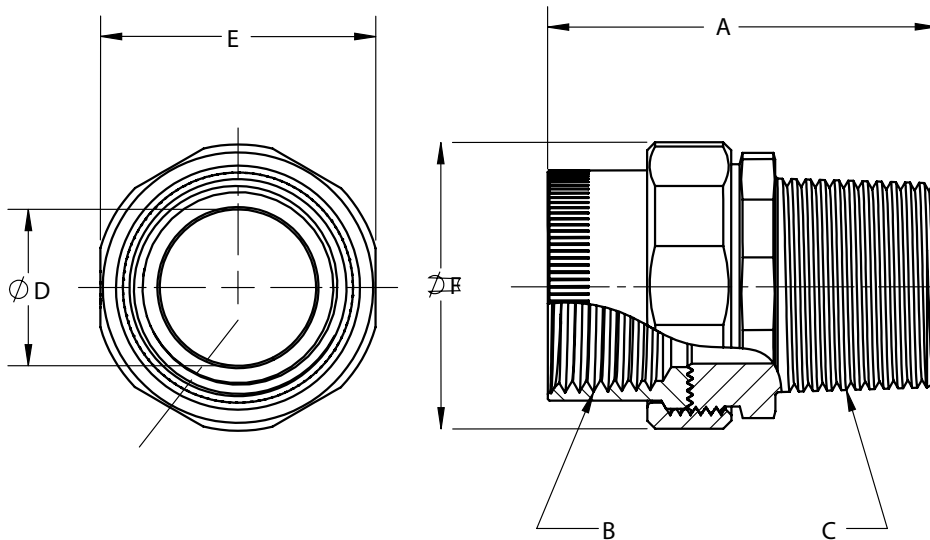
Made in the USA

Application:

UNY male unions connect conduit to a conduit fitting, junction box, or device enclosure with one NPT threaded male end and a threaded female end. UNF female unions connect conduit to conduit (two threaded ends), or provide a means for future modification of the conduit system. Both provide a means for the removal of equipment without turning conduit.



UNY Male to Female



Cat #	Trade Size	"A" Length	"B" Female Thread Size	"C" Male Thread Size	"D" Inner Dia.	"E" Hex	"F" Outer Dia.
UNY50	1/2"	2-1/16"	1/2"-14 NPT	1/2"-14 NPT	9/16"	1-5/16"	1-3/8"
UNY75	3/4"	2-1/8"	3/4"-14 NPT	3/4"-14 NPT	3/4"	1-7/16"	1-1/2"
UNY100	1"	2-7/16"	1"-11.5 NPT	1"-11.5 NPT	15/16"	1-11/16"	1-3/4"
UNY125	1-1/4"	2-5/8"	1-1/4"-11.5 NPT	1-1/4"-11.5 NPT	1-5/16"	2-5/16"	2-3/8"
UNY150	1-1/2"	2-3/4"	1-1/2"-11.5 NPT	1-1/2"-11.5 NPT	1-5/8"	2-9/16"	2-11/16"
UNY200	2"	2-13/16"	2"-11.5 NPT	2"-11.5 NPT	1-15/16"	2-13/16"	2-7/8"
UNY250	2-1/2"	4-1/16"	2-1/2"-8 NPT	2-1/2"-8 NPT	2-5/16"	3-1/4"	3-3/8"
UNY300	3"	4-1/16"	3"-8 NPT	3"-8 NPT	2-15/16"	3-7/8"	4"
UNY350	3-1/2"	4-1/4"	3-1/2"-8 NPT	3-1/2"-8 NPT	3-7/16"	4-7/16"	4-9/16"
UNY400	4"	4-1/4"	4"-8 NPT	4"-8 NPT	3-15/16"	4-15/16"	5-1/16"

Steel Compliances:

Certified Made in the USA
 Alloy Steel Construction from Solid Bar
 UL Standards 1203
 CSA Standard C22.2 No. 30

*** NEC:**

1/2" – 1-1/4" Class I, Div. 1 & 2, Groups A, B, C, D
 1-1/2" – 4" Class I, Div. 1 & 2, Groups C, D
 1/2" – 4" Class II, Div. 1 & 2, Groups E, F, G, Class III

RoHS and REACH Compliant
 Prop.65 CA Compliant
 UNSPSC 39131707



Features

Compact design which permits assembly with a minimum of clearance to other adjacent conduit and/or equipment.

Manufactured from Solid Bar Stock
 Precision machined with a flat surface HEX design provides EZ torque installation to full values.

Machine cut NPT threads will not flatten or cross during installation.

*For Non-Explosion Proof Applications
 Consider our 3 Piece Couplings*

Conduit Unions Female Steel

Size Range: 1/2" - 4"

Product Series: UNF (female to female)

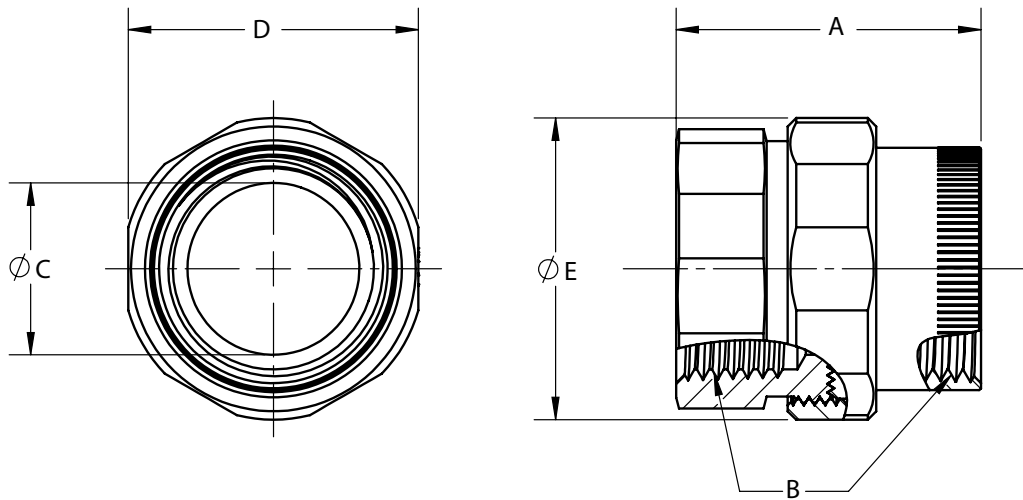
UL Listed Explosion Proof *

Material: Alloy Steel

Made in the USA

Application:

UNY male unions connect conduit to a conduit fitting, junction box, or device enclosure with one NPT threaded male end and a threaded female end. UNF female unions connect conduit to conduit (two threaded ends), or provide a means for future modification of the conduit system. Both provide a means for the removal of equipment without turning conduit.



UNF Female to Female



Cat #	Trade Size	"A" Length	"B" Female Thread Size	"D" Inner Dia.	"D" Hex	"E" Outer Dia.
UNF50	1/2"	1-9/16"	1/2"-14 NPT	9/16"	1-5/16"	1-3/8"
UNF75	3/4"	1-9/16"	3/4"-14 NPT	3/4"	1-7/16"	1-1/2"
UNF100	1"	1-3/4"	1"-11.5 NPT	15/16"	1-13/16"	1-3/4"
UNF125	1-1/4"	1-15/16"	1-1/4"-11.5 NPT	1-1/4"	2-5/16"	2-3/8"
UNF150	1-1/2"	1-15/16"	1-1/2"-11.5 NPT	1-5/8"	2-9/16"	2-11/16"
UNF200	2"	1-15/16"	2"-11.5 NPT	1-15/16"	2-13/16"	2-7/8"
UNF250	2-1/2"	2-13/16"	2-1/2"-8 NPT	2-7/16"	3-1/4"	3-3/8"
UNF300	3"	2-7/8"	3"-8 NPT	2-15/16"	3-7/8"	4"
UNF350	3-1/2"	3"	3-1/2"-8 NPT	3-7/16"	4-7/16"	4-9/16"
UNF400	4"	3"	4"-8 NPT	3-15/16"	4-15/16"	5-1/16"

Compliances:

Certified Made in the USA
 Alloy Steel Construction from Solid Bar
 UL Standards 1203
 CSA Standard C22.2 No. 30

*** NEC:**

1/2" – 1-1/4" Class I, Div. 1 & 2, Groups A, B, C, D
 1-1/2" – 4" Class I, Div. 1 & 2, Groups C, D
 1/2" – 4" Class II, Div. 1 & 2, Groups E, F, G, Class III

RoHS and REACH Compliant
 Prop.65 CA Compliant
 UNSPSC 39131707



Features

Compact design which permits assembly with a minimum of clearance to other adjacent conduit and/or equipment.

Manufactured from Solid Alloy Steel Bar Stock
 Precision machined with a flat surface HEX design provides EZ torque installation to full values.

Machine cut NPT threads will not flatten or cross during installation.

*For Non-Explosion Proof Applications
 Consider our 3 Piece Couplings*

Conduit Unions Male Aluminum

Size Range: 1/2" - 4"

Product Series: UNY (female to male) AL

UL Listed Explosion Proof *

Material: Natural Aluminum Copper Free

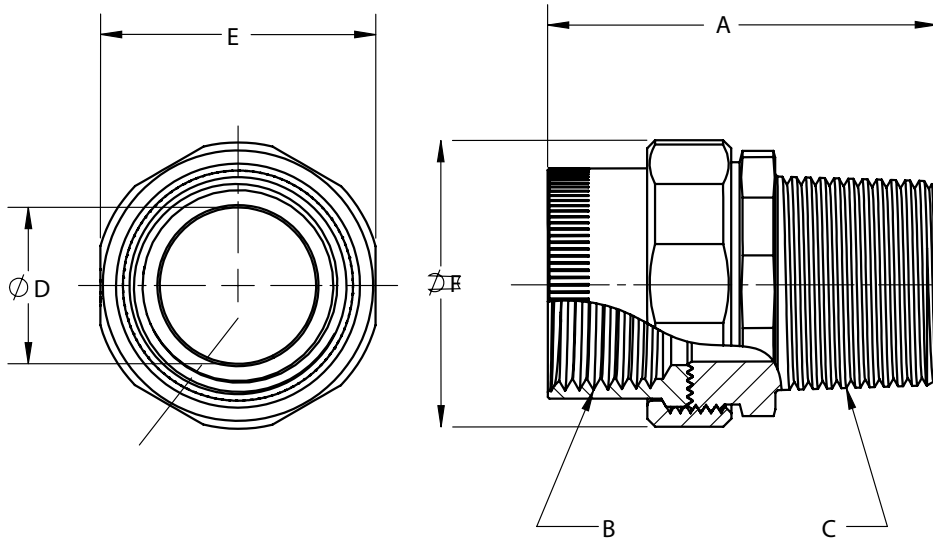
Made in the USA

Application:

UNY male unions connect conduit to a conduit fitting, junction box, or device enclosure with one NPT threaded male end and a threaded female end. UNF female unions connect conduit to conduit (two threaded ends), or provide a means for future modification of the conduit system. Both provide a means for the removal of equipment without turning conduit.



UNY Male to Female



Cat #	Trade Size	"A" Length	"B" Female Thread Size	"C" Male Thread Size	"D" Inner Dia.	"E" Hex	"F" Outer Dia.
UNY50AL	1/2"	2-1/16"	1/2"-14 NPT	1/2"-14 NPT	9/16"	1-5/16"	1-3/8"
UNY75AL	3/4"	2-1/8"	3/4"-14 NPT	3/4"-14 NPT	3/4"	1-7/16"	1-1/2"
UNY100AL	1"	2-7/16"	1"-11.5 NPT	1"-11.5 NPT	15/16"	1-11/16"	1-3/4"
UNY125AL	1-1/4"	2-5/8"	1-1/4"-11.5 NPT	1-1/4"-11.5 NPT	1-5/16"	2-5/16"	2-3/8"
UNY150AL	1-1/2"	2-3/4"	1-1/2"-11.5 NPT	1-1/2"-11.5 NPT	1-5/8"	2-9/16"	2-11/16"
UNY200AL	2"	2-13/16"	2"-11.5 NPT	2"-11.5 NPT	1-15/16"	2-13/16"	2-7/8"
UNY250AL	2-1/2"	4-1/16"	2-1/2"-8 NPT	2-1/2"-8 NPT	2-5/16"	3-15/16"	4"
UNY300AL	3"	4-1/16"	3"-8 NPT	3"-8 NPT	2-15/16"	4-7/16"	4-9/16"
UNY350AL	3-1/2"	4-1/4"	3-1/2"-8 NPT	3-1/2"-8 NPT	3-7/16"	4-15/16"	5-1/16"
UNY400AL	4"	4-1/4"	4"-8 NPT	4"-8 NPT	3-15/16"	5"	5-1/8"

Compliances:

Certified Made in the USA
 Natural Aluminum (Cu Free) Construction from Solid Bar
 UL Standards 1203
 CSA Standard C22.2 No. 30

*** NEC:**

1/2" Class I, Div. 1 & 2, Groups A, B, C, D
 3/4" - 4" Class I, Div. 1 & 2, Groups C, D
 1/2" - 4" Class II, Div. 1 & 2, Groups E, F, G Class III

RoHS and REACH Compliant
 Prop.65 CA Compliant
 UNSPSC 39131707



Features

Compact design which permits assembly with a minimum of clearance to other adjacent conduit and/or equipment.

Manufactured from Solid Aluminum Bar Stock
 Precision machined with a flat surface HEX design provides EZ torque installation to full values.

Machine cut NPT threads will not flatten or cross during installation.

*For Non-Explosion Proof Applications
 Consider our 3 Piece Couplings*

Conduit Unions Female Aluminum

Size Range: 1/2" - 4"

Product Series: UNF (female to female) AL

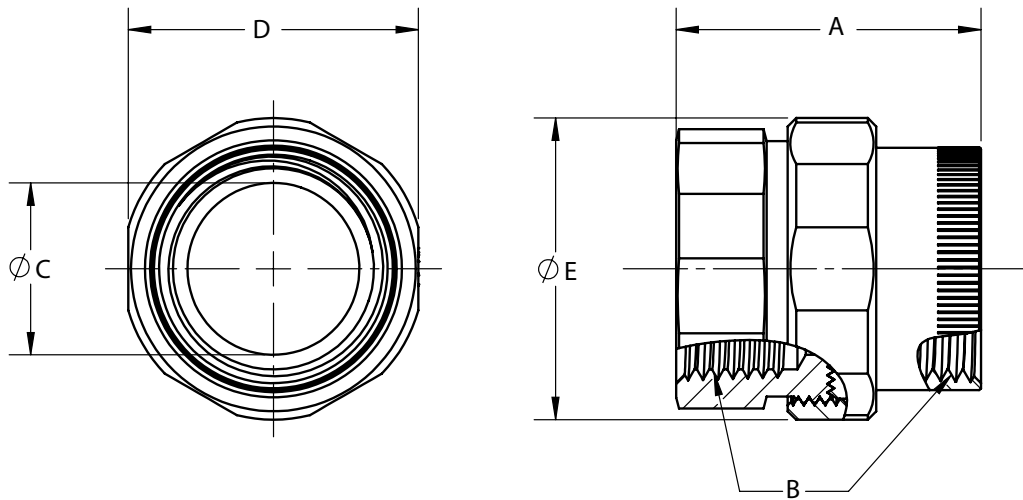
UL Listed Explosion Proof *

Material: Natural Aluminum Copper Free

Made in the USA

Application:

UNY male unions connect conduit to a conduit fitting, junction box, or device enclosure with one NPT threaded male end and a threaded female end. UNF female unions connect conduit to conduit (two threaded ends), or provide a means for future modification of the conduit system. Both provide a means for the removal of equipment without turning conduit.



UNF Female to Female



Cat #	Trade Size	"A" Length	"B" Female Thread Size	"D" Inner Dia.	"D" Hex	"E" Outer Dia.
UNF50AL	1/2"	1-9/16"	1/2"-14 NPT	9/16"	1-5/16"	1-3/8"
UNF75AL	3/4"	1-9/16"	3/4"-14 NPT	3/4"	1-7/16"	1-1/2"
UNF100AL	1"	1-3/4"	1"-11.5 NPT	15/16"	1-13/16"	1-3/4"
UNF125AL	1-1/4"	1-15/16"	1-1/4"-11.5 NPT	1-1/4"	2-5/16"	2-3/8"
UNF150AL	1-1/2"	1-15/16"	1-1/2"-11.5 NPT	1-5/8"	2-9/16"	2-11/16"
UNF200AL	2"	1-15/16"	2"-11.5 NPT	1-15/16"	2-13/16"	2-7/8"
UNF250AL	2-1/2"	2-13/16"	2-1/2"-8 NPT	2-7/16"	3-1/4"	3-3/8"
UNF300AL	3"	2-7/8"	3"-8 NPT	2-15/16"	3-7/8"	4"
UNF350AL	3-1/2"	3"	3-1/2"-8 NPT	3-7/16"	4-7/16"	4-9/16"
UNF400AL	4"	3"	4"-8 NPT	3-15/16"	4-15/16"	5-1/16"

Compliances:

Certified Made in the USA
 Natural Aluminum (Cu Free) Construction from Solid Bar
 UL Standards 1203
 CSA Standard C22.2 No. 30

*** NEC:**

1/2" - 1-1/4" Class I, Div. 1 & 2, Groups A, B, C, D
 1-1/2" - 4" Class I, Div. 1 & 2, Groups C, D
 1/2" - 4" Class II, Div. 1 & 2, Groups E, F, G, Class III

RoHS and REACH Compliant
 Prop.65 CA Compliant
 UNSPSC 39131707



Features

Compact design which permits assembly with a minimum of clearance to other adjacent conduit and/or equipment.

Manufactured from Solid Aluminum Bar Stock
 Precision machined with a flat surface HEX design provides EZ torque installation to full values.

Machine cut NPT threads will not flatten or cross during installation.

*For Non-Explosion Proof Applications
 Consider our 3 Piece Couplings*