

# LT to EMT Compression Adapter with Grounding Lug

Size Range: 1/2" - 4"

Product Series: STREMT - EMT Compression to Liquid Tight Conduit

Material: Solid Alloy Steel Construction

Lug: Copper - \*AL Lug Option

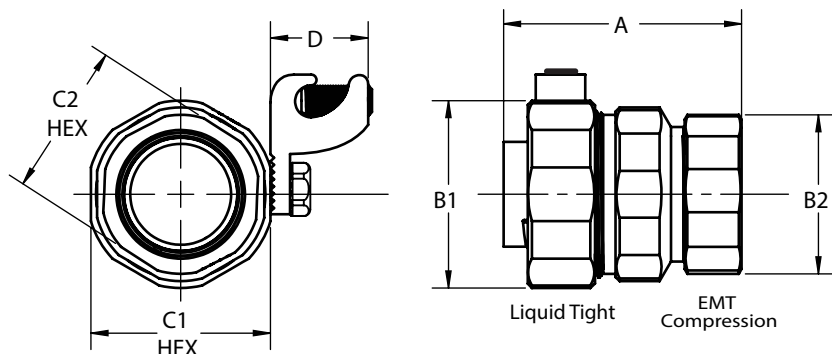
Fittings is Zinc Plated with Chromate Finish

Made in the USA

Industrial SPEC-grade



TWICE the Strength and Durability of Die Cast & Malleable Iron Products



Converts Flexible LT conduit to EMT Conduit  
Outdoor and Indoor Use with flexible metallic LT conduit or type B flexible non-metallic LT conduit.

Precision Machined from Solid Alloy Bar Stock  
Machined Cut Threads  
Full Compression EZ Torque Nuts

Long Ferrule on LT End Provides Continual Ground and Stability Against Pull Out

Part #	Trade Size	A Length	B1 Diameter	B2 Diameter	C1 Hex	C2 Hex	D Lug Height	Wire Size	
								Min	Max
STREMT 50GLCU	1/2"	1-9/16"	1-3/16"	1"	1-1/8"	15/16"	3/4"	14	4
STREMT 75GLCU	3/4"	1-11/16"	1-7/16"	1-1/4"	1-3/8"	1-3/16"	3/4"	14	4
STREMT100FLCU	1"	1-13/16"	1-3/4"	1-1/2"	1-11/16"	1-7/16"	3/4"	14	4
STREMT125GLCU	1-1/4"	2-3/4"	2-3/16"	1-7/8"	2-1/16"	1-13/16"	3/4"	14	4
STREMT150GLCU	1-1/2"	3-3/16"	2-3/8"	2-3/16"	2-5/16"	2-1/16"	3/4"	14	4
STREMT200GLCU	2"	3-3/8"	2-7/8"	2-7/8"	2-3/4"	2-9/16"	3/4"	14	4
STREMT250GLCU	2-1/2"	4-11/16"	3-7/16"	3-3/8"	3-5/16"	3-5/16"	3/4"	14	4
STREMT300GLCU	3"	4-7/8"	4"	4"	3-15/16"	3-15/16"	1-1/8"	8	1/0
STREMT350GLCU	3-1/2"	6-1/8"	4-9/16"	4-9/16"	4-7/16"	4-7/16"	1-1/8"	8	1/0
STREMT400GLCU	4"	6-3/8"	5-1/8"	5-1/8"	5"	4-15/16"	1-11/16"	6	250MCM

Copper lay-in grounding lug s designed for use with bare copper wire only, and sized wire that is between  
 1/2" to 2 1/2" Trade Sizes - #14 AWG to #4 AWG  
 3" & 3 1/2" Trade Sizes - #8 AWG to 1/0  
 4" Trade Size - #6 AWG to 250mcm

**\* Product Options:**

Aluminum Lug simply eliminate the CU from the part number i.e. STREMT50GL  
 RainTight EMT - Add RT to part number i.e. STREMT50RT GL

**Compliances:**

- Certified Made in the USA
- UL 514B, 467
- Compression Fittings Concrete Tight
- Suitable for Direct Burial \*\*\*
- NEMA Standard FB1
- Federal Standard A-A-50553
- CSA Standard: C22.2 No. 18F
- RoHS Compliant
- REACH Compliant
- CA Prop 65 Compliant
- UNSPSC 39131707



Also Offered As:

- LT to Rigid Conduit - Compression
- LT to Rigid Conduit - Threaded
- LT to FMC - FLX