

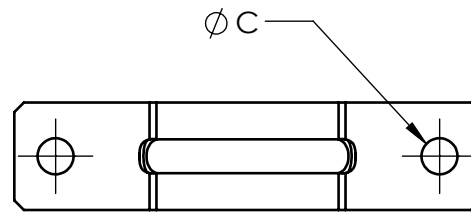
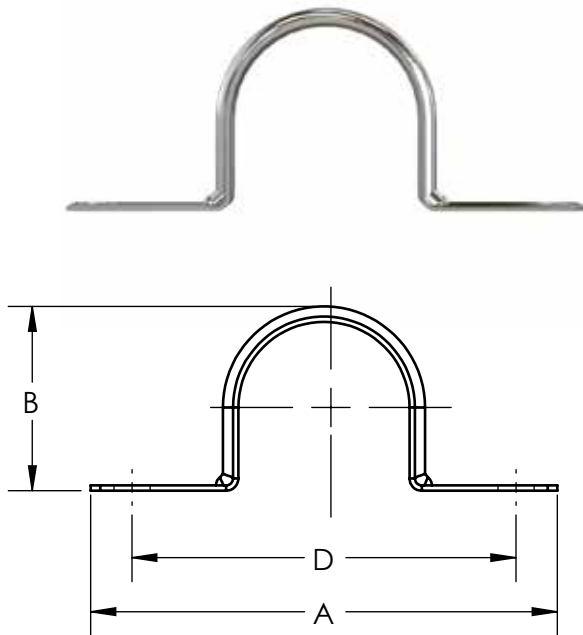
Rigid Conduit Two Hole Straps

Size Range: 1/2" - 4"
 Product Series: CSR - 2 Hole Rigid Conduit Strap
 Material: Steel Construction
 Bright Electro Zinc Plated
 Made in the USA

Industrial SPEC-grade

CSR Series RGS Steel Straps

AMFICO Steel Two Hole Straps Snap On to the Conduit Allowing the Installer to Easily Position the Strap Prior to Mounting. Alignment of Conduit is Quick and Easy.



Cat #	TRADE SIZE	A LENGTH	B HEIGHT	C HOLE ID	HOLE SPACING	Wt. Per/C	Unit Ctn.	Mstr. Ctn.
CSR502	1/2"	2-1/4"	13/16"	3/16"	1-13/16"	2	100	1000
CSR752	3/4"	2-5/8"	1-1/16"	3/16"	2-3/16"	3	100	500
CSR1002	1"	3-1/4"	1-5/16"	1/4"	2-9/16"	5	50	250
CSR1252	1-1/4"	4"	1-11/16"	1/4"	3-3/16"	7	30	150
CSR1502	1-1/2"	4-1/4"	1-7/8"	1/4"	3-3/8"	12	25	125
CSR2002	2"	5-1/8"	2-3/8"	3/8"	4-1/4"	15	20	75
CSER2502	2-1/2"	5-7/8"	2-7/8"	3/8"	5"	17	-	20
CSER3002	3"	6-1/2"	3-1/2"	3/8"	5-1/2"	23	-	10
CSER3502	3-1/2"	7/1/8"	4"	7/16"	6-3/16"	26	-	10
CSER4002	4"	7-3/4"	4-1/2"	7/16"	6-13/16"	33	-	10

Compliances:

Certified Made in the USA
 Indoor or Outdoor Use
 RoHS Compliant
 REACH Compliant
 CA Prop 65 Compliant
 UNSPSC 31162310



Available OPTIONS:

1 Hole Straps EMT and Rigid

One-Hole BX Type

Cat. #	Size	Unit Ctn	Std Pkg	WT/ 100
CSBX381	12-2, 12-3, 10-2, 10-3	100	1000	1