

## Rigid Conduit One Hole Straps

Size Range: 1/2" - 4"

Product Series: CSR - 1 Hole Rigid Conduit Strap

Material: Steel Construction

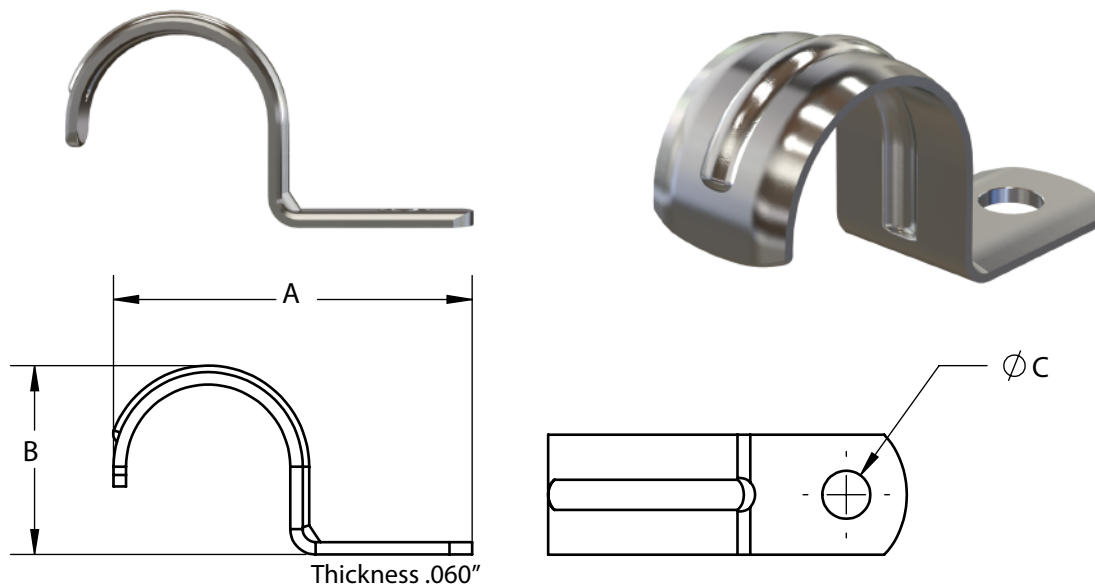
Bright Electro Zinc Plated

Made in the USA

### Industrial SPEC-grade

CSR Series Steel RGS Straps

AMFICO Steel One Hole Straps Snap On to the Conduit Allowing the Installer to Easily Position the Strap Prior to Mounting. Alignment of Conduit is Quick and Easy.



Cat #	TRADE SIZE	A LENGTH	B HEIGHT	C HOLE ID	Unit Ctn.	Mstr. Ctn.	Wt. Per/C
CSR501	1/2"	1-5/8"	11/16"	1/4"	100	1000	3
CSR751	3/4"	1-7/8"	15/16"	1/4"	100	500	4
CSR1001	1"	2-1/8"	1-3/16"	5/16"	50	250	6
CSR1251	1-1/4"	2-3/4"	1-1/2"	3/8"	30	150	9
CSR1501	1-1/2"	3"	1-3/4"	3/8"	25	125	13
CSR2001	2"	3-3/4"	2-3/16"	7/16"	20	100	17
CSER2501	2-1/2"	4-3/4"	2-7/8"	9/16"	-	20	42
CSER3001	3"	5-3/8"	3-1/2"	9/16"	-	10	49
CSER3501	3-1/2"	6"	4"	9/16"	-	10	71
CSER4001	4"	6-1/2"	4-1/2"	9/16"	-	10	78

#### Compliances:

Certified Made in the USA

Indoor or Outdoor Use

RoHS Compliant

REACH Compliant

CA Prop 65 Compliant

UNSPSC 31162310



#### Available OPTIONS:

2 Hole Straps EMT and Rigid

One-Hole BX Type

Cat. #	Size	Unit Ctn	Std Pkg	WT/ 100
CSBX381	12-2, 12-3, 10-2, 10-3	100	1000	1