

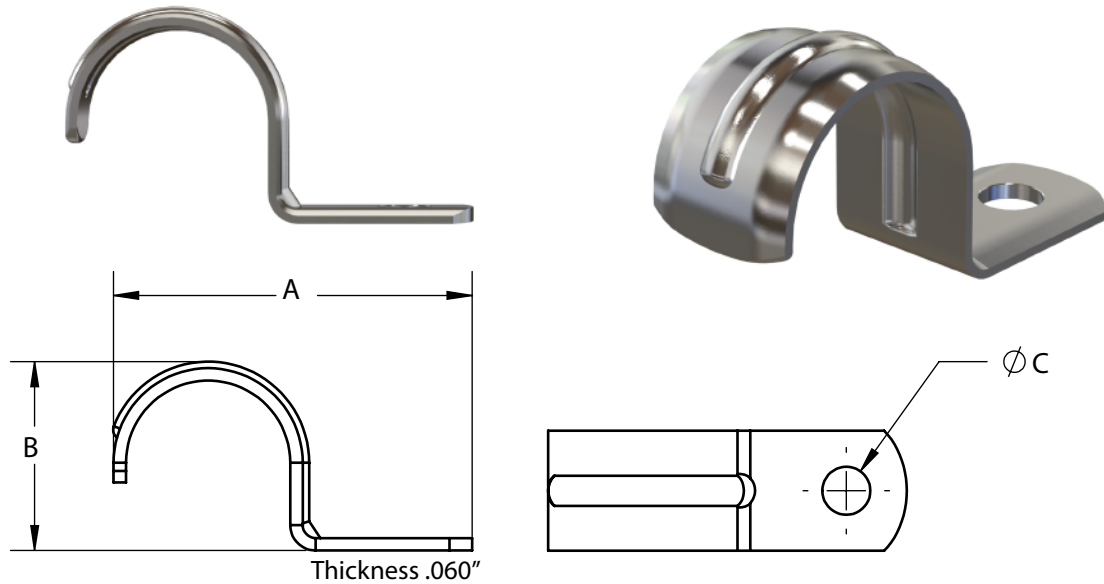
## EMT One Hole Straps

**Size Range:** 1/2" - 4"  
**Product Series:** CSE - 1 Hole EMT Strap  
**Material:** Steel Construction  
**Bright Electro Zinc Plated**  
*Made in the USA*

### Industrial SPEC-grade

CSE Series Steel EMT Straps

AMFICO Steel One Hole Straps Snap On to the Conduit Allowing the Installer to Easily Position the Strap Prior to Mounting. Alignment of EMT is Quick and Easy.



| Cat #    | TRADE SIZE | A LENGTH | B HEIGHT | C HOLE ID | Unit Ctn. | Mstr. Ctn. | Wt. Per/C |
|----------|------------|----------|----------|-----------|-----------|------------|-----------|
| CSE501   | 1/2"       | 1-5/8"   | 11/16"   | 1/4"      | 100       | 1000       | 3         |
| CSE751   | 3/4"       | 1-7/8"   | 15/16"   | 1/4"      | 100       | 500        | 4         |
| CSE1001  | 1"         | 2-1/8"   | 1-3/16"  | 5/16"     | 50        | 250        | 6         |
| CSE1251  | 1-1/4"     | 2-3/4"   | 1-1/2"   | 3/8"      | 30        | 150        | 9         |
| CSE1501  | 1-1/2"     | 3"       | 1-3/4"   | 3/8"      | 25        | 125        | 13        |
| CSE2001  | 2"         | 3-3/4"   | 2-3/16"  | 7/16"     | 20        | 100        | 17        |
| CSER2501 | 2-1/2"     | 4-3/4"   | 2-7/8"   | 9/16"     | -         | 20         | 42        |
| CSER3001 | 3"         | 5-3/8"   | 3-1/2"   | 9/16"     | -         | 10         | 49        |
| CSER3501 | 3-1/2"     | 6"       | 4"       | 9/16"     | -         | 10         | 71        |
| CSER4001 | 4"         | 6-1/2"   | 4-1/2"   | 9/16"     | -         | 10         | 78        |

#### Compliances:

Certified Made in the USA  
 Indoor or Outdoor Use  
 RoHS Compliant  
 REACH Compliant  
 CA Prop 65 Compliant  
 UNSPSC 31162310



#### Available OPTIONS:

2 Hole Straps EMT and Rigid

#### One-Hole BX Type

| Cat. #  | Size                      | Unit Ctn | Std Pkg | WT/ 100 |
|---------|---------------------------|----------|---------|---------|
| CSBX381 | 12-2, 12-3,<br>10-2, 10-3 | 100      | 1000    | 1       |