

Sealing Gasket & Steel Retention Ring

Size Range: 1/2" - 4"

Product Series: AH MHW Series Sealing Gasket Assembly

Material: Solid Alloy Steel Construction

Retention Ring Zinc Plated with Chromate Finish

Gasket HDPE

Made in the USA

Industrial SPEC-grade

AH Series Sealing Gasket Assembly

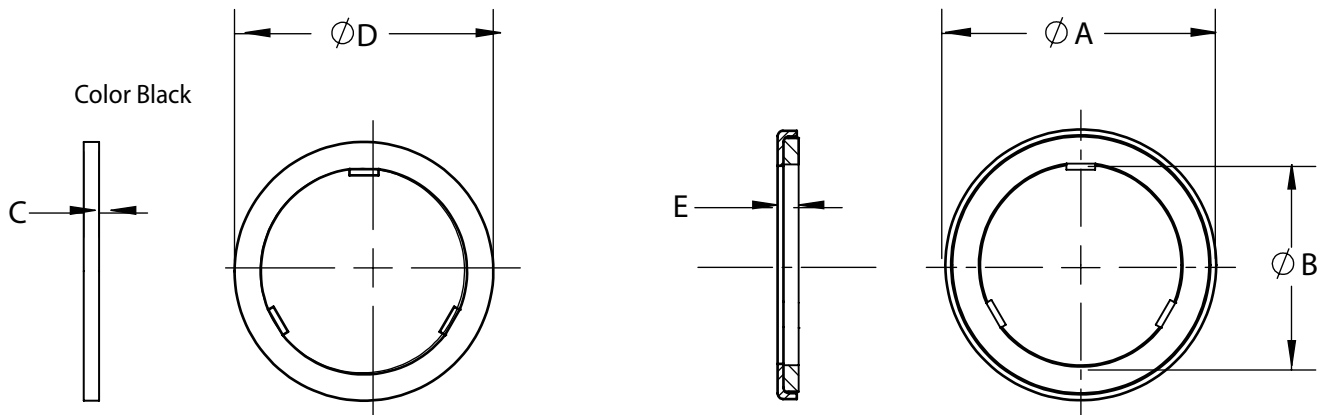
Used to Fasten and Provide Bonding and Sealing to an Enclosure.
Sold as Single Assembly.

For Use With: American Fittings AH Watertight Hubs, CG Cord Grips, and STG Liquid Tight Fittings
Meets UL 514 B and NEMA FB-1
When Used in Conjunction with these American Fittings Product Groups
Tested Liquid Tight NEMA 4X, and RainTight



Sealing Gasket

Retention Ring/Cup Washer



* Each Cat # includes 1 Sealing Gasket and 1 Retention Ring

Cat #*	Trade Size	A Outer Diameter	B Inner Diameter	C Gasket Thickness	D Gasket Outer Diameter	E Total Thickness Assembly
MWH50	1/2"	1-1/4"	7/8"	5/64"	1-1/8"	1/8"
MWH75	3/4"	1-7/16"	1-1/16"	5/64"	1-1/16"	1/8"
MWH100	1"	1-11/16"	1-1/4"	5/64"	1-5/8"	1/8"
MWH125	1-1/4"	2-1/16"	1-5/8"	5/64"	1-15/16"	1/8"
MWH150	1-1/2"	2-5/16"	1-7/8"	5/64"	2-1/4"	1/8"
MWH200	2"	2-3/4"	2-3/8"	5/64"	2-11/16"	1/8"
MWH250	2-1/2"	3-7/16"	2-13/16"	5/32"	3-3/8"	3/16"
MWH300	3"	4-3/16"	3-7/16"	5/32"	4-1/16"	3/16"
MWH350	3-1/2"	4-11/16"	3-15/16"	5/32"	4-5/8"	3/16"
MWH400	4"	5-3/16"	4-7/16"	5/32"	5-1/8"	3/16"