

Sealing Washer

Size Range: 1/2" - 4"

Product Series: SW Molded Sealing Washer

Materials: Polyethylene HDPE

Color: Green

Made in the USA

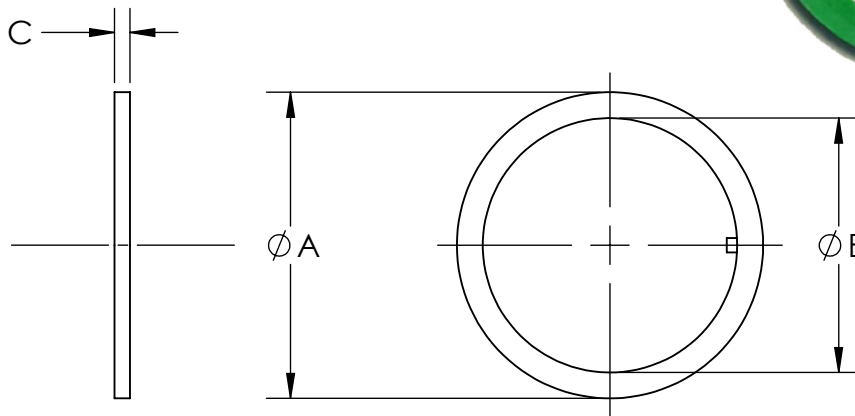
Use :

HDPE Washer Provides Positive Seal Against Water, Oils & Other Liquids When Used in Conjunction with a Locknut or Threaded Fitting into a Threaded Housing

Same Washer Used on our RainTight and Liquid Tight Fittings

Industrial SPEC-grade

Sealing washers are commonly used with cable glands or similar fittings entering an enclosure. While these products are not threaded, they are available with clearance holes to accommodate NPT threads.



Cat #	Trade Size	A Outer Diameter	B Inner Diameter	C Thickness	Std Pkg.	Wt. /c
SW50	1/2"	1-1/8"	7/8"	5/64"	500	.50
SW75	3/4"	1-3/8"	1-1/16"	5/64"	500	.50
SW100	1"	1-5/8"	1-1/4"	5/64"	250	1
SW125	1-1/4"	1-15/16"	1-5/8"	5/64"	250	1
SW150	1-1/2"	2-1/4"	1-7/8"	5/64"	250	1
SW200	2"	2-11/16"	2-3/8"	5/64"	250	2
SW250	2-1/2"	3-3/8"	2-13/16"	5/32"	100	2
SW300	3"	4-1/16"	3-7/16"	5/32"	100	2
SW350	3-1/2"	4-5/8"	3-15/16"	5/32"	50	2
SW400	4"	5-1/8"	4-7/16"	5/32"	50	2

Compliances:

Certified Made in the USA

RoHS Compliant

REACH Compliant

CA Prop 65 Compliant

UNSPSC 39121311