

# Rigid Set Screw Steel Coupling

Industrial SPEC-grade

**Size Range:** 1/2" - 4" 2 1/2" thru 4" are UL Listed & Approved for Use on Both EMT & Rigid

**Product Series:** SNT - Rigid / IMC Set Screw Coupling

**Material:** Solid Alloy Steel Construction

Zinc Plated with a Chromate Finish

**Made in the USA**

*Twice the Strength and Durability of All Die Cast and Malleable Iron Fittings*

**Features:**

Precision Machined Body and Scw Holes

Fully Avoids Cracking or Distortion from Tightening Set Screws

AMFICO EZ *Torque* Tri-Head Steel Screws Will Not Crack, Vibration Resistant

May be Installed Using Slotted, Phillips or Robertson Driver

2 1/2" - 4" Feature Two Hex Screws per Connection

UL Rated Concrete Tight When Taped

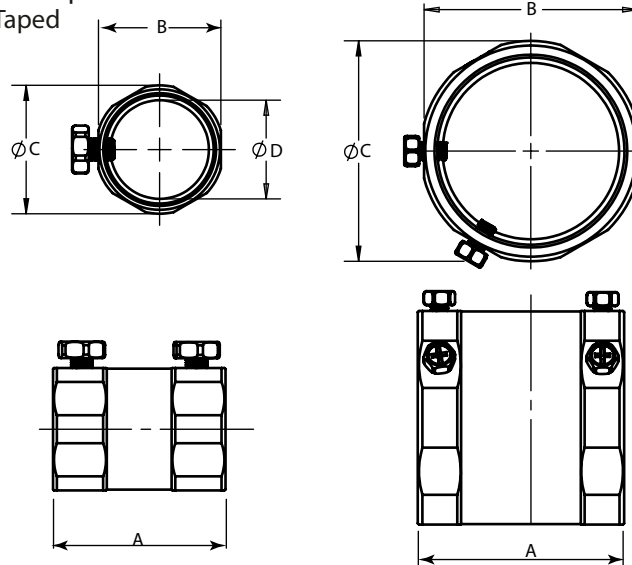


Set Screw Coupling



1/2" thru 2" have one set screw per end  
2 1/2" thru 4" have two set screws per end

*Recommended Torque  
160-200 in-lb*



1/2" to 2" - 1 Steel SS Per End  
2 1/2" to 4" - 2 Steel SS Per End  
Drives Fast & True

Cat #	TRADE SIZE	A LENGTH	B HEX	C DIAMETER	D DIAMETER	Wt. Per/C
SNT1760	1/2"	1-1/2"	7/8"	7/8"	11/16"	8
SNT1761	3/4"	1-1/2"	1-1/16"	1-1/8"	7/8"	10
SNT1762	1"	1-7/8"	1-3/8"	1-3/8"	1-1/8"	20
SNT1763	1-1/4"	2-3/16"	1-11/16"	1-3/4"	1-1/2"	29
SNT1764	1-1/2"	2-5/8"	1-15/16"	2-1/16"	1-11/16"	42
SNT1765	2"	2-11/16"	2-7/16"	2-1/2"	2-1/8"	54
ERS250CPLG (1)	2-1/2"	2-9/16"	3-1/4"	3-7/16"	2-13/16"	108
ERS300CPLG (1)	3"	2-5/8"	3-15/16"	4"	3-7/16"	129
ERS350CPLG (1)	3-1/2"	2-5/8"	4-7/16"	4-9/16"	3-15/16"	154
ERS400CPLG (1)	4"	2-5/8"	4-15/16"	5-1/8"	4-7/16"	172

**(1) 2 1/2" to 4" are UL Listed & Approved for use on BOTH EMT & Rigid Conduit. Product is stamped accordingly.**

**Compliances:**

Certified Made in the USA

UL 514B, 467

Set Screw Fittings Concrete Tight When Taped

NEMA Standard FB1

Federal Standard A-A-50553

Certified for MIL-STD 810 Sinusoidal Vibrations

CSA Standard: C22.2 No. 18F

RoHS Compliant

REACH Compliant

CA Prop 65 Compliant

UNSPSC 39121434



**Available OPTIONS:**

Compression Configuration including Rain Tight

Color Coded Painted (powder coated) Fittings - See Catalog Page

# Rigid Set Screw Steel Connector

**Size Range: 1/2" - 4"** 2 1/2" thru 4" are UL Listed & Approved for Use on Both EMT & Rigid

**Product Series: SNT - Rigid / IMC Set Screw Connector**

**Material: Solid Alloy Steel Construction**

Zinc Plated with a Chromate Finish

**Made in the USA**

*Twice the Strength and Durability of All Die Cast and Malleable Iron Fittings*

**Features:**

Precision Machined Body and Scw Holes

Fully Avoids Cracking or Distortion from Tightening Set Screws

AMFICO EZ **Torque** Tri-Head Steel Screws Will Not Crack, Vibration Resistant

May be Installed Using Slotted, Phillips or Robertson Driver

2 1/2" - 4" Feature Two Hex Screws per Connection

UL Rated Concrete Tight When Taped

## Industrial SPEC-grade

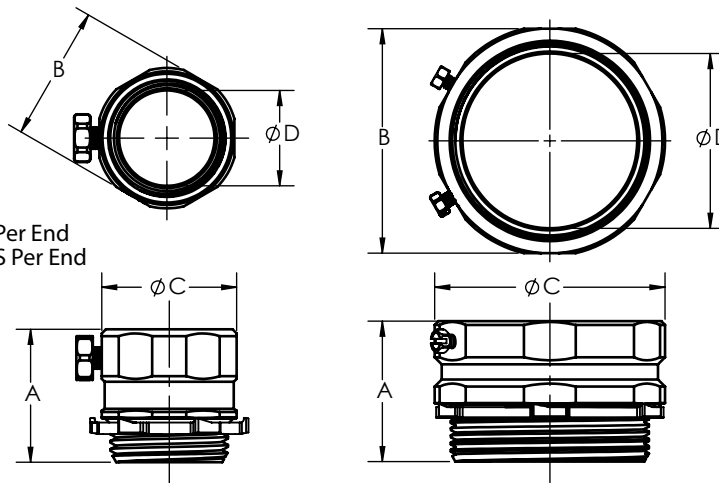


Set Screw Connector  
Shown Below with Insulated Bushing\*



Furnished with a UL Listed  
Steel Locknut

1/2" thru 2" Has One Set Screw  
2 1/2" thru 4" has Two Set Screws  
*Recommended Torque  
160-200 in-lb*



1/2" to 2" - 1 Steel SS Per End  
2 1/2" to 4" - 2 Steel SS Per End  
Drives Fast & True

Cat #	TRADE SIZE	A LENGTH	B HEX	C DIAMETER	D DIAMETER	Wt. Per/C
SNT1750	1/2"	1-1/4"	15/16"	1"	9/16"	10
SNT1751	3/4"	1-1/4"	1-3/16"	1-1/4"	13/16"	13
SNT1752	1"	1-9/16"	1-7/16"	1-1/2"	1-1/16"	21
SNT1753	1-1/4"	1-3/4"	1-13/16"	1-7/8"	1-3/8"	33
SNT1754	1-1/2"	2"	2-1/16"	2-3/16"	1-9/16"	46
SNT1755	2"	2"	2-9/16"	2-11/16"	2"	62
ERS250CONN (1)	2-1/2"	2-1/2"	3-1/4"	3-7/16"	2-7/16"	117
ERS300CONN (1)	3"	2-9/16"	3-15/16"	4"	3"	167
ERS350CONN (1)	3-1/2"	2-9/16"	4-7/16"	4-9/16"	3-1/2"	206
ERS400CONN (1)	4"	2-9/16"	4-15/16"	5-1/8"	3-15/16"	247

**(1) 2 1/2" to 4" are UL Listed & Approved for use on BOTH EMT & Rigid Conduit. Product is stamped accordingly.**

**Compliances:**

Certified Made in the USA

UL 514B, 467

Set Screw Fittings Concrete Tight When Taped

NEMA Standard FB1

Federal Standard A-A-50553

Certified for MIL-STD 810 Sinusoidal Vibrations

CSA Standard: C22.2 No. 18F

RoHS Compliant

REACH Compliant

CA Prop 65 Compliant

UNSPSC 39121434



**Available OPTIONS:**

\* Factory Installed 105° UL Rating Insulated Bushing-  
*For this Option, Add Suffix B to Above Cat Number*

Compression Configuration including Rain Tight

Color Coded Painted (powder coated) Fittings- *See Catalog Page*