

# Rigid Steel Comp. NT Coupling

Industrial SPEC-grade

Size Range: 1/2" - 4" 2 1/2" thru 4" are UL Listed & Approved for Use on Both EMT & Rigid

Product Series: NT Rigid / IMC Compression Coupling

Material: Solid Alloy Steel Construction

Zinc Plated with a Chromate Finish \*\*

Made in the USA

**Features:**

Precision Machined Cut Threads

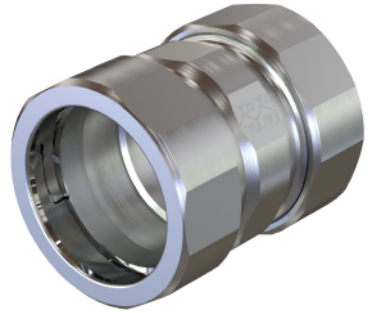
AMFICO EZ Torque Solid Steel Compression Nuts

Easily Torques Tight and Right

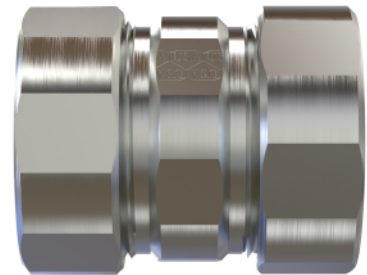
UL Rated Concrete Tight Suitable for Direct Burial \*\*\*

Suitable for Use with UL Listed Rigid AL Conduit

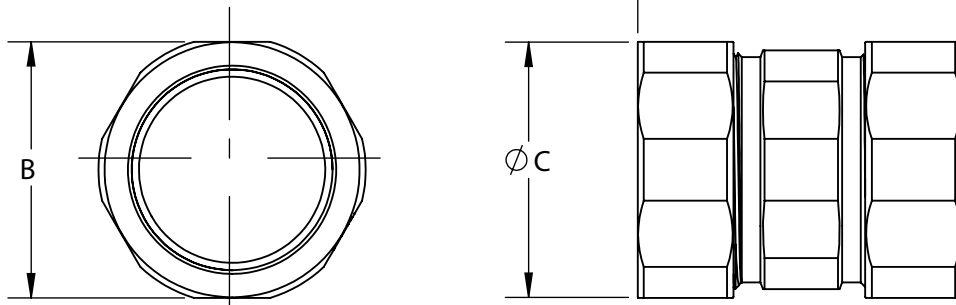
Twice the Strength and Durability with a Fraction of the Weight and Size of Malleable Iron



Compression Coupling



Full FLAT HEX Surface for EZ Torque Steel Compression Nuts Torques Tight & Right



Cat #	TRADE SIZE	A LENGTH	B HEX	C DIAMETER	Wt. Per/C
NT2760	1/2"	1-13/16"	1-1/8"	1-3/16"	16
NT2761	3/4"	2-1/8"	1-3/8"	1-7/16"	24
NT2762	1"	2-7/16"	1-11/16"	1-3/4"	48
NT2763	1-1/4"	2-13/16"	2-1/16"	2-3/16"	64
NT2764	1-1/2"	3-1/8"	2-15/16"	2-3/8"	110
NT2765	2"	3-1/4"	2-13/16"	2-7/16"	140
ERC250CPLG (1)	2-1/2"	3-13/16"	3-1/4"	3-7/16"	150
ERC300CPLG (1)	3"	3-15/16"	3-15/16"	4"	192
ERC350CPLG (1)	3-1/2"	3-15/16"	4-7/16"	4-9/16"	229
ERC400CPLG (1)	4"	4"	4-15/16"	5-1/8"	266

(1) 2 1/2" to 4" UL Listed and Rated for both EMT & Rigid Conduit. Product is stamped accordingly.

**Compliances:**

Certified Made in the USA

UL 514B, 467

Suitable for Use with UL Listed Rigid AL Conduit

Concrete Tight and Suitable for Direct Burial \*\*\*

NEMA Standard FB1

Federal Standard A-A-50553

Certified for MIL-STD 810 Sinusoidal Vibrations

CSA Standard: C22.2 No. 18F

RoHS Compliant

REACH Compliant

CA Prop 65 Compliant

UNSPSC 39121311



**Available OPTIONS:**

RainTight Configuration - "RT series" See Catalog Page

\*\* Galvanized Plating - Option

For this Option, Add Suffix "G" to Above Cat Number

Color Coded Painted (powder coated) Fittings - See Catalog Page

\*\*\* Rain Tight Series Recommended for Direct Burial Requirements

# Rigid Steel Comp. NT Connector

**Size Range:** 1/2" - 4" 2 1/2" thru 4" are UL Listed & Approved for Use on Both EMT & Rigid

**Product Series:** NT Rigid / IMC Compression Connector

**Material:** Solid Alloy Steel Construction

Zinc Plated with a Chromate Finish \*\*

Made in the USA

Industrial SPEC-grade

**Features:**

Precision Machined Cut Threads

AMFICO EZ Torque Solid Steel Compression Nut

Zinc Plated with a Chromate Finish \*\*

UL Rated Concrete Tight Suitable for Direct Burial \*\*\*

Suitable for Use with UL Listed Rigid AL Conduit

Twice the Strength and Durability with a Fraction of the Weight and Size of Malleable Iron

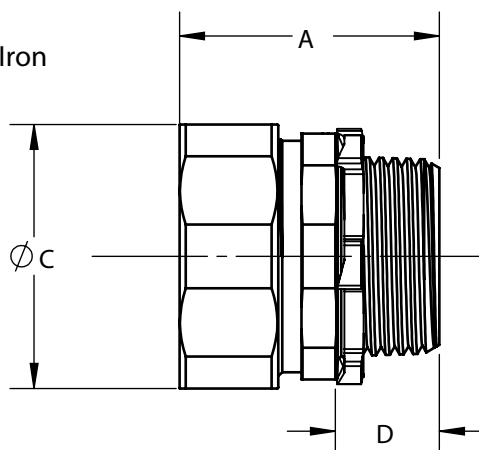
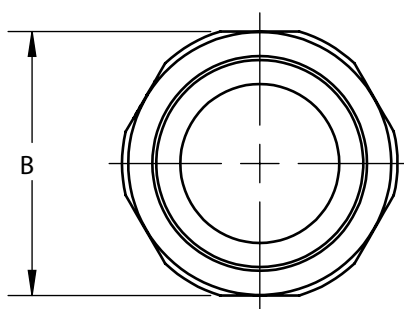
Full FLAT HEX Surface for EZ Torque Steel Compression Nut Torques Tight & Right



Compression Connector Below Shown with Optional Insulated Bushing



Furnished with a UL Listed Steel Locknut



Cat #	TRADE SIZE	A LENGTH	B HEX	C DIAMETER	D THREAD LENGTH	Wt. Per/C
NT2750	1/2"	1-1/2"	1-1/8"	1-3/16"	1/2"	13
NT2751	3/4"	1-5/8"	1-3/8"	1-7/16"	1/2"	20
NT2752	1"	1-15/16"	1-11/16"	1-3/4"	11/16"	36
NT2753	1-1/4"	2-1/8"	2-1/16"	2-3/16"	11/16"	48
NT2754	1-1/2"	2-3/8"	2-5/16"	2-3/8"	3/4"	70
NT2755	2"	2-1/2"	2-13/16"	2-7/8"	3/4"	100
ERC250CONN (1)	2-1/2"	3-7/16"	3-1/4"	3-7/16"	1"	120
ERC300CONN (1)	3"	4"	3-15/16"	4"	1"	165
ERC350CONN (1)	3-1/2"	4-9/16"	4-7/16"	4-9/16"	1"	201
ERC400CONN (1)	4"	5-1/8"	4-15/16"	5-1/8"	1"	237

(1) 2 1/2" to 4" UL Listed and Rated for both EMT & Rigid Conduit. Product is stamped accordingly.

**Compliances:**

Certified Made in the USA

UL 514B, 467

Suitable for Use with UL Listed Rigid AL Conduit

Concrete Tight and Suitable for Direct Burial \*\*\*

NEMA Standard FB1

Federal Standard A-A-50553

Certified for MIL-STD 810 Sinusoidal Vibrations

CSA Standard: C22.2 No. 18F

RoHS Compliant

REACH Compliant

CA Prop 65 Compliant

UNSPSC 39121311



**Available OPTIONS:**

Factory Installed 105° UL Rating Insulated Bushing-

For this Option, Add Suffix B to Above Cat Number

**RainTight** Configuration -"RT series" See Catalog Page

\*\* Galvanized Plating - Option

For this Option, Add Suffix "G" to Above Cat Number

Color Coded Painted (powder coated) Fittings- See Catalog Page

\*\*\* Rain Tight Series Recommended for Direct Burial Requirements