

# Rigid Enlarger Fitting Adapter

**Size Range:** 1/2" - 1 1/2"  
**Product Series:** RCE - Rigid Threaded Enlargers  
**Material:** Solid Alloy Steel Construction  
**Zinc Plated with Chromate Finish \*\***  
**Made in the USA**

## Industrial SPEC-grade

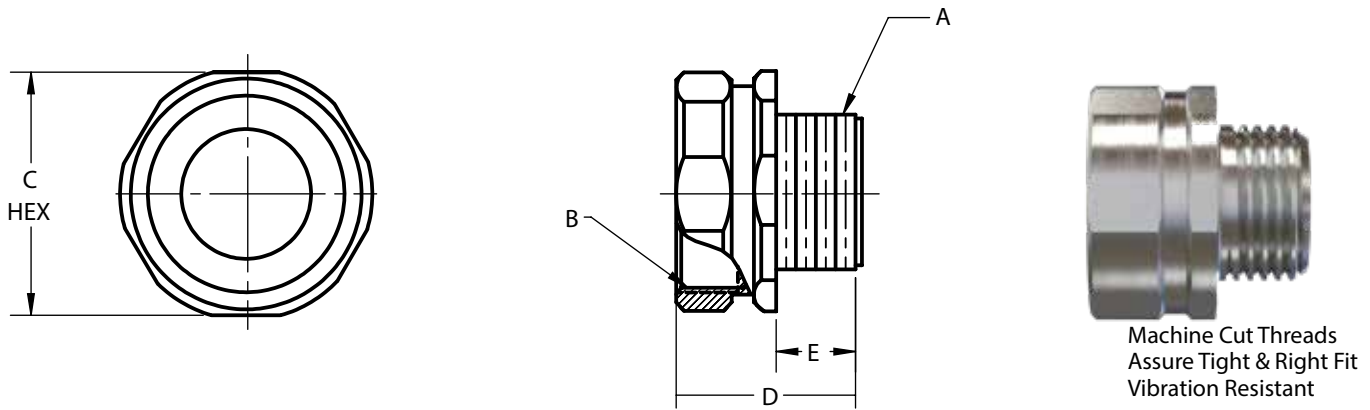
AMFICO rigid conduit enlarger fittings are designed to convert various conduit sizes to efficiently facilitate engineering and design specifications. Their use will eliminate the need for costly rework or tear outs of existing conduit installations. Guaranteed to fit tight and right with threaded RGS.

One Piece Construction  
 Precision Machined from Solid Alloy Bar Stock  
 Machined Cut Threads  
 Full Compression EZ Torque Nuts

Smooth Fully Machined ID for  
 EZ Burr-less Wire Pull



TWICE the Strength and Durability of All Die Cast & Malleable Iron



Part Number	'A' Male Thread	'B' Female Thread	'C' HEX	'D' Length	'E' Length
RCE5075	1/2" NPS	3/4" NPS	1-3/16"	1-3/32"	15/32"
RCE75100	3/4" NPS	1" NPS	1-7/16"	1-1/4"	15/32"
RCE100125	1" NPS	1-1/4" NPS	1-13/16"	1-3/8"	5/8"
RCE125150	1-1/4" NPS	1-1/2" NPS	2"	1-3/8"	5/8"

**Compliances:**

Certified Made in the USA  
 UL 514B, 467  
 Concrete Tight When Taped  
 Suitable for Direct Burial  
 NEMA Standard FB1  
 Federal Standard A-A-50553  
 CSA Standard: C22.2 No. 18F  
 RoHS Compliant  
 REACH Compliant  
 CA Prop 65 Compliant  
 UNSPSC 39131707



**Available OPTIONS:**

\*\* Galvanized Plating - Option  
 For this Option, Add Suffix "G" to Above Cat Number