

# Rigid Steel Bushings Set Screw

Size Range: 1/2" - 4"

Product Series: RCBNT Grounding Bonding Bushings No Threads

Furnished without Ground Lug\*

Material: Solid Alloy Steel Construction

Zinc Plated with Chromate Finish \*\*

Made in the USA

Furnished with Factory Installed Insulated Throat Bushing  
UL Listed 150 deg. C

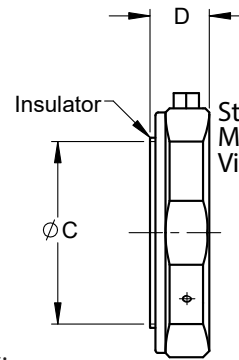
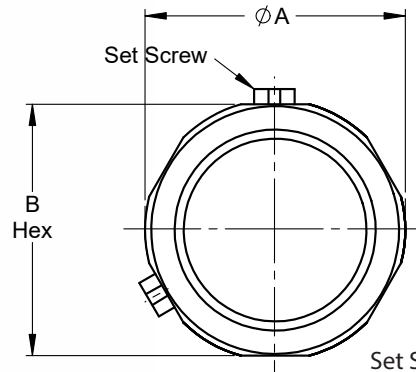
Twice the Strength and Durability of Die Cast & Malleable Iron

## Industrial SPEC-grade

For Use On NT Rigid/imc and EMT Conduit to Provide a Means of Grounding Non-Threaded Conduit Through an Insulated Bushing.

Suitable for RGS, IMC Conduit and EMT

Fully Machined ID for EZ Pull of Wires and Provides Protection for Wires.



Set Screws:  
1/2" - 2" furnished with 1 set screw  
2 1/2" - 4" furnished with 2 set screws

Cat #	Trade Size	Ø A	B (Hex)	Ø C	D	Wt. Per/C
RCB 50BNT	1/2"	1-1/8	1-1/16	9/16	11/16	5
RCB 75BNT	3/4"	1-1/4	1-3/16	3/4	11/16	5
RCB100BNT	1"	1-1/2	1-7/16	1	13/16	7
RCB125BNT	1-1/4"	1-7/8	1-13/16	1-1/4	7/8	12
RCB150BNT	1-1/2"	2-3/16	2-1/16	1-1/2	7/8	14
RCB200BNT	2"	2-11/16	2-9/16	1-15/16	7/8	18
RCB250BNT	2-1/2"	3-7/16	3-1/4	2-1/4	1-1/16	58
RCB300BNT	3"	4	3-15/16	2-7/8	1-1/16	70
RCB350BNT	3-1/2"	4-9/16	4-7/16	3-1/4	1-1/16	85
RCB400BNT	4"	5-1/8	4-15/16	3-3/4	1-1/16	93

### Compliances:

Certified Made in the USA  
UL 514B, 467  
Insulated Throat Bushing is UL Listed & 150° Rated  
NEMA Standard FB1  
Federal Standard A-A-50553  
CSA Standard: C22.2 No. 18F  
RoHS Compliant  
REACH Compliant  
CA Prop 65 Compliant  
UNSPSC 39121312



### Available OPTIONS

Aluminum Construction for Aluminum Conduit -  
**Add Suffix AL to Cat #**

\* If Ground Lug is Required, REFER to Cat # GB Series\

GB Series Available Threaded (Rigid) and NT (EMT and Rigid)

\*\*Galvanized Plating - Option

For this Option, Add Suffix "G" to Above Cat Number

# Rigid Steel Bushings - Threaded

Size Range: 1/2" - 4"

Product Series: RCB Rigid Conduit Bushings Threaded  
Furnished Without a Ground Lug\*

Material: Solid Alloy Steel Construction

Zinc Plated with Chromate Finish\*\*

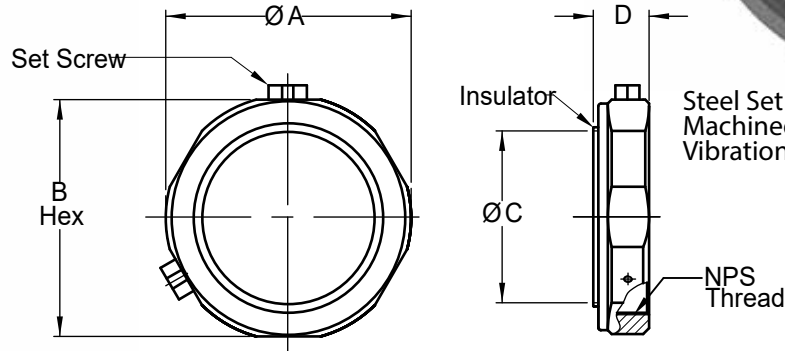
Made in the USA

Solid Steel Construction with Factory Installed Insulator  
Precision Cut Machined Threads  
Flat Hex Surface for Full Torque Values  
Insulator Throat Bushing Prevents Damage to Wire

Twice the Strength and Durability of Die Cast & Malleable Iron

## Industrial SPEC-grade

For Use On Threaded Rigid/imc Conduit to Provide a Means of Grounding Threaded Conduit Through an Insulated Bushing.



Steel Set Screws in Machined Threaded Holes  
Vibration Resistant

Set Screws: 1/2" - 2" furnished with 1 set screw - 2 1/2" - 4" furnished with 2 set screws

Cat #	Trade Size	Thread	Ø A	B (Hex)	Ø C	D	Wt. Per/C
RCB 50B	1/2"	1/2" - 14 NPS	1-1/8	1-1/16	9/16	11/16	7
RCB 75B	3/4"	3/4" - 14 NPS	1-1/4	1-3/16	3/4	11/16	7
RCB100B	1"	1" - 11.5 NPS	1-1/2	1-7/16	1	13/16	10
RCB125B	1-1/4"	1-1/4" - 11.5 NPS	1-7/8	1-13/16	1-1/4	7/8	16
RCB150B	1-1/2"	1-1/2" - 11.5 NPS	2-3/16	2-1/16	1-1/2	7/8	20
RCB200B	2"	2 - 11.5 NPS	2-11/16	2-9/16	1-15/16	7/8	26
RCB250B	2-1/2"	2-1/2" - 8 NPS	3-7/16	3-1/4	2-1/4	1-1/16	70
RCB300B	3"	3" - 8 NPS	4	3-15/16	2-7/8	1-1/16	85
RCB350B	3-1/2"	3-1/2" - 8 NPS	4-9/16	4-7/16	3-1/4	1-1/16	104
RCB400B	4"	4" - 8 NPS	5-1/8	4-15/16	3-3/4	1-1/16	115

### Compliances:

- Certified Made in the USA
- UL 514B, 467
- Insulated Throat Bushing is UL Listed & 150° Rated
- NEMA Standard FB1
- Federal Standard A-A-50553
- CSA Standard: C22.2 No. 18F
- RoHS Compliant
- REACH Compliant
- CA Prop 65 Compliant
- UNSPSC 39121312



### Available Options:

Aluminum Construction for Aluminum Conduit -  
Add Suffix AL to Cat #

#### \* Grounding Lug Options:

- Aluminum Ground Lug See Group GBGL
- Copper Lug Add Suffix CU to Cat #
- Consult Factory for Tin Plated Aluminum Lugs
- Other Wire Lug Sizes Consult Factory

#### \*\* Galvanized Plating - Option

For this Option, Add Suffix "G" to Above Cat Number

GB Series Available Threaded and NT With and Without Lugs