



3 Piece Couplings Steel

Product Series: ER Threaded 3 Piece Couplings

Material: Solid Alloy Steel Construction

Zinc Plated with a Chromate Finish **

Made in the USA

Industrial SPEC-grade

AMFICO threaded three piece couplings join two lengths of threaded conduit when neither can be turned.

Features:

Twice the Strength and Durability with
a Fraction of the Weight and Size of Malleable Iron

Rain Tight Design

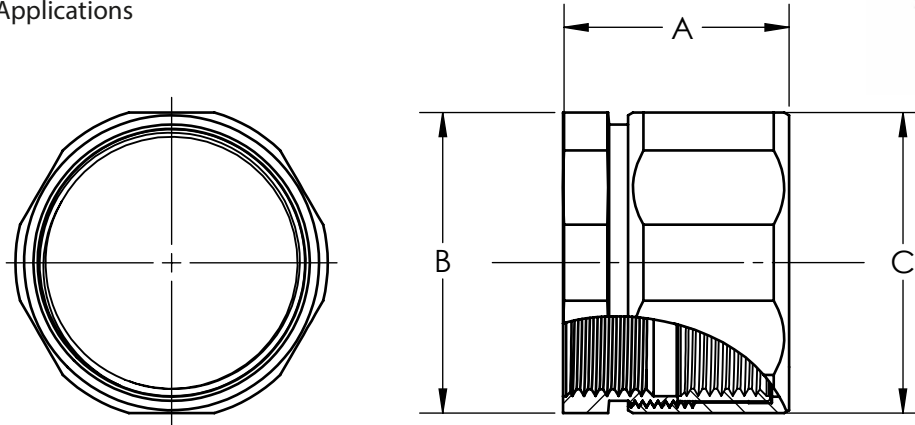
Precision Machined Cut Threads Prevents Lazy or Cross Threading*

AMFICO EZ **Torque** Flat Hex Surfaces

Easily Torques to Full Values for True & Tight Alignment

Suitable for Concrete Tight, Rain Tight, and

Direct Burial Applications



*** TRUE & TIGHT ALIGNMENT**

AMFICO's Precision Machine Cut Alloy Steel Assures a
Brinell Hardness Two Times Die Cast or Malleable Products
PREVENTS Soft Thread Causing Misaligned Pipe and
PROVIDES Full Torque Value to Guarantee Tight and Right Connection

Cat #	TRADE SIZE	A LENGTH	B HEX	C HEX	Wt. Per/C
ER50	1/2"	1-1/16"	1-1/16"	1-1/8"	12
ER75	3/4"	1-1/16"	1-1/4"	1-3/8"	16
ER100	1"	1-3/8"	1-9/16"	1-5/8"	28
ER125	1-1/4"	1-11/16"	2"	2-1/16"	49
ER150	1-1/2"	1-3/4"	2-3/16"	2-5/16"	62
ER200	2"	1-7/8"	2-11/16"	2-13/16"	88
ER250	2-1/2"	2-7/16"	3-1/4"	3-1/4"	148
ER300	3"	2-7/16"	3-15/16"	3-15/16"	183
ER350	3-1/2"	2-11/16"	4-7/16"	4-7/16"	212
ER400	4"	2-11/16"	4-15/16"	4-15/16"	454

** Galvanized Plating Available - For this Option, Add Suffix "G" to Above Cat Number

Compliances:

Certified Made in the USA

UL 514B, 467

Class 2 Div 2 Article 500.8(B)(3)

Suitable for Concrete Tight, Rain Tight,

and Direct Burial Applications

NEMA Standard FB1

Federal Standard A-A-50553

CSA Standard: C22.2 No. 18F

RoHS Compliant

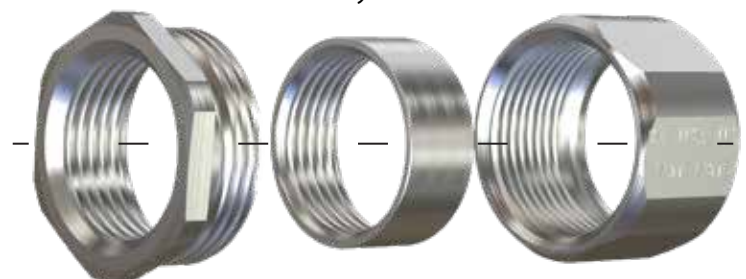
REACH Compliant

CA Prop 65 Compliant

UNSPSC 39131707



Our Consistency Has You Centered



Consistent Precision Centerline on All 3 Components
Makes for Easy Alignment of Your Conduit
STRENGTH of a Steel Fitting on Your Steel Conduit