



Jacketed MC Cable Connector PVC MC/TECK Cable Connector

Size Range: 1/2 - 1 1/4" Page 1

Product Series: **SPECTECK Connectors**

Material: **Alloy Steel Construction Zinc Plated with a Chromate Finish***
Used to Secure PVC Jacketed Armored Cable to a Box or Enclosure.

Made in the USA

SPECTECK PVC Jacketed AC Cable fittings may be used for branch circuit and feeder wiring for lighting, control, and signal circuits in wet, dirty, or oily locations, buried directly in earth or concrete, surface mounted or trenched.

SPECTECK fittings are the next generation of AC MC connectors. They are designed to accommodate a broad range of cables. Each trade sized hub range overlaps the adjacent hub range, thereby minimizing the possibility of mismatched cables and fittings in the field.

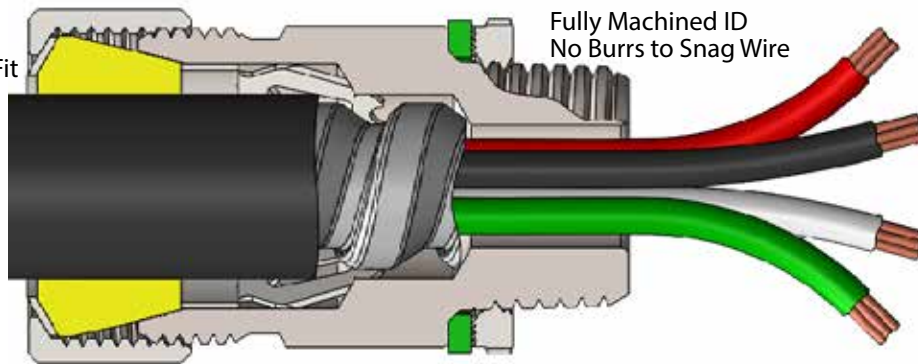
Most times there is no need to disassemble fitting to install.
The grommet factory installed is based on the most popular cable size.

Industrial SPEC-grade



SPECTECK

Furnished with Color Coded
Sized Grommets to Precisely Fit
Your Cord - see page 2



The **STRONGEST & MOST Durable** AC MC Connector Made,
Twice the Strength and Durability of ALL Die Cast & Malleable Iron Fittings

*Alloy Steel
Fully Machined
Compression Nut
Domed Top to
Shed Liquids*

Seals Tight & Right



*Steel Compression Ring and
Santoprene Grommet*

*Unique Precise Grounding Ring
Grabs and Retains With Strength
Armored Cord*

*Furnished with Sealing Washer and
Our HDI Locknut*

Compliances:

- Certified Made in the USA
- UL 514B, 467
- NEMA Standard FB1
- Rated NEMA Types 2, 3, 3R, 3, 4X, 5, 12, 13
- NEC: Class I, Division 2
- Class II, Divisions 1 and 2; Class III, Divisions 1 and 2
- Federal Standard A-A-50553
- UL Rated for Wet Locations Guaranteed to Seal Out Liquids, Contaminants & Ingress of Other Fluids
- Suitable for Direct Burial
- CSA Standard: C22.2 No. 18F
- RoHS Compliant
- REACH Compliant
- CA Prop 65 Compliant
- UNSPSC 39121419



Features:

- * Galvanized Plating Option is Available, Consult Factory
- Grommet Material is Santoprene UL TPV 94VO Rating FDA Approved; UV Resistant UL (f1) Rated
- Solid Alloy Steel Construction Fully Precision Machined Provides Full Torque Values to Avoid Conduit Pullout and Maintains Full Grounding
- Unlike Die Cast, Fitting Will Not Deform or Crack Under Load
- Solid Steel Double Grip Tight Retaining Saddle Safeguards the Conduit Jacket from Abrasion and Reduces the Torque Required for a Secure Connection

Jacketed MC Cable Connector PVC MC/TECK Cable Connector

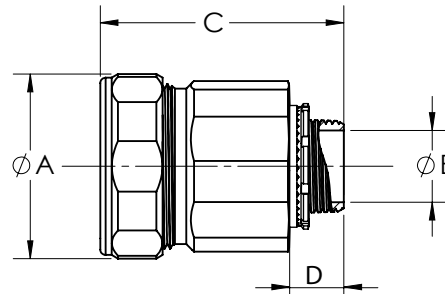
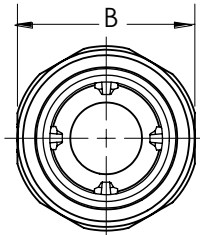
Size Range: 1/2 - 1 1/4" Page 2

Product Series: SPECTECK Connectors

Industrial SPEC-grade

Greater Cable Ranges with
Less Catalog Numbers

Always the Size You Need
When You Need It.



Each Catalog Number is furnished with the color sized grommets as shown for that cable range.

Cat #	Trade Size	Strip Outer Jacket (2)	Cable Range Over Jacket	Cable Range Over Armor	Grommet Colors Included-Kit	Ø A	B (Hex)	C*	D	Ø E
TECK50 <i>Kit Example Shown Below</i>	1/2"	3/8"-1/2"	.485-.585	.405-.505	Yellow	1-3/16"	1-1/8"	2"	5/8"	.440
			.560-.610	.480-.530	Grey					
			.610-.720	.500-.610	Black					
TECK50L	1/2"	13/16"-7/8"	.670-.750	.620-.700	Yellow	1-7/16"	1-1/4"	2-1/4"	5/8"	.610
			.750-.825	.700-.735	Grey					
TECK50XL	1/2"	13/16"-7/8"	.825-.875	.745-.795	Grey	1-5/8"	1-9/16"	2-1/2"	5/8"	.610
			.875-1.000	.795-.920	Red					
TECK75	3/4"	13/16"-7/8"	.875-1.000	.795-.920	Red	1-5/8"	1-9/16"	2-1/2"	5/8"	.735
			1.000-1.065	.920-.985	Blue					
TECK75L	3/4"	7/8"-1"	1.065-1.125	.970-1.070	Blue	2-1/16"	2"	2-13/16"	5/8"	.790
			1.125-1.250	1.070-1.160	Brown					
TECK100	1"	7/8"-1"	1.065-1.125	.970-1.070	Blue	2-1/16"	2"	2-13/16"	5/8"	.950
			1.125-1.250	1.070-1.160	Brown					
TECK100L	1"	7/8"-1"	1.250-1.375	1.170-1.250	White	2-1/16"	2"	2-7/8"	11/16"	.970
TECK125	1-1/4"	7/8"-1"	1.380-1.500	1.250-1.375	Blue	2-3/8"	2-5/16"	3-1/2"	11/16"	1.210
			1.500-1.630	1.375-1.505	Green					
TECK125L	1-1/4"	1" - 1-7/16"	1.630-1.750	1.505-1.625	Brown	2-7/8"	2-13/16"	4-5/16"	11/16"	1.350
			1.750-1.880	1.625-1.755	Purple					

Shown: TECK 50 - example - each fitting is individually bagged and comes with full set of instructions and color coded grommet chart.

No need to disassemble the fitting, simply loosen the locknut and insert cable **AFTER** performing Steps 1-3

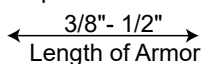
If you need to select a different grommet, simply loosen and slide the nut on the cable - Remove Gray grommet and insert the correct grommet size according to the sizing chart shown below and your cable's OD size.

IMPORTANT FOR PROPER GROUNDING:

Slide the cable all the way into the fitting **until it snaps** into the grounding retention ring.

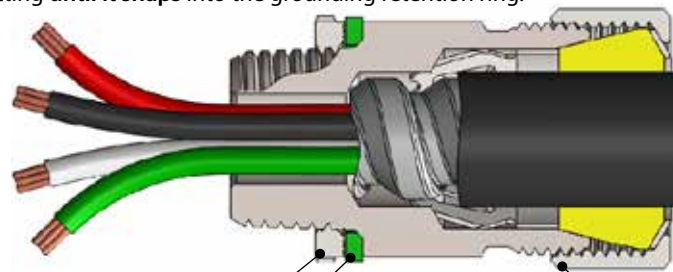
2. BEFORE Installing Fitting

Strip Outer PVC Jacket



3. BEFORE Installing Fitting

Cut Armor Back to the Length Of Conductor Wires You Require For Wiring



Furnished Locknut
Furnished Sealing Washer

Compression Nut

1. BEFORE Installing Fitting

Choose Correct Grommet for the Size Cable You are Using See Chart Below

TECK50 Grommet Size Range Chart

Range Over Jacket OD Min - Max Color to Use	Grommet
.610 - .720	Black
.520 - .610	Grey (i)
.485 - .535	Yellow

(i) Factory Installed

Each fitting is individually bagged with assorted grommets and a color range chart for the additional grommets for that trade size.