

Liquid Tight 90° Fitting Non-Metallic

Size Range: 3/8" - 2"

Product Series: NMLT Seal Tight 90° Connectors

Material: UV Rated PVC

Industrial SPEC-grade

Use With: Type "B" Seal Tight

Applications:

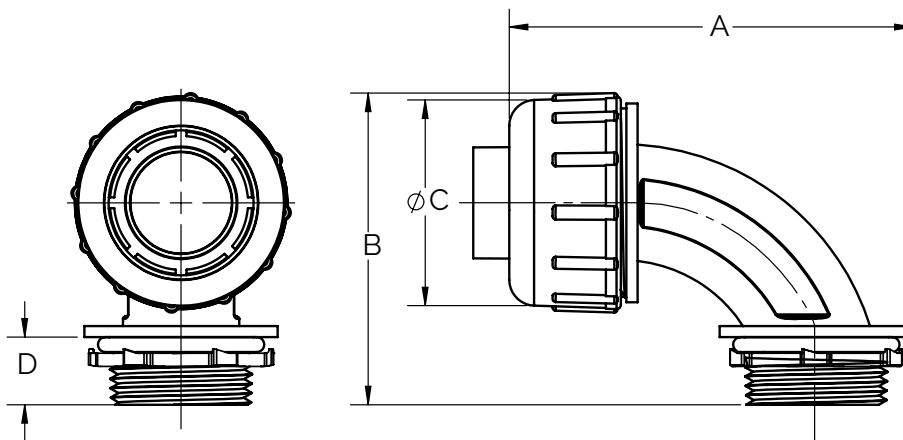
SPEC-grade NMLT Fittings are the ideal choice for environments and applications where product integrity is your prime concern. Applications including; packaging facilities, wastewater treatment equipment, HVAC, pumps

No disassembly of the fitting is required; push the Type B conduit onto the ferrule then tighten the domed sealing nut.

A positive liquid-tight seal is provided by our pressure sensitive internal gland when the nut is tightened. A liquid-tight seal is also assured between the fitting and box by a sealing ring



NPT Threads
Furnished with
Locknut & Sealing Washer



Cat #	TRADE Size	A Length	B Height	C Diameter	D Thread Length	Wt. Per/C
NML3890	3/8"	3-1/16"	2-1/16"	1-1/2"	5/8"	8
NML5090	1/2"	3-1/16"	2-1/16"	1-1/2"	5/8"	7
NML7590	3/4"	3-7/16"	2-3/8"	1-3/4"	5/8"	10
NML10090	1"	3-7/8"	2-7/8"	2-1/16"	3/4"	16
NML12590	1-1/4"	4-5/8"	4-1/4"	2-7/16"	3/4"	32
NML15090	1-1/2"	4-7/8"	4-1/2"	2-11/16"	13/16"	41
NML20090	2"	5-1/8"	5-1/8"	3-3/8"	7/8"	62

Compliances:

UL Standards 514B, 467

UL Listed liquidtight flexible non-metallic conduit fittings are suitable for use in the following hazardous locations under NEC:

- Class I, Division 2;
- Class II, Divisions 1 & 2; and
- Class III, Divisions 1 & 2;

Under NEC Suitable for grounding in sizes 3/8" through 1-1/4"

cUL Standard C22.2 No. 18F

For use with Type B LT conduit
Fitting is rated IP66



UNSPSC 39121420

Available Options:

Fully smooth interior and tough exterior design are ideal for indoor or outdoor locations where continuous or intermittent moisture is present and positive bonding to the conduit, box, or enclosure is required. Together, the NMLT fitting body and steel locknut protect conductors from damage due to excessive vibrations and contaminants, such as moisture, oils, and dust.

Furnished with "O" Ring and Steel Zinc Plated Locknut
90° Angled Connectors Provide a Smooth "Sweep" Radius
Standard NPT Threads
Suitable for indoor/outdoor use

*NMLT Series is NOT Rated nor Recommended for Type A Conduit
See our STR Series*