

True TIGHT Steel Locknuts

Size Range: 1/2" - 4"

Product Series: AHLN True TIGHT Locknuts

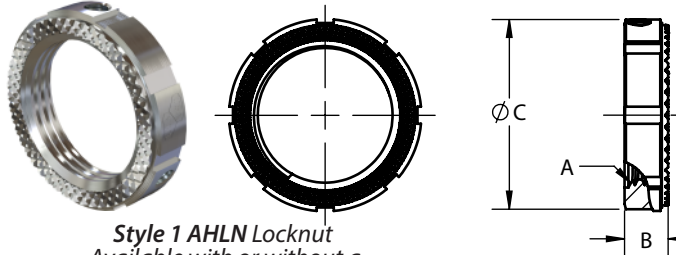
Material: Solid Alloy Steel Construction

Precision Machined Tolerances

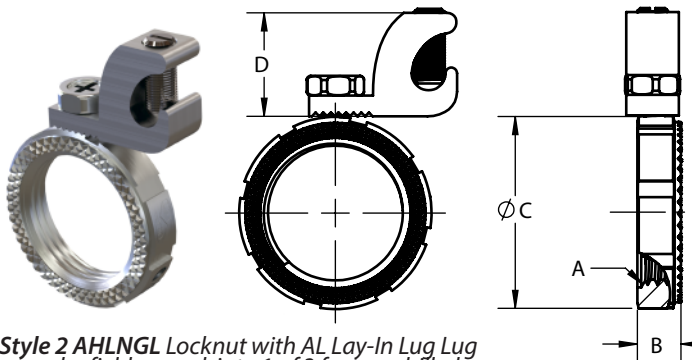
Zinc Plated with Chromate Finish

Made in the USA

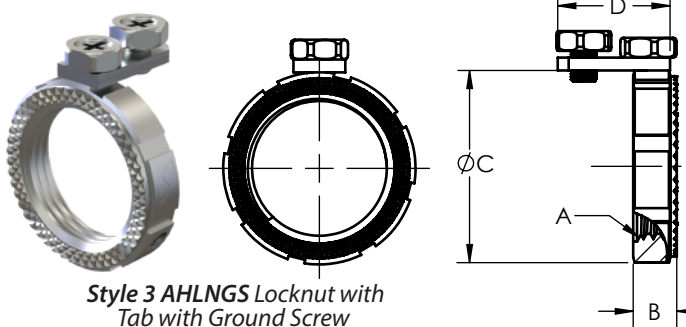
Distinctive Diamond Shaped Knurled Serrations
Bite TIGHT & RIGHT Into All Metals & Finishes
Will Not Vibrate Loose & Maintains Watertight Seal



Style 1 AHLN Locknut
Available with or without a
Single Ground Screw on Locknut



Style 2 AHLNGL Locknut with AL Lay-In Lug Lug
can be field moved into 1 of 3 factory drilled
threaded holes for EZ installation



**Style 3 AHLNGS Locknut with
Tab with Ground Screw**

Compliances:

Certified Made in the USA

UL 514B

NEMA Standard FB1

Federal Standard A-A-50553

UL Standards: 514B, 467

CSA Standard: C22.2 No. 18F

RoHS and REACH Compliant

Prop.65 CA Compliant

UNSPSC 39121311



File # E258495

Industrial SPEC-grade

AMFICO AHLN Series Bonding Locknuts connect threaded Rigid/IMC conduit to an enclosure, offering supply-side equipment bonding and grounding with various options. Solve problems when connector or conduit thread lengths are taken up by thick metal or non-metallic enclosure walls.

Twice the Strength & Durability of ALL
Zinc Cast and Malleable Products

Flat Hex Surfaces Provide a Area to Wrench for
Full Torque Without Distortion or Cracking

CAT #	TRADE SIZE	A INTERNAL THREAD	B LENGTH	C DIAMETER
AH50LN	1/2"	1/2"-14 NPS	5/16"	1-1/4"
AH75LN	3/4"	3/4"-14 NPS	5/16"	1-1/2"
AH100LN	1"	1"-11.5 NPS	7/16"	1-13/16"
AH125LN	1-1/4"	1-1/4"-11.5 NPS	7/16"	2-1/4"
AH150LN	1-1/2"	1-1/2"-11.5 NPS	7/16"	2-3/8"
AH200LN	2"	2"-11.5 NPS	7/16"	2-7/8"
AH250LN	2-1/2"	2-1/2"-8 NPS	5/8"	3-7/16"
AH300LN	3"	3"-8 NPS	5/8"	4"
AH350LN	3-1/2"	3-1/2"-8 NPS	5/8"	4-9/16"
AH400LN	4"	4"-8 NPS	5/8"	5-1/8"

Can Accomodate a Ground Screw or Add Suffix SS to Cat # or Request Cat# AHLN55 from Factory.

CAT #	TRADE SIZE	A INTERNAL THREAD	B LENGTH	C DIAMETER	D LUG HEIGHT
AH50LN-GL	1/2"	1/2"-14 NPS	5/16"	1-1/4"	3/4"
AH75LN-GL	3/4"	3/4"-14 NPS	5/16"	1-1/2"	3/4"
AH100LN-GL	1"	1"-11.5 NPS	7/16"	1-13/16"	3/4"
AH125LN-GL	1-1/4"	1-1/4"-11.5 NPS	7/16"	2-1/4"	3/4"
AH150LN-GL	1-1/2"	1-1/2"-11.5 NPS	7/16"	2-3/8"	3/4"
AH200LN-GL	2"	2"-11.5 NPS	7/16"	2-7/8"	3/4"
AH250LN-GL	2-1/2"	2-1/2"-8 NPS	5/8"	3-7/16"	3/4"
AH300LN-GL	3"	3"-8 NPS	5/8"	4"	3/4"
AH350LN-GL	3-1/2"	3-1/2"-8 NPS	5/8"	4-9/16"	3/4"
AH400LN-GL	4"	4"-8 NPS	5/8"	5-1/8"	3/4"

1/2" to 2" Lug #14-#4 2 1/2" to 4" #8-2/0 Other sizes available consult factory

CAT #	TRADE SIZE	A INTERNAL THREAD	B LENGTH	C DIAMETER	D TAB LENGTH
AH50LN-GS	1/2"	1/2"-14 NPS	5/16"	1-1/4"	13/16"
AH75LN-GS	3/4"	3/4"-14 NPS	5/16"	1-1/2"	13/16"
AH100LN-GS	1"	1"-11.5 NPS	7/16"	1-13/16"	13/16"
AH125LN-GS	1-1/4"	1-1/4"-11.5 NPS	7/16"	2-1/4"	13/16"
AH150LN-GS	1-1/2"	1-1/2"-11.5 NPS	7/16"	2-3/8"	13/16"
AH200LN-GS	2"	2"-11.5 NPS	7/16"	2-7/8"	13/16"
AH250LN-GS	2-1/2"	2-1/2"-8 NPS	5/8"	3-7/16"	13/16"
AH300LN-GS	3"	3"-8 NPS	5/8"	4"	13/16"
AH350LN-GS	3-1/2"	3-1/2"-8 NPS	5/8"	4-9/16"	13/16"
AH400LN-GS	4"	4"-8 NPS	5/8"	5-1/8"	13/16"

Available OPTIONS:

Copper Lugs and Aluminum Ground Lugs with
Various Size Wire Capacity Options Available

Galvanizing Plating Option:

Add suffix "G" to cat # consult factory min.ord. qty.s apply

Alternative Locknuts Product Series:

LN Commerical Grade or LNHD1 Heavy Duty Industrial Grade

Ground Lugs are Manufactured from High Strength 6061-T6 Aluminum, and are
Ideally Suited for Grounding and Bonding Applications

Accommodating Both Copper and Aluminum Conductor Sizes #14 AWG

to 250 KCMIL, UL486B Listed, AL9CU Rated, for Copper and Aluminum Conductor