

## Liquid Tight Straight Fitting

Size Range: 3/8" - 4"

Product Series: STR Seal Tight Fitting Reuseable

Material: Solid Alloy Steel Construction

Stainless Steel T316 Mesh

Fitting is Zinc Plated with a Chromate Finish

*Made in the USA*

**Features:**

Precision Machined Cut Threads NPT

Furnished with Steel Locknut and Sealing Washer and

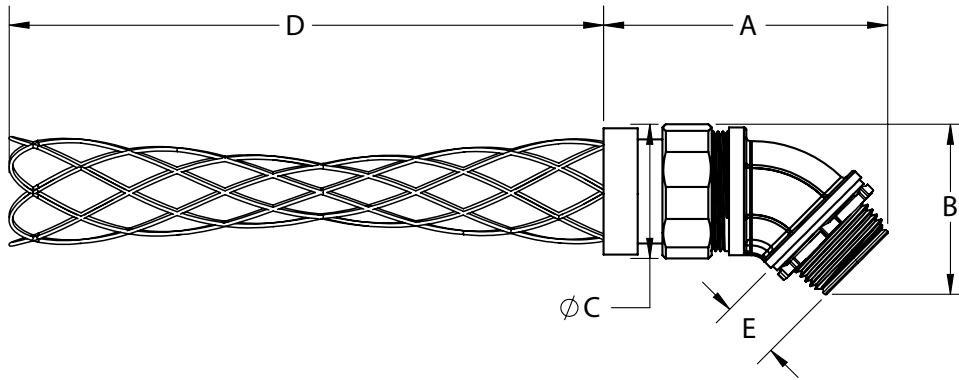
Insulated Throat Bushing 105° Rating

Extra Long Ferrule Engages Conduit Provides Exceptional Retention & Bend Radius

UL Rated Concrete Tight Suitable for Direct Burial

Twice the Strength and Durability of ALL Die Cast and Malleable Products

**Industrial SPEC-grade**



Cat #	Trade Size	A Length	B Height	C Diameter	D Mesh Length	E Thread Length	Wt. Per/C
STR3845GT	3/8"	2-1/4"	1-9/16"	1-1/8"	6"	5/8"	23
STR5045GT	1/2"	2-1/4"	1-11/16"	1-3/16"	6"	5/8"	25
STR7545GT	3/4"	2-1/2"	2"	1-7/16"	6-1/2"	5/8"	36
STR10045GT	1"	2-13/16"	2-1/4"	1-3/4"	7-1/2"	11/16"	59
STR12545GT	1-1/4"	3-1/8"	2-3/4"	2-3/16"	10-1/2"	11/16"	78
STR15045GT	1-1/2"	3-11/16"	2-15/16"	2-3/8"	11-1/2"	3/4"	118
STR20045GT	2"	4-1/8"	3-3/8"	2-7/8"	13-1/2"	3/4"	117

**Compliances:**

Certified Made in the USA

UL 514 B, 467

NEMA Standard FB1

Rated NEMA Types 2, 3, 3R, 3, 4X, 5, 12, 13

NEC: Class I, Division 2

Class II, Divisions 1 and 2

Class III, Divisions 1 and 2

Federal Standard A-A-50553

UL Rated for Wet Locations

CSA Standard: C22.2 No. 18F

RoHS Compliant

REACH Compliant

CA Prop 65 Compliant

UNSPSC 39123033

