

Liquid Tight 90° Fitting

Size Range: 3/8" - 4"

Product Series: STR Seal Tight Fitting Reuseable

Material: Steel Construction SS Options

Zinc Plated with a Chromate Finish **

Made in the USA

Features:

Precision Machined Cut Threads NPT

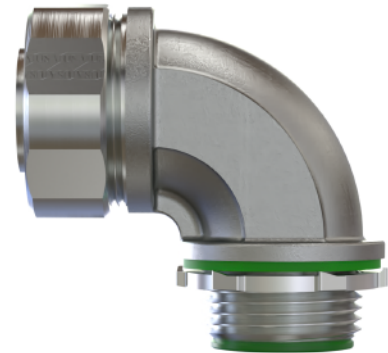
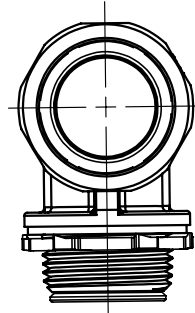
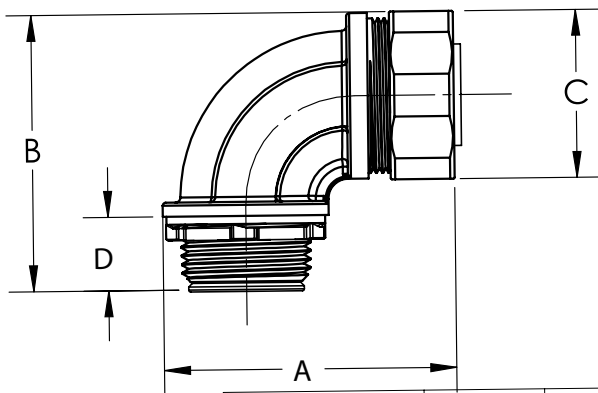
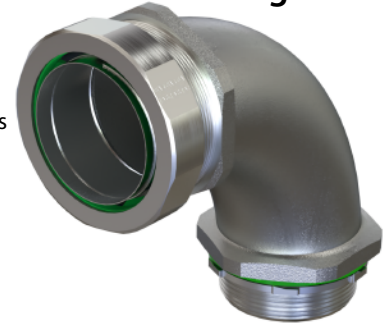
Furnished with Steel Locknut and Sealing Washer

Extra Long Ferrule Engages Conduit Provides Exceptional Retention & Bend Radius

UL Rated Concrete Tight Suitable for Direct Burial

Industrial SPEC-grade

Full FLAT HEX Surface with
EZ Torque Steel Compression Nuts
Torques Tight & Right



Shown with Optional Bushing

Cat #**	Trade Size	A Length	B Height	C Hex	D Thread Length	Wt. Per/c
STR3890	3/8"	2-1/8"	1-13/16"	1-1/8"	9/16"	22
STR5090	1/2"	2-1/4"	1-7/8"	1-3/16"	5/8"	23
STR7590	3/4"	2-1/2"	2-1/4"	1-7/16"	5/8"	34
STR10090	1"	3"	2-3/4"	1-3/4"	11/16"	62
STR12590	1-1/4"	3-5/16"	3-1/16"	2-3/16"	11/16"	84
STR15090	1-1/2"	3-3/4"	3-1/4"	2-3/8"	3/4"	113
STR20090	2"	4-15/16"	3-13/16"	2-7/8"	3/4"	175
STR25090	2-1/2"	9"	8-1/16"	3-7/16"	1-1/4"	640
STR30090	3"	10-1/2"	9-1/4"	4"	1-3/8"	863
STR35090	3-1/2"	11-1/2"	10-1/2"	4-9/16"	1-3/8"	1061
STR40090	4"	13-1/2"	12-1/8"	5-1/8"	1-1/2"	1340

** Add suffix "B" for insulated throat

Compliances:

UL 514 B, 467

NEMA Standard FB1

Rated NEMA Types 2, 3, 3R, 3, 4X, 5, 12, 13

NEC: Class I, Division 2

Class II, Divisions 1 and 2

Class III, Divisions 1 and 2

Federal Standard A-A-50553

UL Rated for Wet Locations Guaranteed to Seal Out Liquids,
Contaminants & Ingress of Other Fluids Suitable for Direct Burial

CSA Standard: C22.2 No. 18F

RoHS Compliant

REACH Compliant

CA Prop 65 Compliant

UNSPSC 39123033



Available Options:

** Material Option: For Stainless Steel Consult Factory for Sizes

** Insulated Throat Bushing 105° UL Rating

Factory Installed Bushing - Add Suffix "B" to Above Cat #

Configurations: Straight and 90°

Transition Fittings - Adapters to Convert

EMT to Liquid Tight, Right Conduit to Liquid Tight

Wire Mesh Strain Relief

Options of:

Grounding Lugs AL and CU

** Galvanized Plating Option Available

STR Series is NOT Rated nor Recommended for Type B Conduit
See our NMLT Series