

Liquid Tight 45° Fitting with/Lug

Size Range: 3/8" - 4"

Product Series: STRGL Seal Tight Fitting Reuseable with AL Ground Lug***

Material: Steel Construction

Zinc Plated with a Chromate Finish **

Made in the USA

Features:

Precision Machined Cut Threads NPT

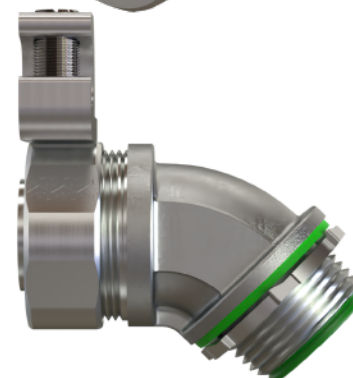
Furnished with Steel Locknut and Sealing Washer

Extra Long Ferrule Engages Conduit Provides Exceptional Retention & Bend Radius

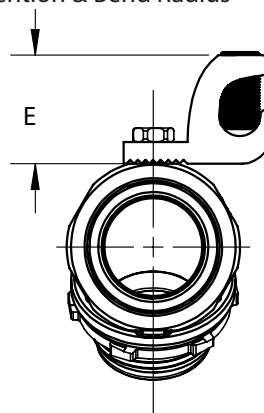
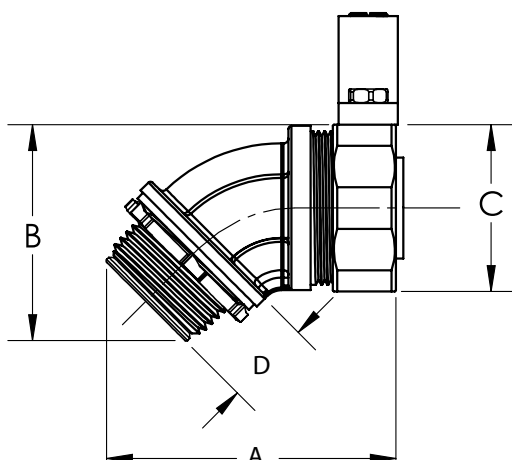
UL Rated Concrete Tight Suitable for Direct Burial

Full FLAT HEX Surface with
EZ Torque Steel Compression Nuts
Torques Tight & Right

Industrial SPEC-grade



Shown with Optional Bushing



Cat # **	Trade Size	A Length	B Height	C Hex	D Thread Length	E Lug Height	Wire Size		Wt. Per/C
							Min	Max	
STR3845GL	3/8"	2-1/4"	1-9/16"	1-1/8"	9/16"	3/4"	14	4	21
STR5045GL	1/2"	2-1/4"	1-11/16"	1-3/16"	5/8"	3/4"	14	4	23
STR7545GL	3/4"	2-1/2"	2"	1-7/16"	5/8"	3/4"	14	4	30
STR10045GL	1"	2-13/16"	2-1/4"	1-3/4"	11/16"	3/4"	14	4	53
STR12545GL	1-1/4"	3-1/8"	2-3/4"	2-3/16"	11/16"	3/4"	14	4	65
STR15045GL	1-1/2"	3-11/16"	2-15/16"	2-3/8"	3/4"	3/4"	14	4	97
STR20045GL	2"	4-1/8"	3-3/8"	2-7/8"	3/4"	3/4"	14	4	150
STR25045GL	2-12"	7-3/8"	5-3/8"	3-7/16"	1-1/4"	1-1/8"	8	1/0	488
STR30045GL	3"	8-7/16"	5-7/8"	4"	1-3/8"	1-1/8"	8	1/0	662
STR35045GL	3-1/2"	9-3/8"	6-9/16"	4-9/16"	1-3/8"	1-1/8"	6	250MCM	809
STR40045GL	4"	10-13/16"	7-5/16"	5-1/8"	1-1/2"	1-1/8"	6	250MCM	924

** Add suffix "B" for insulated throat

Compliances:

UL 514 B, 467

NEMA Standard FB1

Rated NEMA Types 2, 3, 3R, 3, 4X, 5, 12, 13

NEC: Class I, Division 2

Class II, Divisions 1 and 2

Class III, Divisions 1 and 2

Federal Standard A-A-50553

UL Rated for Wet Locations Guaranteed to Seal Out Liquids,

Contaminants & Ingress of Other Fluids Suitable for Direct Burial

CSA Standard: C22.2 No. 18F

RoHS Compliant

REACH Compliant

CA Prop 65 Compliant

UNSPSC 39123033



Available Options:

** Insulated Throat Bushing 105° UL Rating

Factory Installed Bushing - Add Suffix "B" to Above Cat #

Configurations Available and Options

*** Lugs Available: AL Standard

Option of Copper Add "CU" to Cat #

Straights and 90°

Transition Fittings - Adapters to Convert

EMT to Liquid Tight, Right Conduit to Liquid Tight

Options of

Wire Mesh Strain Relief

** Plating Option: Galvanized

STR Series is NOT Rated nor Recommended for Type B Conduit

See our NMLT Series