

Liquid Tight 45° Fitting

Size Range: 3/8" - 4"

Product Series: STR Seal Tight Fitting Reuseable

Material: Steel Construction

Zinc Plated with a Chromate Finish **

Made in the USA

Features:

Precision Machined Cut Threads NPT

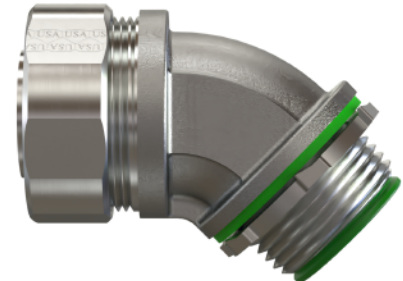
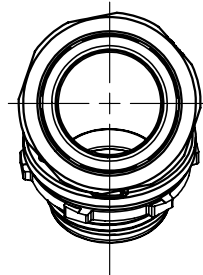
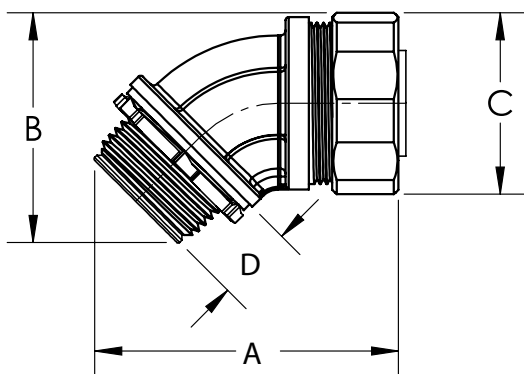
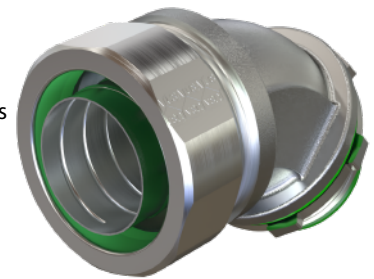
Furnished with Steel Locknut and Sealing Washer

Extra Long Ferrule Engages Conduit Provides Exceptional Retention & Bend Radius

UL Rated Concrete Tight Suitable for Direct Burial

Industrial SPEC-grade

Full FLAT HEX Surface with
EZ Torque Steel Compression Nuts
Torques Tight & Right



Shown with Optional Bushing

| Cat # ** | Trade Size | A Length | B Height | C Hex | D Thread Length | Wt. Per/c |
|----------|------------|-----------|----------|---------|-----------------|-----------|
| STR3845 | 3/8" | 2-1/4" | 1-9/16" | 1-1/8" | 9/16" | 19 |
| STR5045 | 1/2" | 2-1/4" | 1-11/16" | 1-3/16" | 5/8" | 21 |
| STR7545 | 3/4" | 2-1/2" | 2" | 1-7/16" | 5/8" | 29 |
| STR10045 | 1" | 2-13/16" | 2-1/4" | 1-3/4" | 11/16" | 50 |
| STR12545 | 1-1/4" | 3-1/8" | 2-3/4" | 2-3/16" | 11/16" | 64 |
| STR15045 | 1-1/2" | 3-11/16" | 2-15/16" | 2-3/8" | 3/4" | 94 |
| STR20045 | 2" | 4-1/8" | 3-3/8" | 2-7/8" | 3/4" | 146 |
| STR25045 | 2-1/2" | 7-3/8" | 5-3/8" | 3-7/16" | 1-1/4" | 458 |
| STR30045 | 3" | 8-7/16" | 5-7/8" | 4" | 1-3/8" | 632 |
| STR35045 | 3-1/2" | 9-3/8" | 6-9/16" | 4-9/16" | 1-3/8" | 779 |
| STR40045 | 4" | 10-13/16" | 7-5/16" | 5-1/8" | 1-1/2" | 894 |

** Add suffix "B" for insulated throat

Compliances:

UL 514 B, 467

NEMA Standard FB1

Rated NEMA Types 2, 3, 3R, 3, 4X, 5, 12, 13

NEC: Class I, Division 2

Class II, Divisions 1 and 2

Class III, Divisions 1 and 2

Federal Standard A-A-50553

UL Rated for Wet Locations Guaranteed to Seal Out Liquids, Contaminants & Ingress of Other Fluids Suitable for Direct Burial

CSA Standard: C22.2 No. 18F

RoHS Compliant

REACH Compliant

CA Prop 65 Compliant

UNSPSC 39123033



Available Options:

** Material Option: For Stainless Steel Consult Factory for Sizes

** Insulated Throat Bushing 105° UL Rating

Factory Installed Bushing - Add Suffix "B" to Above Cat #

Configurations: Straight and 90°

Transition Fittings - Adapters to Convert

EMT to Liquid Tight, Right Conduit to Liquid Tight

Wire Mesh Strain Relief

Options of:

Grounding Lugs AL and CU

** Galvanized Plating Option Available

STR Series is NOT Rated nor Recommended for Type B Conduit
See our NMLT Series