

EMT Bushings Knockout Insulated

Size Range: 1/2" - 2 1/2"
 Product Series: KOS Non Metallic Insulated Bushings
 UL Rated 105°C Flamability UL94V-2
 Material: Nylon Dupont Zytel
 Color: Black
 Finish: As Molded

Made in the USA

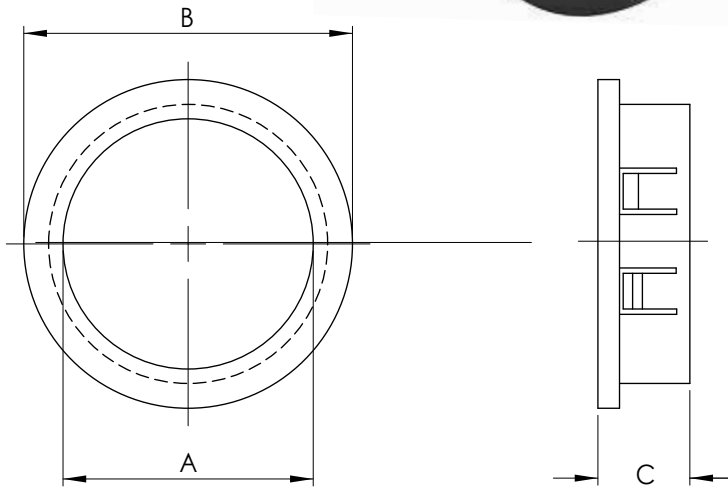


Industrial SPEC-grade

KOS Series Bushings Insulated Snap In

Converts Conduit and Box Rough Edge Holes to Smooth Neat Insulated Entries. Insulates and Mechanically Protects Wires and Cables. Snaps in Place with Tight Locking Fingers.

Labor Saving Snap-in Design Does Not Require Any Special Tools for Installation. Locks in Place in Knockout Openings so Wires can be Pulled Through the Openings Without Loosening the Bushings.



Cat. #	Trade Size	A ID ø	B OD ø	C	Standard Carton	Master Carton	WT/ 100
NKB50	1/2"	.750"	.953"	.406"	100	1000	1
NKB75	3/4"	.812"	1.218"	.406"	100	500	1
NKB100	1"	1.00"	1.468"	.463"	50	500	1
NKB125	1 1/4"	1.38"	1.875"	.463"	50	250	1
NKB150	1 1/2"	1.64"	2.125"	.463"	25	125	2
NKB200	2"	1.96"	2.660"	.700"	20	100	3
NKB250	2 1/2"	2.50"	3.200"	.700"	10	50	4

Compliances:
 Certified Made in the USA
 Meets UL 514B
 NEMA FB1
 Federal Standard A-A-50553
 RoHS Compliant
 REACH Compliant
 CA Prop 65 Compliant
 UNSPSC 39121312

Available OPTIONS:

- Plastic Threaded Insulated Bushings for Rigid Conduit
- Plastic Snap On Insulated Bushings for EMT