

FMC SPECflex Aluminum Connectors

Size Range: 3/8 - 4"

Product Series: FLX Connectors Specification Grade

Material: Aluminum Construction - *Machined from Solid AL Bar (CU Free)***

For Use on UL Listed
FMC/Greenfield Conduit *

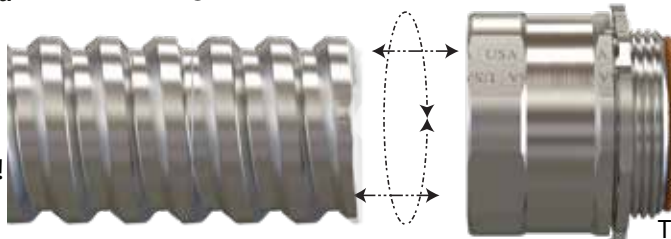
Made in the USA, Patented

Installs 10 Times Faster
Then ALL Squeeze Fittings

Irregular Cut Conduit!
NO PROBLEM, Screw It On!

REPLACES SQUEEZE / FLEX FITTINGS

To Install
Insert Flex Conduit & Simply Turn Fitting Onto Conduit
Fitting is Reuseable, To Remove, Reverse Process



Exceeds UL Pullout Requirements by 300%
Will Not Vibrate Loose

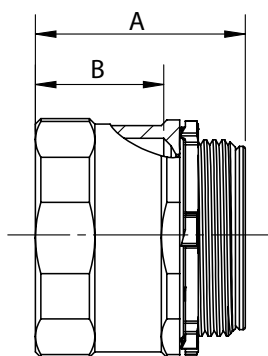
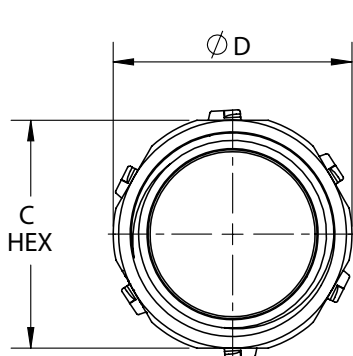
Industrial SPEC-grade



SPECflex™
Furnished with Locknut

Throat Bushing Furnished & Installed,
**Eliminates the Need for an
AntiShort Bushing**

Twice the Strength and Durability of ALL Die Cast & Malleable Iron Fittings



Fittings are Furnished with Insulated Throat Bushing
Eliminates Anti-Short Bushings or Red Heads



Solid Aluminum

Factory Installed Bushing

Locknut Furnished

The PERFECT Connector

Whips
Lighting Connections
Equipment Connections
Under Floor Installations
Data Centers
Elevators
Metro Stations
CCTV Camera

Cat #	Trade Size	A Length	B Depth	C Hex	D Diameter
FLX38AL	3/8"	1"	9/16"	15/16"	1"
FLX 50BAL	1/2"	1-3/16"	11/16"	1-1/16"	1-1/8"
FLX 75BAL	3/4"	1-3/16"	11/16"	1-1/4"	1-3/8"
FLX100BAL	1"	1-1/2"	15/16"	1-1/2"	1-5/8"
FLX125BAL	1-1/4"	1-5/8"	1-1/16"	1-13/16"	1-15/16"
FLX150BAL	1-1/2"	1-15/16"	1-3/16"	2-1/16"	2-3/16"
FLX200BAL	2"	1-15/16"	1-3/16"	2-9/16"	2-11/16"
FLX250BAL	2-1/2"	2-3/8"	1-1/4"	3-5/16"	3-7/16"
FLX300BAL	3"	2-7/16"	1-1/4"	3-15/16"	4"
FLX350BAL	3-1/2"	2-7/16"	1-5/16"	4-7/16"	4-9/16"
FLX400BAL	4"	2-7/16"	1-5/16"	4-15/16"	5-1/8"

MODERN DESIGN
Outfits Your Panels

Low Profile
Takes Up Far Less Room
on Your Panel or Box

No Screws or Clamps to
Intefere with Position

Squeeze Fittings
Resemble Fence Fittings
SPECflex Provides a
Finished Look & Feel

Compliances:

Certified Made in the USA
UL 514B
NEMA Standard FB1
Federal Standard A-A-50553
UL Standards: 514B, 467
CSA Standard: C22.2 No. 18F
RoHS Compliant
REACH Compliant
CA Prop 65 Compliant
UNSPSC 39121419



* SPECflex connectors are designed to work and interface with UL listed, Made in USA FMC / Greenfield conduit. We cannot guarantee fit, form, or function with non-UL or off-shore conduit. equest a sample to ensure compatibility

Features:

No Screws to Pinch or Pierce Conduit
Alloy Steel Construction* NOT a Thin Wall Die Cast Fitting
Maintains Full Integrity of Conduit ID & OD
Allows More Room Inside Conduit For Wire
You Can Count-On a Safe Burr-less Wire Pull

** Aluminum is Copper Free
Contains Trace Amounts of Zinc (less than .010%)