



FMC SPECflex 90° Connectors

Size Range: 1/2" - 4"

Product Series: FLX Connectors Specification Grade

Material: Steel Construction with Zinc Plated with a Chromate Finish

Twice the Strength and Durability of ALL Die Cast & Malleable Iron Fittings

For Use on UL Listed
FMC/Greenfield Conduit *

Made in the USA, Patented

Installs 10 Times Faster
Than ALL Squeeze Fittings

Irregular Cut Conduit!
NO PROBLEM, Screw It On!

Fully Reuseable

To Install
Insert Flex Conduit & Simply Turn Fitting Onto Conduit
Fitting is Reuseable, To Remove, Reverse Process



Exceeds UL Pullout Requirements by 300%
Will Not Vibrate Loose

NO NEED TO TAKE FITTING APART TO INSTALL

Industrial SPEC-grade

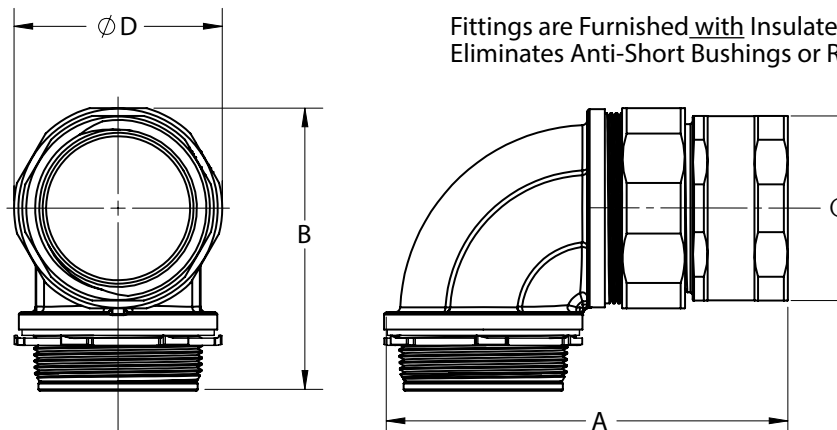


SPECflex™

Locknut Furnished
Throat Bushing Furnished

Fittings are Furnished with Insulated Throat Bushing
Eliminates Anti-Short Bushings or Red Heads

Solid Alloy Steel Body



Cat #	Trade Size	A LENGTH	B HEIGHT	C Hex	D DIAMETER
FLX5090B	1/2"	3"	1-13/16"	1-1/16"	1"
FLX7590B	3/4"	3-1/4"	2-5/16"	1-1/4"	1-1/8"
FLX10090B	1"	3-7/8"	2-3/4"	1-1/2"	1-3/8"
FLX12590B	1-1/4"	4-5/16"	2-15/16"	1-13/16"	1-5/8"
FLX15090B	1-1/2"	5-1/16"	3-3/16"	2-1/16"	1-15/16"
FLX20090B	2"	5-5/8"	3-3/4"	2-9/16"	2-3/16"
FLX25090B	2-1/2"	9-3/4"	8-13/16"	3-5/16"	2-11/16"
FLX30090B	3"	10-7/8"	9-1/16"	3-15/16"	3-7/16"
FLX35090B	3-1/2"	12-1/4"	10-9/16"	4-7/16"	4"
FLX40090B	4"	13-5/8"	12-3/16"	4-15/16"	4-9/16"

Compliances:

- Certified Made in the USA
- UL 514B
- NEMA Standard FB1
- Federal Standard A-A-50553
- UL Standards: 514B, 467
- CSA Standard: C22.2 No. 18F
- RoHS Compliant
- REACH Compliant
- CA Prop 65 Compliant
- UNSPSC 39121419



* SPECflex connectors are designed to work and interface with UL listed, Made in USA FMC / Greenfield conduit. We cannot guarantee fit, form, or function with non-UL or off-shore conduit. request a sample to ensure compatibility

Features:

- No Screws to Pinch or Pierce Conduit
- Alloy Steel Construction* NOT a Thin Wall Die Cast Fitting
- Maintains Full Integrity of Conduit ID & OD
- Allows More Room Inside Conduit For Wire
- You Can Count-On a Safe Burr-less Wire Pull

FULL Connector System Available for Transitions / Adapters FMC Conduit to EMT, Rigid, LT, & Flexible Cord and 45° Connectors

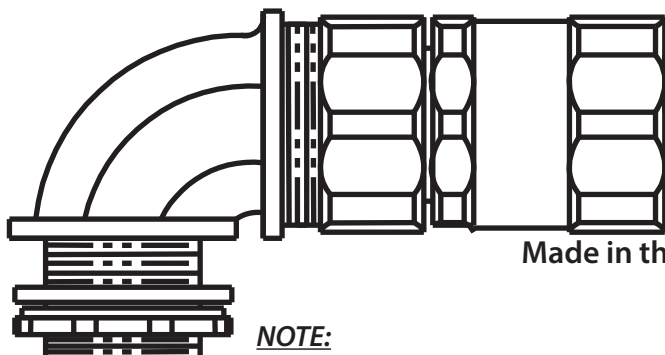
FMC SPECflex 90° Connectors Installation Instructions

SPECflex connectors™

Please use these instructions for 90 and 45 Adapters.

Rev.4 10.2019

SPEC-flex™ Connector with 90° Elbow



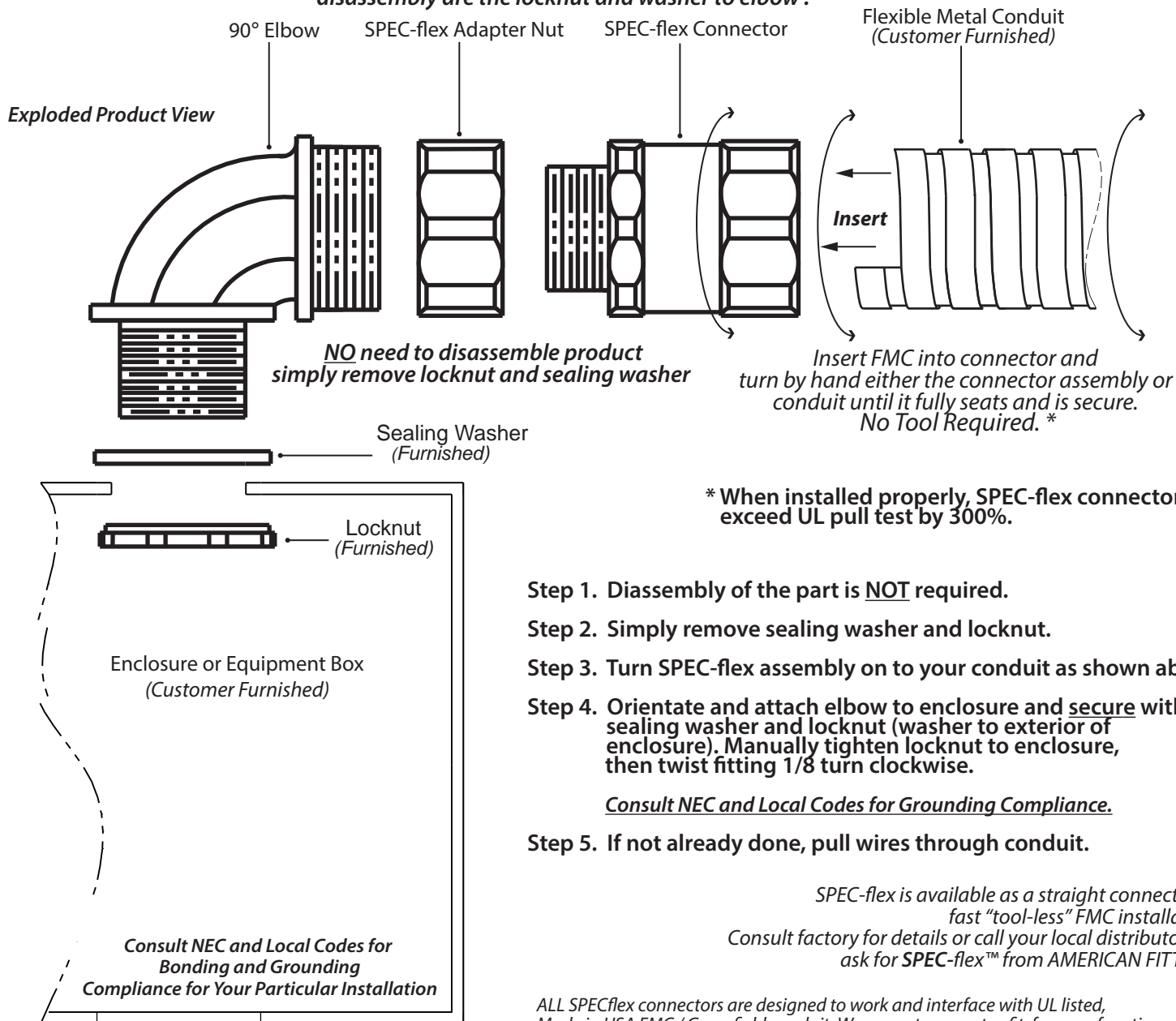
Made in the USA

NOTE:
For most installations the only components that require disassembly are the locknut and washer to elbow.

Cat Numbers**

- FLX5090B
- FLX7590B
- FLX10090B
- FLX12590B
- FLX 15090B
- FLX20090B
- FLX25090B
- FLX30090B
- FLX35090B
- FLX40090B

** 45° Adapters -
Replace 90 in Cat # with 45



- Step 1. Disassembly of the part is **NOT** required.
 - Step 2. Simply remove sealing washer and locknut.
 - Step 3. Turn SPEC-flex assembly on to your conduit as shown above.
 - Step 4. Orientate and attach elbow to enclosure and **secure** with sealing washer and locknut (washer to exterior of enclosure). Manually tighten locknut to enclosure, then twist fitting 1/8 turn clockwise.
- Consult NEC and Local Codes for Grounding Compliance.
- Step 5. If not already done, pull wires through conduit.

SPEC-flex is available as a straight connector for fast "tool-less" FMC installations. Consult factory for details or call your local distributor and ask for SPEC-flex™ from AMERICAN FITTINGS.

ALL SPECflex connectors are designed to work and interface with UL listed, Made in USA FMC / Greenfield conduit. We cannot guarantee fit, form, or function with non-UL or off-shore conduit. equest a sample to ensure compatibility