

PVC Jacketed AC / TECK Connector

Industrial SPEC-grade

Size Range: 1/2 - 1 1/4"

Product Series: SPECTECK Connectors

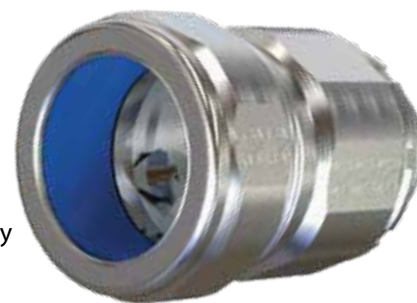
Material: Alloy Steel Construction Zinc Plated with a Chromate Finish*

Made in the USA

Use with Jacketed Teck and ACWU Cable, Armored Control and Instrument Cable, Jacketed Interlocking Aluminum and Steel Armored Cable and Jacketed Corrugated Aluminum and Steel Armored Cable

SPECTECK PVC Jacketed AC Cable fittings may be used for branch circuit and feeder wiring for lighting, control, and signal circuits in wet, dirty, or oily locations, buried directly in earth or concrete, surface mounted or trenched.

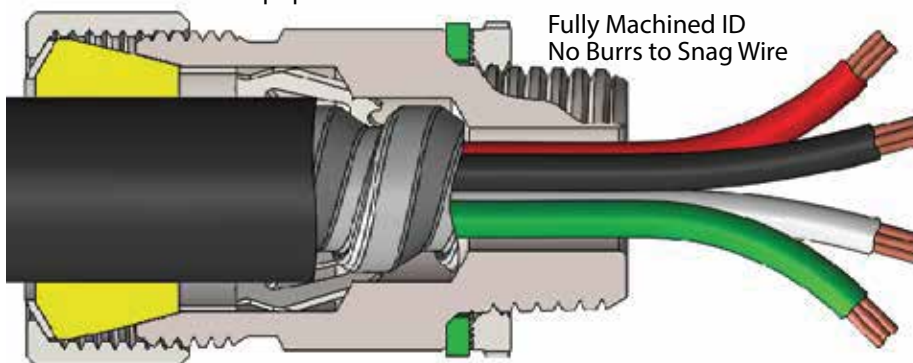
SPECTECK fittings are the next generation of AC MC connectors. They are designed to accommodate a broad range of cables. Each trade sized hub range overlaps the adjacent hub range, thereby minimizing the possibility of mismatched cables and fittings in the field.



SPECTECK

Most times there is no need to disassemble fitting to install. The grommet factory installed is based on the most popular cable size.

Furnished with Color Coded Sized Grommets to Precisely Fit Your Cord



The STRONGEST & MOST Durable AC MC Connector Made, Twice the Strength and Durability of ALL Die Cast & Malleable Iron Fittings

Alloy Steel Fully Machined Compression Nut Domed Top to Shed Liquids
Seals Tight & Right



Compliances:

- Certified Made in the USA
- UL 514B
- NEMA Standard FB1
- Rated NEMA Types 2, 3, 3R, 3, 4X, 5, 12, 13
- NEC: Class I, Division 2
- Class II, Divisions 1 and 2; Class III, Divisions 1 and 2
- Federal Standard A-A-50553
- UL Rated for Wet Locations Guaranteed to Seal Out Liquids, Contaminants & Ingress of Other Fluids
- Suitable for Direct Burial
- CSA Standard: C22.2 No. 18,3-12
- RoHS Compliant
- REACH Compliant
- CA Prop 65 Compliant
- UNSPSC 39121419



Features:

- * Galvanized Plating Option is Available, Consult Factory
- Grommet Material is Santoprene UL TPV 94VO Rating FDA Approved; UV Resistant UL (f1) Rated
- Solid Alloy Steel Construction Fully Precision Machined Provides Full Torque Values to Avoid Conduit Pullout and Maintains Full Grounding
- Solid Steel Double Grip Tight Retaining Saddle Safeguards the Conduit Jacket from Abrasion and Reduces the Torque Required for a Secure Connection
- Water Tight and Liquid Tight Suitable for Direct Burial Applications Suitable for Steel or Aluminum Cables

PVC Jacketed AC / TECK Connector

Since 1946

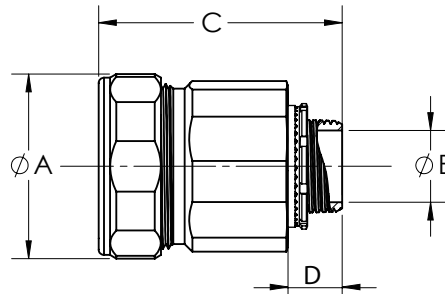
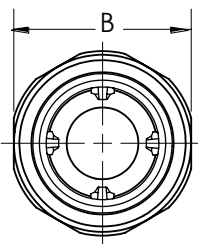
Industrial SPEC-grade

Size Range: 1/2 - 1 1/4"

Product Series: SPECTECK Connectors

Greater Cable Ranges with Less Catalog Numbers

Always the Size You Need When You Need It.



Each Catalog Number is furnished with the color sized grommets as shown for that cable range.

Cat #	Trade Size	Strip Outer Jacket (2)	Cable Range Over Jacket	Cable Range Over Armor	Grommet Colors Included-Kit	Ø A	B (Hex)	C*	D	Ø E
TECK50 <i>Kit Example Shown Below</i>	1/2"	3/8"-1/2"	.485-.585	.405-.505	Yellow	1-3/16"	1-1/8"	2"	5/8"	.440
			.560-.610	.480-.530	Grey					
			.610-.720	.500-.610	Black					
TECK50L	1/2"	13/16"-7/8"	.670-.750	.620-.700	Orange	1-7/16"	1-1/4"	2-1/4"	5/8"	.610
			.750-.825	.700-.735	Grey					
TECK50XL	1/2"	13/16"-7/8"	.825-.875	.745-.795	Grey	1-5/8"	1-9/16"	2-1/2"	5/8"	.610
			.875-1.000	.795-.920	Red					
TECK75	3/4"	13/16"-7/8"	.875-1.000	.795-.920	Red	1-5/8"	1-9/16"	2-1/2"	5/8"	.735
			1.000-1.065	.920-.985	Blue					
TECK75L	3/4"	7/8"-1"	1.065-1.125	.970-1.070	Blue	2-1/16"	2"	2-13/16"	5/8"	.790
			1.125-1.250	1.070-1.160	Brown					
TECK100	1"	7/8"-1"	1.065-1.125	.970-1.070	Blue	2-1/16"	2"	2-13/16"	5/8"	.950
			1.125-1.250	1.070-1.160	Brown					
TECK100L	1"	7/8"-1"	1.250-1.375	1.170-1.250	White	2-1/16"	2"	2-7/8"	11/16"	.970
TECK125	1-1/4"	7/8"-1"	1.380-1.500	1.250-1.375	Blue	2-3/8"	2-5/16"	3-1/2"	11/16"	1.210
			1.500-1.630	1.375-1.505	Green					
TECK125L	1-1/4"	1" - 1-7/16"	1.630-1.750	1.505-1.625	Brown	2-7/8"	2-13/16"	4-5/16"	11/16"	1.350
			1.750-1.880	1.625-1.755	Purple					

Shown: TECK 50 - example - each fitting is individually bagged and comes with full set of instructions and color coded grommet chart.

No need to disassemble the fitting, simply loosen the locknut and insert cable **AFTER** performing Steps 1-3

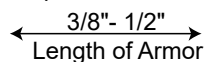
If you need to select a different grommet, simply loosen and slide the nut on the cable - Remove Gray grommet and insert the correct grommet size according to the sizing chart shown below and your cable's OD size.

IMPORTANT FOR PROPER GROUNDING:

Slide the cable all the way into the fitting **until it snaps** into the grounding retention ring.

2. BEFORE Installing Fitting

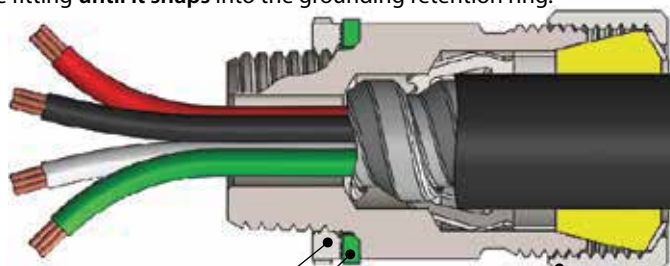
Strip Outer PVC Jacket



3. BEFORE Installing Fitting

Cut Armor Back to the Length

Of Conductor Wires You Require



Furnished Locknut
Furnished Sealing Washer
Compression Nut

1. BEFORE Installing Fitting

Choose Correct Grommet for the Size Cable You are Using See Chart Below

TECK50 Grommet Size Range Chart

Range Over Jacket Grommet OD Min - Max Color to Use

.610 - .720	Black
.520 - .610	Grey (i)
.485 - .535	Yellow

(i) Factory Installed

Each fitting is individually bagged with assorted grommets and a color range chart for the additional grommets for that trade size.