

EMT Set Screw Ground Bushing w/Lug

Size Range: 1/2" - 4"

Product Series: GBNT GL No Threads (NT) Grounding Bushings
Furnished with Factory Installed Lay In Grounding Lug*

Material: Solid Alloy Steel Construction

Zinc Plated with Chromate Finish

Made in the USA

Solid Steel Construction with Factory Installed Insulator
Precision Cut Machined Threads
Flat Hex Surface for Full Torque Values
Insulator Throat Bushing Prevents Damage to Wire

Twice the Strength and Durability of Die Cast & Malleable Iron

Industrial SPEC-grade

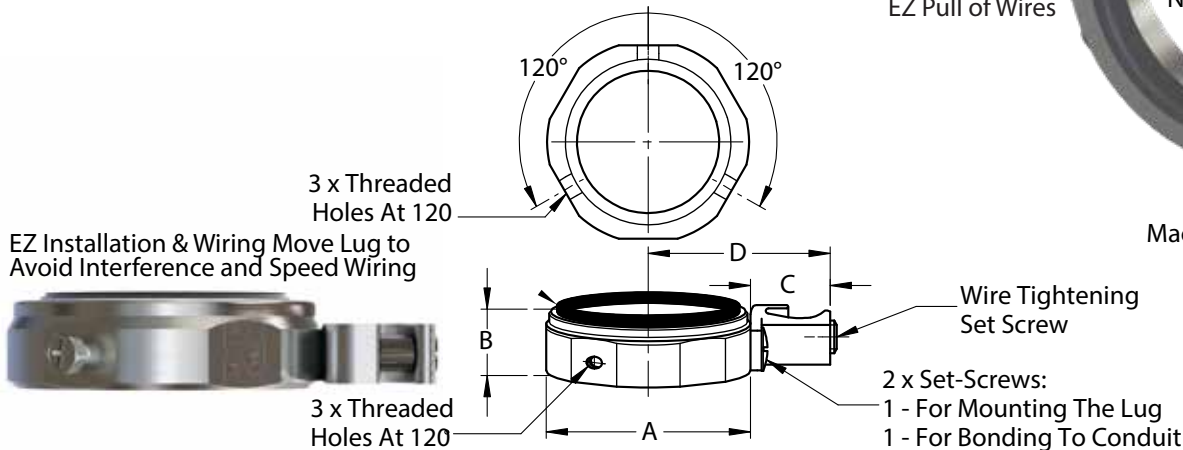
For Use On EMT, and NT Rigid/imc Conduit to
Provide a Means of Grounding Conduit Through an
Insulated Bushing.

Suitable for EMT, RGS and IMC Conduit

3 Thr'd Machined
Holes to Accomodate
Lug Orientation
Fully Machined ID for
EZ Pull of Wires



Steel Set Screws in
Machined Threaded Holes
Vibration Resistant



Cat #	Trade Size	ØA	B	C	D	Wire Range		Wt. Per/C
						Min Solid	Max Strand	
GB50BNTGL	1/2"	1-1/16"	5/8"	3/4"	1-5/16"	#14	#4	7
GB75BNTGL	3/4"	1-1/4"	5/8"	3/4"	1-3/8"	#14	#4	7
GB75BNTGL-0	3/4"	1-1/4"	5/8"	1-1/8"	1-11/16"	#8	#1/0	15
GB100BNTGL	1"	1-1/2"	3/4"	3/4"	1-1/2"	#14	#4	9
GB100BNTGL-0	1"	1-1/2"	3/4"	1-1/8"	1-7/8"	#8	#1/0	17
GB125BNTGL	1-1/4"	1-7/8"	3/4"	3/4"	1-11/16"	#14	#4	15
GB125BNTGL-0	1-1/4"	1-7/8"	3/4"	1-1/8"	2-1/16"	#8	#1/0	22
GB150BNTGL	1-1/2"	2-1/16"	3/4"	3/4"	1-13/16"	#14	#4	16
GB150BNTGL-0	1-1/2"	2-1/16"	3/4"	1-1/8"	2-1/8"	#8	#1/0	24
GB200BNTGL	2"	2-11/16"	3/4"	3/4"	2-1/6"	#14	#4	20
GB200BNTGL-0	2"	2-11/16"	3/4"	1-1/8"	2-3/8"	#8	#1/0	28
GB250BNTGL	2-1/2"	3-7/16"	1-1/16"	1-3/16"	2-13/16"	#14	#1/0	63
GB250BNTGL-250	2-1/2"	3-7/16"	1-1/16"	1-11/16"	3-3/8"	#6	250 MCM	78
GB300BNTGL	3"	4"	1-1/16"	1-3/16"	3-1/8"	#14	#1/0	75
GB300BNTGL-250	3"	4"	1-1/16"	1-11/16"	3-11/16"	#6	250 MCM	90
GB350BNTGL	3-1/2"	4-1/2"	1-1/16"	1-3/16"	3-3/8"	#14	#1/0	92
GB350BNTGL-250	3-1/2"	4-1/2"	1-1/16"	1-11/16"	3-15/16"	#6	250 MCM	105
GB400BNTGL	4"	5-1/8"	1-1/16"	1-3/16"	3-15/16"	#14	#1/0	96
GB400BNTGL-250	4"	5-1/8"	1-1/16"	1-11/16"	4-3/16"	#6	250 MCM	113

Compliances:

Certified Made in the USA
UL 514B, 467
Insulated Throat Bushing is UL Listed & 150° Rated
NEMA Standard FB1
Federal Standard A-A-50553
CSA Standard: C22.2 No. 18F
RoHS Compliant
REACH Compliant
CA Prop 65 Compliant
UNSPSC 39121312



Available OPTIONS:

Aluminum Construction for Aluminum Conduit -
Add Suffix AL to Cat #

* Grounding Lug Options Copper Lug Add Suffix CU to Cat #'s
Consult Factory for Tin Plated Aluminum Lugs
If No Ground Lug is Required, Refer to Cat # RCB

** Galvanized Plating - Option
For this Option, Add Suffix "G" to Above Cat Number