

EMT Set Screw Steel Bushings

Size Range: 1/2" - 4"

Product Series: RCBNT Grounding Bonding Bushings No Threads

Furnished without Ground Lug*

Material: Solid Alloy Steel Construction

Zinc Plated with Chromate Finish **

Made in the USA

Furnished with Factory Installed Insulated Throat Bushing
UL Listed 150 deg. C

Industrial SPEC-grade

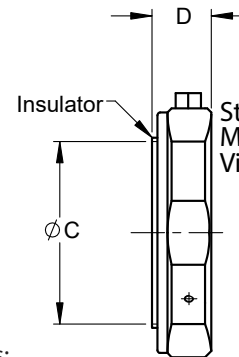
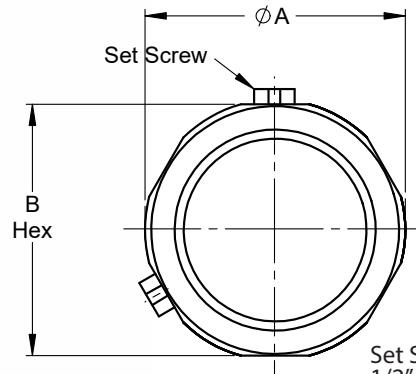
For Use On EMT, and NT Rigid/imc Conduit to Provide a Means of Grounding Threaded Conduit Through an Insulated Bushing.

Suitable for EMT, RGS and IMC Conduit

Fully Machined ID for EZ Pull of Wire and Provides Protection for Wires



Twice the Strength and Durability of Die Cast & Malleable Iron



Set Screws:
1/2" - 2" furnished with 1 set screw
2 1/2" - 4" furnished with 2 set screws

Cat #	Trade Size	ØA	B (Hex)	ØC	D	Wt. Per/C
RCB 50BNT	1/2"	1-1/8	1-1/16	9/16	11/16	5
RCB 75BNT	3/4"	1-1/4	1-3/16	3/4	11/16	5
RCB100BNT	1"	1-1/2	1-7/16	1	13/16	7
RCB125BNT	1-1/4"	1-7/8	1-13/16	1-1/4	7/8	12
RCB150BNT	1-1/2"	2-3/16	2-1/16	1-1/2	7/8	14
RCB200BNT	2"	2-11/16	2-9/16	1-15/16	7/8	18
RCB250BNT	2-1/2"	3-7/16	3-1/4	2-1/4	1-1/16	58
RCB300BNT	3"	4	3-15/16	2-7/8	1-1/16	70
RCB350BNT	3-1/2"	4-9/16	4-7/16	3-1/4	1-1/16	85
RCB400BNT	4"	5-1/8	4-15/16	3-3/4	1-1/16	93

Compliances:

Certified Made in the USA
UL 514B, 467
Insulated Throat Bushing is UL Listed & 150° Rated
NEMA Standard FB1
Federal Standard A-A-50553
CSA Standard: C22.2 No. 18F
RoHS Compliant
REACH Compliant
CA Prop 65 Compliant
UNSPSC 39121312



Available OPTIONS

Aluminum Construction for Aluminum Conduit -
Add Suffix AL to Cat #

* If Ground Lug is Required, REFER to Cat # GB Series\

GB Series Available Threaded (Rigid) and NT (EMT and Rigid)

**Galvanized Plating - Option

For this Option, Add Suffix "G" to Above Cat Number