

## EMT Plastic Insulated Bushings

**Size Range:** 1/2" - 4"

**Product Series:** EIB Industrial Plastic Insulated Threaded Bushings

**Use with EMT Tubing Push On Tubing End with Molded Stop**

**Non-Grounding**

**Material:** Polypropylene Impact Resistant

**Color:** Gunmetal Gray

**Temperature Rated at 105°C**

*Made in the USA*

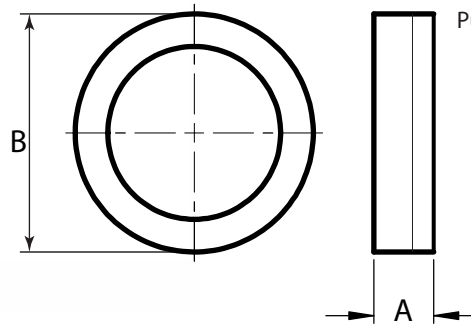
### Industrial SPEC-grade

EIB Series Plastic Push On EMT Bushing

AMFICO EMT plastic insulating bushings offer maximum protection for cables to avoid damaging abrasion due to sharp EMT edges. Snap onto EMT tubing and they firmly hold and remain in place.

Ideal for use in all environments where conductor integrity is of prime importance, such as tele-communication, data centers & security system installations.

Bushings provide smooth, rounded surfaces at the ends of raceways and easily affixes to conduit. Will not pull off during large size wire pulls.



Cat. #	Trade Size	Unit Ctn	Std. Pkg	WT/100	A	B
EIB50	1/2"	100	1000	1	.558	.537
EIB75	3/4"	100	500	1	.743	.525
EIB100	1"	50	250	1	.945	.635
EIB125	1-1/4"	40	200	1	1.240	.625
EIB150	1-1/2"	40	200	2	1.440	.625
EIB200	2"	-	50	2	1.870	.625
EIB250	2-1/2"	-	25	4	2.240	1.230
EIB300	3"	-	25	6	2.750	1.230
EIB350	3-1/2"	-	20	7	3.340	1.110
EIB400	4"	-	15	11	3.770	1.230

**Compliances:**

Certified Made in the USA

UL Listed 514B

NEMA Standard FB

Meets 2008 NEC Requirements for

300-15(c) Protection

Federal Standard A-A-50553

CSA Standard: C22.2 No. 18F

RoHS Compliant

REACH Compliant

CA Prop 65 Compliant

UNSPSC 31131700



For Rigid Threaded Plastic Bushings See Product Group Series PIB