

# Cord Grips for Service Entrance UF

Size Range: 1/2 - 3/4"

Type UF Underground Feeder Cable Connector

Product Series: CGUF Connectors Specification Grade

Material: Alloy Steel Construction with Zinc Plated with a Chromate Finish

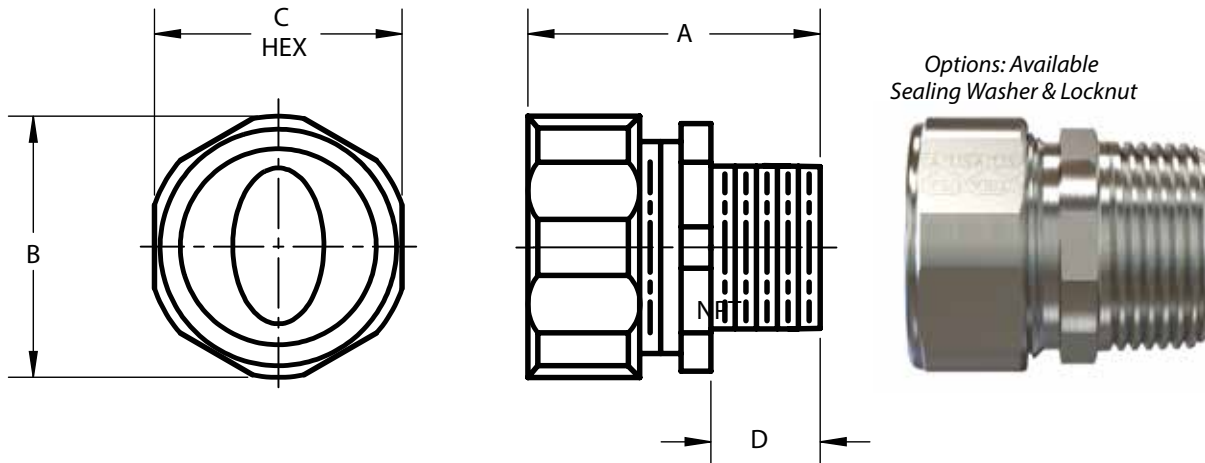
Industrial SPEC-grade

Made in the USA

Full FLAT HEX Surface with EZ Torque Steel Compression Nut & Steel Compression Ring Torques Tight & Right



Low Profile Design to Accomodate Newer and Smaller UF Cables and Traditional UF Sized



For Securing and Sealing Service Entrance and UF, SE, SEU Cables Entering an Enclosure or Conduit Hub

| Cat #  | Trade Hub Size" | A Lgth" | B Dia" | C Hex" | D Thread Lgth" | Type UF Cable Range              |
|--------|-----------------|---------|--------|--------|----------------|----------------------------------|
| UF50   | 1/2             | 1 5/16  | 1 3/32 | 1 1/32 | 1/2            | 14-2, 12-2 W and WO Ground       |
| UF5075 | 3/4             | 1 5/16  | 1 3/32 | 1 1/32 | 17/32          | 14-2, 12-2 W and WO Ground       |
| UF75   | 3/4             | 1 3/8   | 1 3/32 | 2 1/32 | 17/32          | 14-3, 12-3, 10-3 W and WO Ground |

**Compliances:**

Certified Made in the USA  
 UL 514B  
 NEMA Standard FB1 Rated NEMA 4x Liquid Tight NPT Threads  
 Federal Standard A-A-50553  
 CSA Standard: C22.2 No. 18F

RoHS and REACH Compliant  
 CA Prop 65 Compliant

UNSPC 39121431



**Features:**

Precision Machined Cut NPT Threads  
 NPT Tapered Hub for Liquid Tight Connection with NPT Female  
 Neoprene Grommet Provides Liquid Tight Entry and Protects Oil and Other Contaminants  
 Solid Steel Retainer Ring Safe Guards Cable Compresses Grommet for Non-Abrasive Wear on Cable  
 Twice the Strength & Corrosion Resistance Over Die-Cast Fittings