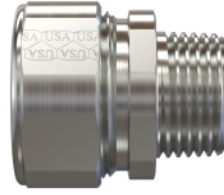


Cord Grip Connectors

Size Range: 3/8" - 3"

Product Series: CG Series Cord Grip Cable Glands

Materials: Alloy Steel Zinc Plated with Chromate Finish
Stainless Steel and Aluminum Material Option*



Industrial SPEC-grade

Dimensional Information and Catalog Numbers on Pages 2 & 3

Applications:

SPEC-grade Cord Grip connectors are the ideal choice for environment and applications where product integrity is your prime concern. AMFICO cord connectors ARE suitable and are currently used in many industries; including; petroleum, food processing, chemical, wastewater treatment, HVAC, aerospace, electric power, automobile, paper mills, pumps. Our cord grips are the ideal choice for all your cable requirements. For use with non-armored flexible cord.

CG Connectors are fully manufactured in our factory in Fair Lawn, NJ. Precision machined from solid bar stock, there is not a stronger or more versatile seal tight-fitting made. Strong NPT threads ensured you are environmentally protected and protect against cord slide. Grommets are also manufactured by us in Fair Lawn, NJ, color-coded by cable range for identification.

Grommet material is Santoprene, Flame retardant: UV resistant and stabilized against copper and other metal-catalyzed degradation. Santoprene is UL 94 V-0 rated and UL 94 5VA rated. Detergent-resistant - Santoprene has excellent form and property retention in the presence of typical washdown detergents. Santoprene is FDA APPROVED and LATEX FREE

Also Available

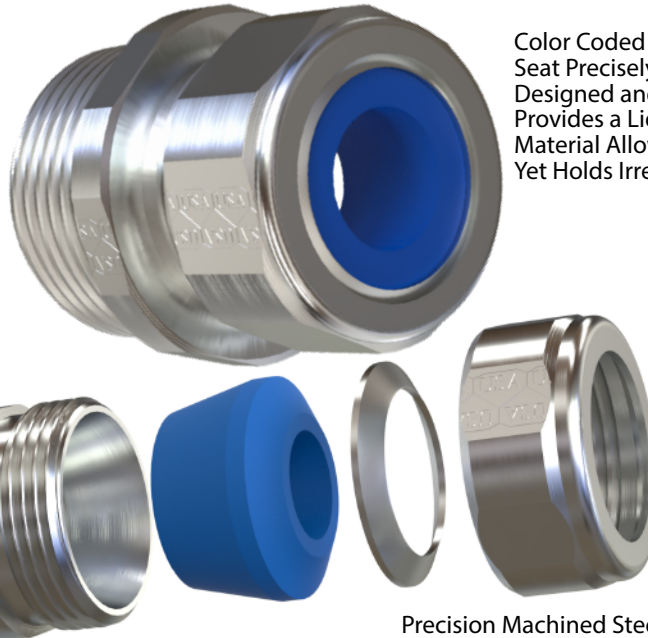
CG Kits

1 Package Fits All Cable Ranges for EACH Trade Size

True Cut Threads NPT Threads
Precision Machined from Solid Stainless Steel Bar Stock

UL Listed
Locknut & Sealing Washer
Purchased Separately

NPT Threads



Color Coded Sealing Grommet Santoprene*
Seat Precisely in Connector Body, are Designed and Color Coded for SPECIFIC Cable Ranges. Provides a Liquid Tight Connection. Material Allows Cable to be Pulled Easily, Yet Holds Irregular Cable Securely

EZ-Torque Hex Design Nut
Solid Alloy Steel Precision Machined Compression Nut, Grips Tight & Right
Vibration Resistant
Chamfered Dome Sheds Moisture

Solid Corrosion Resistant Alloy Steel Body ***
Precision Machine Cut Threads - Never Flatten, Never Cross
Consistent Centerline to Compression Nut
Guarantees Environmentally Sealing All Cords Correctly

Precision Machined Steel Compression Ring -
Prevents Distortion of the Sealing Grommet
Exclusive Engineered Design Slips on Quickly & Grips the Jacket of the Cable, & Uniformly Compresses Sealing Grommet. Assures a Perfect Moisture Seal, While Fully Preventing Pullout Under Extreme Conditions

Operating Temperature Range (normal use): -20°C to +105°C (-4°F to +221°F)

Compliances:

- Certified Made in the USA
- UL 514B
- NEMA Standard FB1 Rated Liquid Tight NPT Threads
- Federal Standard A-A-50553
- UL Rated Suitable for Hazardous Locations
- NEC: Class I, Division 2
- Class II, Divisions 1 and 2
- Class III, Divisions 1 and 2
- NEC 501-4(b), 505-4(a), 503-3(a)
- CSA Standard: C22.2 No. 18F
- RoHS and REACH Compliant
- CA Prop 65 Compliant
- UNSPC 39121719



Options:

- Size Range by Material Offering:
- * Alloy Steel 3/8" - 3"
- * Aluminum - Copper-Free 1/2" - 1" Add Suffix AL to Cat #
- * Stainless Steel Type 316 1/2" - 1" Add Suffix SST Cat#

CG Kits 1/2"-1" Stl, SS and Aluminum One Kit Fits Entire Range

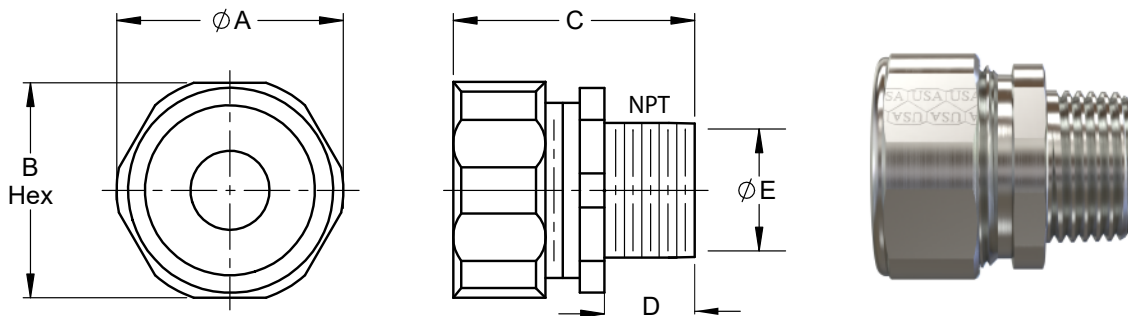
All CG Series Configurations Available:
Straights, 90°, 45°, Wire Mesh Strain Relief Grip
Connectors with Multiple Hole Cable Entry
TYPE SE Service Entrance Flat Cable Connectors
Non-Metallic Cord Grip Connectors

Locknuts Nuts & Sealing Washers Available Sold Separately

Cord Grip Connectors

Dimensions Table 1 Trade Sizes 1/2" to 1"

Industrial SPEC-grade



CG KIT Cat #	Cat # Single Part	Trade Size	Cable Ranges Min	Cable Ranges Max	Grommet Color	A Length	B Hex	C Diameter	D Thread Length	Wt. Per/C
CG50K 1/2" .150-.650	CG1238AM	3/8"	.125	.187	Red	1-1/4"	7/8"	15/16"	7/16"	8
	CG1838AM	3/8"	.187	.312	Brown	1-1/4"	7/8"	15/16"	7/16"	8
	CG3138AM	3/8"	.312	.437	Yellow	1-1/4"	7/8"	15/16"	7/16"	8
	CG1250AM	1/2"	.125	.187	Red	1-5/16"	1-1/16"	1-1/8"	1/2"	12
	CG1 (1)	1/2"	.150	.250	Red	1-5/16"	1-1/16"	1-1/8"	1/2"	12
	CG50A250	1/2"	.150	.250	Red	1-5/16"	1-1/16"	1-1/8"	1/2"	10
	CG1850AM	1/2"	.187	.312	Brown	1-5/16"	1-1/16"	1-1/8"	1/2"	12
	CG2 (1)	1/2"	.250	.350	White	1-5/16"	1-1/16"	1-1/8"	1/2"	12
	CG50A350	1/2"	.250	.350	White	1-5/16"	1-1/16"	1-1/8"	1/2"	10
	CG3150AM	1/2"	.312	.437	Yellow	1-5/16"	1-1/16"	1-1/8"	1/2"	12
	CG3150AM	1/2"	.312	.437	Yellow	1-1/4"	7/8"	15/16"	7/16"	8
	CG3 (1)	1/2"	.350	.450	Blue	1-5/16"	1-1/16"	1-1/8"	1/2"	12
CG50A450	1/2"	.350	.450	Blue	1-5/16"	1-1/16"	1-1/8"	1/2"	10	
CG3750AM	1/2"	.375	.500	Purple	1-5/16"	1-1/16"	1-1/8"	1/2"	12	
CG4 (1)	1/2"	.450	.560	Green	1-5/16"	1-1/16"	1-1/8"	1/2"	12	
CG50A560	1/2"	.450	.560	Green	1-5/16"	1-1/16"	1-1/8"	1/2"	10	
CG5050AM	1/2"	.500	.625	Pink	1-5/16"	1-1/16"	1-1/8"	1/2"	12	
CG5 (1)	1/2"	.560	.650	Brown	1-5/16"	1-1/16"	1-1/8"	1/2"	12	
CG50A650	1/2"	.560	.650	Brown	1-5/16"	1-1/16"	1-1/8"	1/2"	10	
CG6250AM	1/2"	.625	.750	Orange	1-9/16"	1-1/4"	1-7/16"	1/2"	16	
CG1275AM	3/4"	.125	.250	Blue	1-5/8"	1-1/4"	1-7/16"	9/16"	18	
CG6 (1)	3/4"	.150	.250	Red	1-5/16"	1-3/16"	1-1/4"	1/2"	18	
CG75A250	3/4"	.150	.250	Red	1-3/8"	1-3/16"	1-1/4"	9/16"	16	
CG7 (1)	3/4"	.250	.350	White	1-5/16"	1-3/16"	1-1/4"	1/2"	18	
CG75A350	3/4"	.250	.350	White	1-3/8"	1-3/16"	1-1/4"	9/16"	16	
CG2575AM	3/4"	.250	.375	Green	1-5/8"	1-1/4"	1-7/16"	9/16"	18	
CG8 (1)	3/4"	.350	.450	Blue	1-5/16"	1-3/16"	1-1/4"	1/2"	18	
CG75A450	3/4"	.350	.450	Blue	1-3/8"	1-3/16"	1-1/4"	9/16"	16	
CG3775AM	3/4"	.375	.500	Purple	1-5/8"	1-1/4"	1-7/16"	9/16"	18	
CG9 (1)	3/4"	.450	.560	Green	1-5/16"	1-3/16"	1-1/4"	1/2"	18	
CG75A560	3/4"	.450	.560	Green	1-3/8"	1-3/16"	1-1/4"	9/16"	16	
CG5550AM	3/4"	.500	.625	Pink	1-5/8"	1-1/4"	1-7/16"	9/16"	18	
CG10 (1)	3/4"	.560	.650	Brown	1-5/16"	1-3/16"	1-1/4"	1/2"	18	
CG75A650	3/4"	.560	.650	Brown	1-3/8"	1-3/16"	1-1/4"	9/16"	16	
CG6275AM	3/4"	.625	.750	Orange	1-5/8"	1-1/4"	1-7/16"	9/16"	18	
CG11 (1)	3/4"	.650	.750	Yellow	1-9/16"	1-1/4"	1-7/16"	9/16"	20	
CG75B750	3/4"	.650	.750	Yellow	1-5/8"	1-5/16"	1-3/8"	9/16"	18	
CG12 (1)	3/4"	.750	.850	Purple	1-9/16"	1-1/4"	1-7/16"	9/16"	20	
CG75B850	3/4"	.750	.850	Purple	1-5/8"	1-5/16"	1-3/8"	9/16"	18	
CG7575AM	3/4"	.750	.875	Grey	1-5/8"	1-1/4"	1-7/16"	9/16"	18	
CG37100AM	1"	.375	.500	Purple	1-3/4"	1-7/16"	1-1/2"	11/16"	26	
CG13 (1)	1"	.450	.560	Green	1-3/4"	1-7/16"	1-1/2"	11/16"	30	
CG100B560 ***	1"	.450	.560	Green	1-3/4"	1-7/16"	1-1/2"	11/16"	26	
CG50100AM	1"	.500	.625	Pink	1-3/4"	1-7/16"	1-1/2"	11/16"	26	
CG14 (1)	1"	.560	.650	Brown	1-3/4"	1-7/16"	1-1/2"	11/16"	30	
CG100B650 ***	1"	.560	.650	Brown	1-3/4"	1-7/16"	1-1/2"	11/16"	26	
CG62100AM	1"	.625	.750	Orange	1-3/4"	1-7/16"	1-1/2"	11/16"	26	
CG15 (1)	1"	.650	.750	Yellow	1-3/4"	1-7/16"	1-1/2"	11/16"	30	
CG100B750 ***	1"	.650	.750	Yellow	1-3/4"	1-7/16"	1-1/2"	11/16"	26	
CG16 (1)	1"	.750	.850	Purple	1-3/4"	1-7/16"	1-1/2"	11/16"	30	
CG100B850***	1"	.750	.850	Purple	1-3/4"	1-7/16"	1-1/2"	11/16"	26	
CG75100AM	1"	.750	.875	Grey	1-13/16"	1-1/2"	1-11/16"	5/8"	28	
CG17 (1)	1"	.850	.950	Grey	1-13/16"	1-1/2"	1-11/16"	11/16"	30	
CG100C950***	1"	.850	.950	Grey	1-3/4"	1-9/16"	1-5/8"	11/16"	28	
CG87100AM	1"	.875	1.000	Red	1-13/16"	1-1/2"	1-11/16"	5/8"	28	
CG18 (1)	1"	.950	1.050	Black	1-13/16"	1-1/2"	1-11/16"	11/16"	30	
CG100C1050***	1"	.950	1.050	Black	1-3/4"	1-9/16"	1-5/8"	11/16"	28	
CG100100AM	1"	1.000	1.125	Blue	1-13/16"	1-1/2"	1-11/16"	5/8"	28	

Other Trade Sizes Continued on Next Page

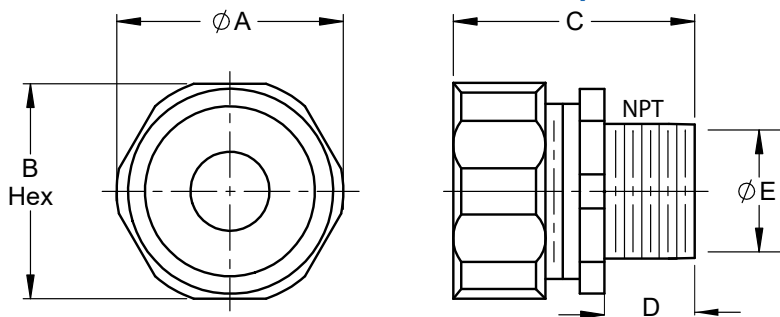
(1) Only these Cat #'s are furnished with a locknut & sealing washer. All other items locknut & washer are sold separately.

Page 2

Cord Grip Connectors

Dimensions Table 2 Trade Sizes 1-1/4" to 3"

Industrial SPEC-grade



Cat # Single Parts	Trade Size	Cable Ranges		Grommet Color	A Length	B Hex	C Diameter	D Thread Length	Wt. Per/C
		Min	Max						
CG125C850	1-1/4"	.750	.850	Purple	1-7/8"	1-13/16"	1-7/8"	11/16"	44
CG19 (1)	1-1/4"	.750	.850	Purple	1-7/8"	1-13/16"	1-7/8"	11/16"	48
CG75125AM	1-1/4"	.750	.875	Grey	1-7/8"	1-7/8"	1-7/8"	11/16"	42
CG125C950	1-1/4"	.850	.950	Grey	1-7/8"	1-13/16"	1-7/8"	11/16"	44
CG20 (1)	1-1/4"	.850	.950	Grey	1-7/8"	1-13/16"	1-7/8"	11/16"	48
CG87125AM	1-1/4"	.875	1.000	Red	1-9/16"	1-5/8"	1-7/8"	11/16"	42
CG125D1050	1-1/4"	.950	1.050	Black	1-15/16"	2"	2-1/16"	11/16"	40
CG21 (1)	1-1/4"	.950	1.050	Black	1-7/8"	1-7/8"	2-1/8"	11/16"	46
CG100125AM	1-1/4"	1.000	1.125	Blue	1-7/8"	1-7/8"	1-7/8"	11/16"	40
CG125D1150	1-1/4"	1.050	1.150	Orange	1-15/16"	2"	2-1/16"	11/16"	40
CG22 (1)	1-1/4"	1.050	1.150	Orange	1-7/8"	1-7/8"	2-1/8"	11/16"	46
CG112125AM	1-1/4"	1.125	1.250	Brown	1-7/8"	1-7/8"	2-1/8"	11/16"	40
CG125D1250	1-1/4"	1.150	1.250	Red	1-15/16"	2"	2-1/16"	11/16"	40
CG23 (1)	1-1/4"	1.150	1.250	Red	1-7/8"	1-7/8"	2-1/8"	11/16"	46
CG125D1375	1-1/4"	1.250	1.375	White	1-15/16"	2"	2-1/16"	11/16"	40
CG24 (1)	1-1/4"	1.250	1.375	White	1-7/8"	1-7/8"	2-1/8"	11/16"	46
CG125125AM	1-1/4"	1.250	1.375	Green	1-7/8"	1-7/8"	2-1/8"	11/16"	40
CG137125AM	1-1/4"	1.375	1.500	Yellow	1-7/8"	1-7/8"	2-1/8"	11/16"	40
CG150D1050	1-1/2"	.950	1.050	Black	1-15/16"	2-3/16"	2-5/16"	3/4"	66
CG25 (1)	1-1/2"	.950	1.050	Black	1-15/16"	2-3/16"	2-5/16"	11/16"	70
CG150D1150	1-1/2"	1.050	1.150	Orange	1-15/16"	2-3/16"	2-5/16"	3/4"	66
CG26 (1)	1-1/2"	1.050	1.150	Orange	1-15/16"	2-3/16"	2-5/16"	11/16"	70
CG150D1250	1-1/2"	1.150	1.250	Red	1-15/16"	2-3/16"	2-5/16"	3/4"	66
CG27 (1)	1-1/2"	1.150	1.250	Red	1-15/16"	2-3/16"	2-5/16"	11/16"	70
CG115150AM	1-1/2"	1.156	1.312	Purple	1-15/16"	2-3/16"	2-3/8"	11/16"	60
CG150D1375	1-1/2"	1.250	1.375	White	1-15/16"	2-3/16"	2-5/16"	3/4"	66
CG28 (1)	1-1/2"	1.250	1.375	White	1-15/16"	2-3/16"	2-5/16"	11/16"	70
CG128150AM	1-1/2"	1.281	1.531	Pink	1-7/8"	2-3/16"	2-3/8"	11/16"	60
CG150E1500	1-1/2"	1.380	1.500	Blue	2-1/8"	2-5/16"	2-3/8"	3/4"	60
CG29 (1)	1-1/2"	1.380	1.500	Blue	2-1/8"	2-5/16"	2-3/8"	3/4"	66
CG150E1630	1-1/2"	1.500	1.630	Green	2-1/8"	2-5/16"	2-3/8"	3/4"	60
CG30	1-1/2"	1.500	1.630	Green	2-1/8"	2-5/16"	2-3/8"	3/4"	66
CG150E1750	1-1/2"	1.630	1.750	Brown	2-1/8"	2-5/16"	2-3/8"	3/4"	60
CG31 (1)	1-1/2"	1.630	1.750	Brown	2-1/8"	2-5/16"	2-3/8"	3/4"	66
CG150E1880	1-1/2"	1.750	1.880	Purple	2-1/8"	2-5/16"	2-3/8"	3/4"	60
CG32 (1)	1-1/2"	1.750	1.880	Purple	2-1/8"	2-5/16"	2-3/8"	3/4"	66
CG200F1380	2"	1.250	1.380	Red	2-5/16"	2-13/16"	2-7/8"	3/4"	104
CG33 (1)	2"	1.250	1.380	Red	2-5/16"	2-13/16"	2-7/8"	3/4"	112
CG200F1500	2"	1.380	1.500	Blue	2-5/16"	2-13/16"	2-7/8"	3/4"	104
CG34 (1)	2"	1.380	1.500	Blue	2-5/16"	2-13/16"	2-7/8"	3/4"	112
CG200F1630	2"	1.500	1.630	Green	2-5/16"	2-13/16"	2-7/8"	3/4"	104
CG35 (1)	2"	1.500	1.630	Green	2-5/16"	2-13/16"	2-7/8"	3/4"	112
CG153200AM	2"	1.531	1.780	Orange	2-5/16"	2-13/16"	2-7/8"	3/4"	102
CG200F1750	2"	1.630	1.750	Brown	2-5/16"	2-13/16"	2-7/8"	3/4"	104
CG36 (1)	2"	1.630	1.750	Brown	2-5/16"	2-13/16"	2-7/8"	3/4"	112
CG200F1810	2"	1.690	1.810	Yellow	2-5/16"	2-13/16"	2-7/8"	3/4"	104
CG37 (1)	2"	1.690	1.810	Yellow	2-5/16"	2-13/16"	2-7/8"	3/4"	106
CG200F1880	2"	1.750	1.880	Purple	2-5/16"	2-13/16"	2-7/8"	3/4"	104
CG38 (1)	2"	1.750	1.880	Purple	2-5/16"	2-13/16"	2-7/8"	3/4"	106
CG200F1940	2"	1.810	1.940	White	2-5/16"	2-13/16"	2-7/8"	3/4"	104
CG39 (1)	2"	1.810	1.940	White	2-5/16"	2-13/16"	2-7/8"	3/4"	106
CG200F2060	2"	1.940	2.060	Orange	2-5/16"	2-13/16"	2-7/8"	3/4"	104
CG40 (1)	2"	1.940	2.060	Orange	2-5/16"	2-13/16"	2-7/8"	3/4"	106
CG250G1965	2-1/2"	1.750	1.965	White	3"	3-1/4"	3-3/8"	1-1/8"	155
CG250G2187	2-1/2"	1.970	2.185	Orange	3"	3-1/4"	3-3/8"	1-1/8"	155
CG250G2360	2-1/2"	2.150	2.365	Brown	3"	3-1/4"	3-3/8"	1-1/8"	155
CG250G2565	2-1/2"	2.350	2.565	Green	3"	3-1/4"	3-3/8"	1-1/8"	155
CG300H2365	3"	2.150	2.365	Brown	3-5/16"	3-15/16"	4"	1-1/8"	214
CG300H2565	3"	2.350	2.565	Green	3-5/16"	3-15/16"	4"	1-1/8"	214
CG300H2755	3"	2.540	2.755	Blue	3-5/16"	3-15/16"	4"	1-1/8"	214
CG300H2985	3"	2.760	2.985	Grey	3-5/16"	3-15/16"	4"	1-1/8"	214
CG300H3220	3"	2.995	3.220	Yellow	3-5/16"	3-15/16"	4"	1-1/8"	214

(1) Only these Cat #'s are furnished with a locknut & sealing washer. All other items locknut & washer are sold separately.