

# Cord Grips 90° Connectors

Size Range: 1/2 - 1"

Product Series: CG Connectors Specification Grade

Material: Steel Construction with

Stainless Steel Material Option\*

Grommet: Santoprene, UL 94 V-0 FDA Approved

Zinc Plated with a Chromate Finish

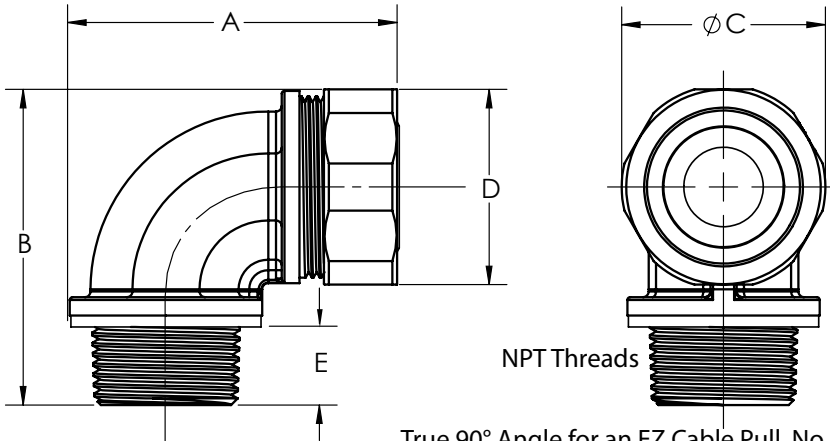
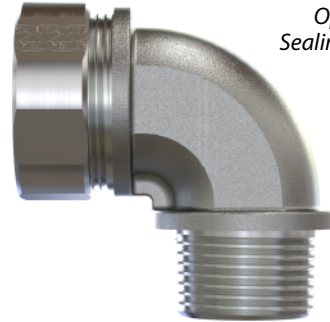
Made in the USA

Industrial SPEC-grade

Full FLAT HEX Surface with  
EZ Torque Steel Compression Nut &  
Steel Compression Ring  
Torques Tight & Right on Cord



Options: Available  
Sealing Washer & Locknut



True 90° Angle for an EZ Cable Pull. No sharp binding edges or burrs to snag your cable.

Cat #	Trade Size	Cable Ranges		A Length	B Height	C Diameter	D Hex	E Thread Length	Wt. Per/C
		Min	Max						
CG50A25090	1/2"	.150	.250	2-1/4"	1-13/16"	1-3/16"	1-1/8"	5/8"	24
CG50A35090	1/2"	.250	.350	2-1/4"	1-13/16"	1-3/16"	1-1/8"	5/8"	24
CG50A45090	1/2"	.350	.450	2-1/4"	1-13/16"	1-3/16"	1-1/8"	5/8"	24
CG50A56090	1/2"	.450	.560	2-1/4"	1-13/16"	1-3/16"	1-1/8"	5/8"	24
CG50A65090	1/2"	.560	.650	2-1/4"	1-13/16"	1-3/16"	1-1/8"	5/8"	24
CG75A25090	3/4"	.150	.250	2-1/2"	2-3/8"	1-7/16"	1-3/8"	5/8"	42
CG75A35090	3/4"	.250	.350	2-1/2"	2-3/8"	1-7/16"	1-3/8"	5/8"	42
CG75A45090	3/4"	.350	.450	2-1/2"	2-3/8"	1-7/16"	1-3/8"	5/8"	42
CG75A56090	3/4"	.450	.560	2-1/2"	2-3/8"	1-7/16"	1-3/8"	5/8"	42
CG75A65090	3/4"	.560	.650	2-1/2"	2-3/8"	1-7/16"	1-3/8"	5/8"	42
CG75B75090	3/4"	.650	.750	2-1/2"	2-1/4"	1-7/16"	1-3/8"	5/8"	36
CG75B85090	3/4"	.750	.850	2-1/2"	2-1/4"	1-7/16"	1-3/8"	5/8"	36
CG100B56090	1"	.450	.560	3"	2-3/4"	1-3/4"	1-11/16"	11/16"	72
CG100B65090	1"	.560	.650	3"	2-3/4"	1-3/4"	1-11/16"	11/16"	72
CG100B75090	1"	.650	.750	3"	2-3/4"	1-3/4"	1-11/16"	11/16"	72
CG100B85090	1"	.750	.850	3"	2-3/4"	1-3/4"	1-11/16"	11/16"	72
CG100C95090	1"	.850	.950	3-1/16"	2-3/4"	1-3/4"	1-11/16"	11/16"	68
CG100C105090	1"	.950	1.050	3-1/16"	2-3/4"	1-3/4"	1-11/16"	11/16"	68

**Compliances:**

- Certified Made in the USA
- UL 514B
- NEMA Standard FB1 Rated Liquid Tight NPT Threads
- Federal Standard A-A-50553
- UL Rated Suitable for Hazardous Locations
- NEC: Class I, Division 2
- Class II, Divisions 1 and 2
- Class III, Divisions 1 and 2
- NEC 501-4(b), 505-4(a), 503-3(a)
- CSA Standard: C22.2 No. 18F
- RoHS and REACH Compliant
- CA Prop 65 Compliant
- UNSPC 39121719



**Features:**

- Precision Machined Cut Threads NPT
- Solid Grommet and Compression Ring Engages Cable Provides Exceptional Retention & Bend Radius
- Color Coded Grommet for Identification of Cord Range
- Available Options:**
  - \* Material Option: For **T316 Stainless Steel** Add SST to Cat #
  - \*\* Insulated Throat Bushing 105° UL Rating
  - Factory Installed Bushing - Add Suffix "B" to Above Cat #
- Above Configuration with Wire Mesh Strain Relief
- Locknuts and Sealing Washer