

Cord Grips 45° Connectors

Size Range: 1/2 - 1"

Product Series: CG Connectors Specification Grade

Material: Steel Construction with Zinc Plated with a Chromate Finish

Grommet: Santoprene, UL 94 V-0 FDA Approved

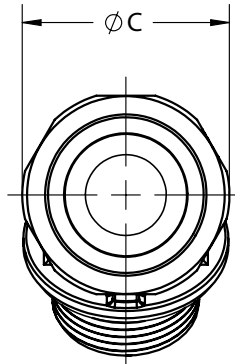
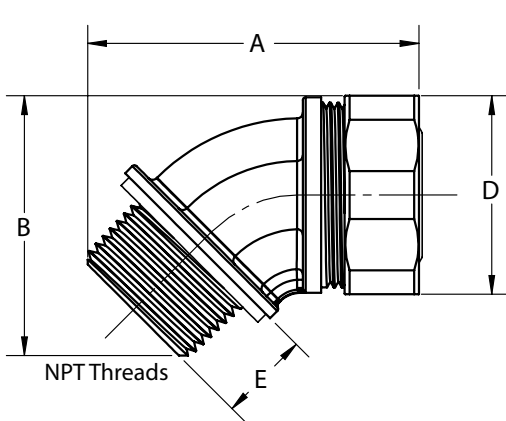
Made in the USA

Full FLAT HEX Surface with EZ Torque Steel Compression Nut & Steel Compression Ring
Torques Tight & Right on Cord

Industrial SPEC-grade



Options: Available Sealing Washer & Locknut



True 45° Angle for an EZ Cable Pull. No sharp binding edges or burrs to snag your cable.

Cat #	Trade Size	Cable Ranges		A Length	B Height	C Diameter	D Hex	E Thread Length	Wt. Per/C
		Min	Max						
CG50A25045	1/2"	.150	.250	2-5/16"	1-15/16"	1-3/16"	1-1/8"	5/8"	22
CG50A35045	1/2"	.250	.350	2-5/16"	1-15/16"	1-3/16"	1-1/8"	5/8"	22
CG50A45045	1/2"	.350	.450	2-5/16"	1-15/16"	1-3/16"	1-1/8"	5/8"	22
CG50A56045	1/2"	.450	.560	2-5/16"	1-15/16"	1-3/16"	1-1/8"	5/8"	22
CG50A65045	1/2"	.560	.650	2-5/16"	1-15/16"	1-3/16"	1-1/8"	5/8"	22
CG75A25045	3/4"	.150	.250	2-9/16"	1-7/8"	1-7/16"	1-3/8"	5/8"	36
CG75A35045	3/4"	.250	.350	2-9/16"	1-7/8"	1-7/16"	1-3/8"	5/8"	36
CG75A45045	3/4"	.350	.450	2-9/16"	1-7/8"	1-7/16"	1-3/8"	5/8"	36
CG75A56045	3/4"	.450	.560	2-9/16"	1-7/8"	1-7/16"	1-3/8"	5/8"	36
CG75A65045	3/4"	.560	.650	2-9/16"	1-7/8"	1-7/16"	1-3/8"	5/8"	36
CG75B75045	3/4"	.650	.750	2-9/16"	1-7/8"	1-7/16"	1-3/8"	5/8"	30
CG75B85045	3/4"	.750	.850	2-9/16"	1-7/8"	1-7/16"	1-3/8"	5/8"	30
CG100B56045	1"	.450	.560	3"	2-3/16"	1-3/4"	1-11/16"	5/8"	60
CG100B65045	1"	.560	.650	3"	2-3/16"	1-3/4"	1-11/16"	5/8"	60
CG100B75045	1"	.650	.750	3"	2-3/16"	1-3/4"	1-11/16"	5/8"	60
CG100B85045	1"	.750	.850	3"	2-3/16"	1-3/4"	1-11/16"	5/8"	60
CG100C95045	1"	.850	.950	3"	2-3/16"	1-3/4"	1-11/16"	5/8"	64
CG100C105045	1"	.950	1.050	3"	2-3/16"	1-3/4"	1-11/16"	5/8"	64

Compliances:

Certified Made in the USA
 UL 514B
 NEMA Standard FB1 Rated Liquid Tight NPT Threads
 Federal Standard A-A-50553
 UL Rated Suitable for Hazardous Locations
 NEC: Class I, Division 2
 Class II, Divisions 1 and 2
 Class III, Divisions 1 and 2
 NEC 501-4(b), 505-4(a), 503-3(a)
 CSA Standard: C22.2 No. 18F
 RoHS and REACH Compliant
 CA Prop 65 Compliant
 UNSPC 39121719



Features:

Precision Machined Cut Threads NPT
 Solid Lock Grommet and Compression Ring Provide Exceptional Retention & Bend Radius

Available Options:

- Factory Installed Grounding Lug
- Wire Mesh Strain Relief
- Locknuts and Sealing Washer