

# Adapter Steel Rigid Conduit to LT

**Size Range:** 1/2" - 4"

**Product Series:** STRFR - Rigid Threaded to Liquid Tight Conduit

**Material:** Solid Alloy Steel Construction

**Zinc Plated with Chromate Finish \*\***

*Made in the USA*

Precision Machined from Solid Alloy Bar Stock  
Machined Cut Threads  
Full Compression EZ Torque Nuts

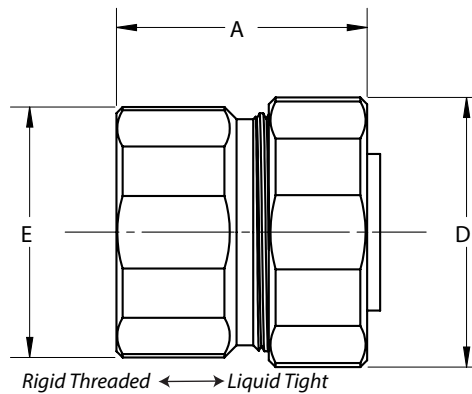
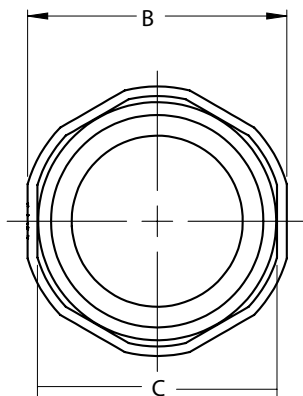
**STRFR Series is Rain Tight**

Long Ferrule on LT End Provides Continual Ground  
and Stability Against Pull Out

**Industrial SPEC-grade**  
Converts Flexible LT conduit to Rigid Steel  
Conduit Outdoor and Indoor Use with  
flexible metallic LT conduit or  
Type A flexible non-metallic LT conduit.



Split Conduit Coupling Rigid Thaded to Liquid Tight  
TWICE the Strength and Durability of Die Cast & Malleable Iron Products



Cat #	Trade Size	A Length	B Hex	C Hex	D Diameter	E Diameter	Wt. Per/C
STR38FR	3/8"	1-1/4"	1-1/16"	1-1/8"	1-1/8"	1"	11
STR50FR	1/2"	1-1/4"	1-1/8"	1-3/16"	1-3/16"	1-1/8"	13
STR75FR	3/4"	1-3/8"	1-3/8"	1-7/16"	1-7/16"	1-3/8"	18
STR100FR	1"	1-1/2"	1-11/16"	1-3/4"	1-3/4"	1-5/8"	31
STR125FR	1-1/4"	1-13/16"	2-1/16"	2-3/16"	2-3/16"	2-1/16"	51
STR150FR	1-1/2"	2"	2-5/16"	2-3/8"	2-3/8"	2-5/16"	64
STR200FR	2"	2-1/16"	2-3/4"	2-7/8"	2-3/4"	2-11/16"	83
STR250FR	2-1/2"	2-7/8"	3-1/4"	3-7/16"	3-7/16"	3-7/16"	153
STR300FR	3"	2-7/8"	3-15/16"	4"	4"	4"	175
STR350FR	3-1/2"	2-7/8"	4-7/16"	4-9/16"	4-9/16"	4-9/16"	222
STR400FR	4"	2-7/8"	4-15/16"	5-1/8"	5-1/8"	5-1/8"	247

**Compliances:**

Certified Made in the USA  
UL 514B, 467  
Concrete Tight and Rain Tight  
Suitable for Direct Burial  
NEMA Standard FB1  
Federal Standard A-A-50553  
CSA Standard: C22.2 No. 18F  
RoHS Compliant  
REACH Compliant  
CA Prop 65 Compliant  
UNSPSC 39131707



**Available OPTIONS:**

\*\* Galvanized Plating - Option  
For this Option, Add Suffix "G" to Above Cat Number

**Also Offered As:**

LT to EMT - Compression  
LT to FMC - FLX