

## Adapter Rigid Steel SS to FMC (flex)

Size Range: 1/2" - 4"

Product Series: FLXSNT Rigid Conduit Set Screw\* to Greenfield (FMC)

Material: Solid Alloy Steel Construction

Zinc Plated with Chromate Finish

Made in the USA

Industrial SPEC-grade



**SPEC flex**  
Connector System



Twists onto FMC without the use of a tool.

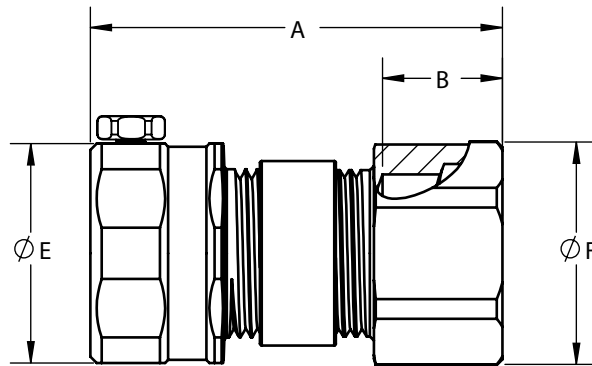
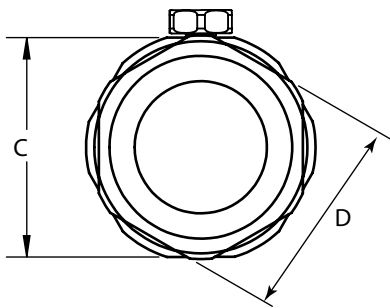
Exceeds UL Pullout Requirements by 300%  
Unlike Diecast Product Cannot Crack or Deform

Rigid Side:  
1/2" to 2" Furnished with 1 Screw  
2-1/2" to 4" Furnished with 2 Screws

Converts Rigid Conduit to FMC flex Conduit Set Screw Configuration

Precision Machined from Solid Alloy Bar Stock

One Piece Construction  
No Need to Take Adapter Apart to Install



Cat #	TRADE SIZE	A LENGTH	B DEPTH	C HEX	D HEX	E DIAMETER	F DIAMETER
FLXSNT50	1/2"	2-5/8"	11/16"	1-1/8"	1-1/16"	1-3/16"	1-1/8"
FLXSNT75	3/4"	2-11/16"	11/16"	1-3/8"	1-1/4"	1-7/16"	1-3/8"
FLXSNT100	1"	3"	15/16"	1-5/8"	1-1/2"	1-11/16"	1-5/8"
FLXSNT125	1-1/4"	3-11/16"	1-1/16"	2-1/16"	1-13/16"	2-3/16"	1-15/16"
FLXSNT150	1-1/2"	4-1/8"	1-3/16"	2-5/16"	2-1/16"	2-3/8"	2-3/16"
FLXSNT200	2"	4-15/16"	1-3/16"	2-13/16"	2-9/16"	2-7/8"	2-11/16"
FLXERS250	2-1/2"	5"	1-1/4"	3-1/4"	3-5/16"	3-7/16"	3-7/16"
FLXERS300	3"	5-1/8"	1-1/4"	3-15/16"	3-15/16"	4"	4"
FLXERS350	3-1/2"	5-1/8"	1-5/16"	4-7/16"	4-7/16"	4-9/16"	4-9/16"
FLXERS400	4"	5-1/8"	1-5/16"	4-15/16"	4-15/16"	5-1/8"	5-1/8"

**Compliances:**

- Certified Made in the USA
- UL 514B
- NEMA Standard FB1
- Federal Standard A-A-50553
- UL Standards: 514B, 467
- CSA Standard: C22.2 No. 18F
- RoHS Compliant
- REACH Compliant
- CA Prop 65 Compliant
- UNSPSC 39131707



**Available OPTIONS:**

- \* Rigid Set Screw Fitting to Flex
- Rigid Conduit Adapters to Flex
- Liquid Tight Conduit Adapters to Flex

SPECflex Single Turn On Flex Connector

**Note:**

SPECflex connectors are designed to work and interface with UL listed, Made in USA FMC / Greenfield conduit. We cannot guarantee fit, form, or function with non-UL off-shore conduit.

Request a sample from factory to ensure compatibility.