

Adapter Steel Rigid Conduit to EMT

Size Range: 1/2" - 4"

Product Series: ETR - EMT Compression to Rigid Threaded Conduit

Material: Solid Alloy Steel Construction

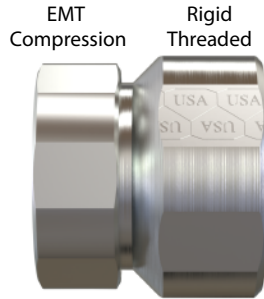
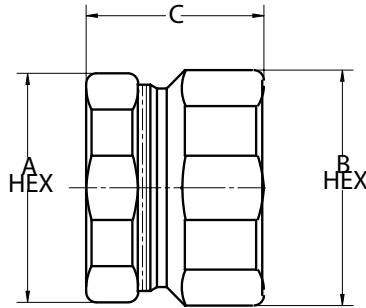
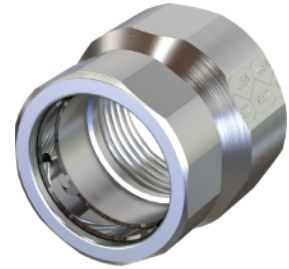
Zinc Plated with Chromate Finish **

Made in the USA

TWICE the Strength and Durability of Die Cast & Malleable Iron Products

Split Coupling EMT Compression to Threaded Rigid Conduit

Industrial SPEC-grade



Converts EMT to Rigid or IMC conduit
EMT compression coupling one end,
rigid threaded coupling other end.

Precision Machined from Solid Alloy Bar Stock
Machined Cut Threads
Full Compression EZ Torque Nuts
1/2 the Weight of Malleable Iron Fittings

Cat. #	Trade Size	Type	A - hex	B - hex	C Length	Unit Ctn	Std Ctn	WT/ 100
ETR50	1/2"	STANDARD	15/16	15/16	1-1/4	25	250	11
ETR50RT	1/2"	RAINTIGHT	15/16	15/16	1-1/4	25	250	11
ETR75	3/4"	STANDARD	1-11/64	1-9/32	1-9/32	10	100	16
ETR75RT	3/4"	RAINTIGHT	1-11/64	1-9/32	1-9/32	10	100	16
ETR100	1"	STANDARD	1-7/16	1-9/16	1-15/32	5	50	26
ETR100RT	1"	RAINTIGHT	1-7/16	1-9/16	1-15/32	5	50	26
ETR125	1-1/4"	STANDARD	1-13/16	1-13/16	1-9/16	5	50	31
ETR125RT	1-1/4"	RAINTIGHT	1-13/16	1-13/16	1-9/16	5	50	31
ETR150	1-1/2"	STANDARD	2-1/16	2-1/16	1-25/32	5	25	41
ETR150RT	1-1/2"	RAINTIGHT	2-1/16	2-1/16	1-25/32	5	25	41
ETR200	2"	STANDARD	2-9/16	2-9/16	1-7/8	5	25	61
ETR200RT	2"	RAINTIGHT	2-9/16	2-9/16	1-7/8	5	25	61
ETR250	2-1/2"	STANDARD	3-1/4	3-1/4	2-25/32	-	5	150
ETR250RT	2-1/2"	RAINTIGHT	3-1/4	3-1/4	2-25/32	-	5	150
ETR300	3"	STANDARD	3-29/32	3-29/32	2-25/32	-	5	194
ETR300RT	3"	RAINTIGHT	3-29/32	3-29/32	2-25/32	-	5	194
ETR350	3-1/2"	STANDARD	4-13/32	4-13/32	2-25/32	-	4	240
ETR350RT	3-1/2"	RAINTIGHT	4-13/32	4-13/32	2-25/32	-	4	240
ETR400	4"	STANDARD	4-29/32	4-29/32	2-25/32	-	2	300
ETR400RT	4"	RAINTIGHT	4-29/32	4-29/32	2-25/32	-	2	300

Compliances:

- Certified Made in the USA
- UL 514B, 467
- Compression Fittings Concrete Tight
- Suitable for Direct Burial ***
- NEMA Standard FB1
- Federal Standard A-A-50553
- Certified for MIL-STD 810 Sinusoidal Vibrations
- CSA Standard: C22.2 No. 18F
- RoHS Compliant
- REACH Compliant
- CA Prop 65 Compliant
- UNSPSC 39131707



Available OPTIONS:

- ** Galvanized Plating - Option
For this Option, Add Suffix "G" to Above Cat Number
- *** Rain Tight RT Series Recommended for
Direct Burial Requirements