



# Rigid Steel Reducing Bushings -OL

Since 1946

**Size Range: 1/2" -4"**

**Product Series: RB Reducing Bushings for Ordinary Locations**

**Material: Solid Alloy Steel Construction**

**Zinc Plated with Chromate Finish \*\***

**Made in the USA**

**Features:**

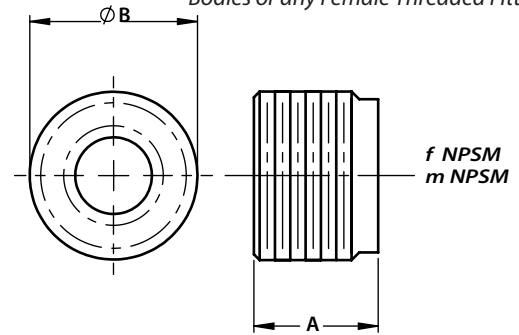
**Precision Machined Cut Threads**

**Smooth ID for EZ Fast Wire Pull**

**Twice the Strength and Durability of Die Cast & Malleable Products**

**Industrial SPEC-grade**

*For Use on Rigid / IMC Conduit  
Reduces the Threaded Opening on Conduit  
Bodies or any Female Threaded Fitting.*



Ordinary Locations Steel Reducing Bushings



**Compliances:**

Certified Made in the USA

UL 514B, 467

NEMA Standard FB1

Federal Standard A-A-50553

CSA Standard: C22.2 No. 18F

RoHS Compliant

REACH Compliant

CA Prop 65 Compliant

UNSPSC 39121312



**Available Options:**

\*\* Galvanized Plating Option Available Add suffix "G" to cat #'s

Other Configurations and Material  
Hazardous Locations in Steel and Aluminum

Cat #	Trade Size	A	ØB	Wt. Per/C
RB5038	1/2" x 3/8"	9/16"	13/16"	2
RB7550	3/4" x 1/2"	9/16"	1"	4
RB10050	1" x 1/2"	5/8"	1-5/16"	12
RB10075	1" x 3/4"	5/8"	1-5/16"	7
RB12550	1-1/4" x 1/2"	11/16"	1-5/8"	26
RB12575	1-1/4" x 3/4"	11/16"	1-5/8"	22
RB125100	1-1/4" x 1"	11/16"	1-5/8"	13
RB15050	1-1/2" x 1/2"	7/8"	1-7/8"	40
RB15075	1-1/2" x 3/4"	7/8"	1-7/8"	34
RB150100	1-1/2" x 1"	7/8"	1-7/8"	26
RB150125	1-1/2" x 1-1/4"	7/8"	1-7/8"	11
RB20050	2" x 1/2"	7/8"	2-5/16"	80
RB20075	2" x 3/4"	7/8"	2-5/16"	74
RB200100	2" x 1"	7/8"	2-5/16"	64
RB200125	2" x 1-1/4"	7/8"	2-5/16"	46
RB200150	2" x 1-1/2"	7/8"	2-5/16"	30
RB250100	2-1/2" x 1"	15/16"	2-13/16"	118
RB250125	2-1/2" x 1-1/4"	15/16"	2-13/16"	98
RB250150	2-1/2" x 1-1/2"	15/16"	2-13/16"	81
RB250200	2-1/2" x 2"	15/16"	2-13/16"	44
RB300125	3" x 1-1/4"	1-1/16"	2-7/16"	194
RB300150	3" x 1-1/2"	1-1/16"	2-7/16"	178
RB300200	3" x 2"	1-1/16"	2-7/16"	135
RB300250	3" x 2-1/2"	1-1/16"	2-7/16"	80
RB350150	3-1/2" x 1-1/2"	1-1/16"	2-15/16"	261
RB350200	3-1/2" x 2"	1-1/16"	2-15/16"	215
RB350250	3-1/2" x 2-1/2"	1-1/16"	2-15/16"	161
RB350300	3-1/2" x 3"	1-1/16"	2-15/16"	74
RB400200	4" x 2"	1-1/16"	4-7/16"	308
RB400250	4" x 2-1/2"	1-1/16"	4-7/16"	257
RB400300	4" x 3"	1-1/16"	4-7/16"	167
RB400350	4" x 3-1/2"	1-1/16"	4-7/16"	85

## Rigid Steel Reducing Bushings - Haz.

Size Range: 1/2" - 4"

Product Series: RBH Reducing Bushings for Hazardous Locations

Material: Solid Alloy Steel Construction

Zinc Plated with Chromate Finish \*\*

Made in the USA

Twice the Strength and Durability of Die Cast & Malleable Products

Features:

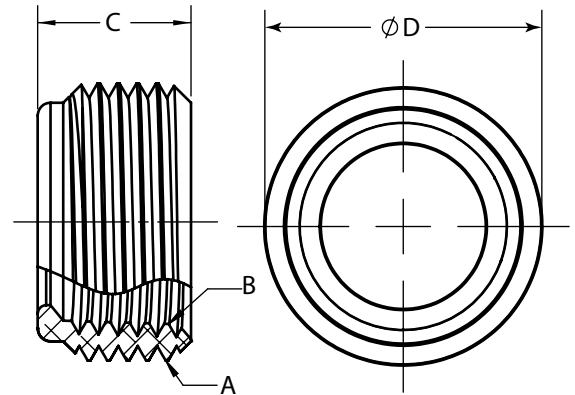
Precision Machined Cut NPT Tapered Threads

Smooth ID for EZ Fast Wire Pull

### Industrial SPEC-grade

For Use on Rigid / IMC Conduit

Reduces the Threaded Opening on Conduit Bodies or any Female Threaded Fitting.



Solid Alloy Steel  
Hazardous Locations Reducing Bushings



CAT #	TRADE SIZE	A EXTERNAL THREAD	B INTERNAL THREAD	C LENGTH	D DIAMETER	Wt. Per/C
RB7550H	3/4" x 1/2"	3/4"-14 NPT	1/2"-14 NPT	3/4"	1-1/16"	5
RB10050H	1" x 1/2"	1"-11.5 NPT	1/2"-14 NPT	3/4"	1-5/16"	14
RB10075H	1" x 3/4"	1"-11.5 NPT	3/4"-14 NPT	3/4"	1-5/16"	8
RB12550H	1-1/4" x 1/2"	1-1/4"-11.5 NPT	1/2"-14 NPT	7/8"	1-5/8"	34
RB12575H	1-1/4" x 3/4"	1-1/4"-11.5 NPT	3/4"-14 NPT	7/8"	1-5/8"	27
RB125100H	1-1/4" x 1"	1-1/4"-11.5 NPT	1"-11.5 NPT	7/8"	1-5/8"	17
RB15050H	1-1/2" x 1/2"	1-1/2"-11.5 NPT	1/2"-14 NPT	15/16"	1-7/8"	52
RB15075H	1-1/2" x 3/4"	1-1/2"-11.5 NPT	3/4"-14 NPT	15/16"	1-7/8"	46
RB150100H	1-1/2" x 1"	1-1/2"-11.5 NPT	1"-11.5 NPT	15/16"	1-7/8"	35
RB150125H	1-1/2" x 1-1/4"	1-1/2"-11.5 NPT	1-1/4"-11.5 NPT	15/16"	1-7/8"	15
RB20050H	2" x 1/2"	2"-11.5 NPT	1/2"-14 NPT	15/16"	2-3/8"	107
RB20075H	2" x 3/4"	2"-11.5 NPT	3/4"-14 NPT	15/16"	2-3/8"	86
RB200100H	2" x 1"	2"-11.5 NPT	1"-11.5 NPT	15/16"	2-3/8"	74
RB200125H	2" x 1-1/4"	2"-11.5 NPT	1-1/4"-11.5 NPT	15/16"	2-3/8"	48
RB200150H	2" x 1-1/2"	2"-11.5 NPT	1-1/2"-11.5 NPT	15/16"	2-3/8"	38
RB250100H	2-1/2" x 1"	2-1/2"-8 NPT	1"-11.5 NPT	1-1/8"	2-13/16"	147
RB250125H	2-1/2" x 1-1/4"	2-1/2"-8 NPT	1-1/4"-11.5 NPT	1-1/8"	2-13/16"	121
RB250150H	2-1/2" x 1-1/2"	2-1/2"-8 NPT	1-1/2"-11.5 NPT	1-1/8"	2-13/16"	105
RB250200H	2-1/2" x 2"	2-1/2"-8 NPT	2"-11.5 NPT	1-1/8"	2-13/16"	59
RB300125H	3" x 1-1/4"	3"-8 NPT	1-1/4"-11.5 NPT	1-1/8"	3-7/16"	220
RB300150H	3" x 1-1/2"	3"-8 NPT	1-1/2"-11.5 NPT	1-1/8"	3-7/16"	210
RB300200H	3" x 2"	3"-8 NPT	2"-11.5 NPT	1-1/8"	3-7/16"	148
RB300250H	3" x 2-1/2"	3"-8 NPT	2-1/2"-8 NPT	1-1/8"	3-7/16"	96
RB350150H	3-1/2" x 1-1/2"	3-1/2"-8 NPT	1-1/2"-11.5 NPT	1-1/4"	4"	290
RB350200H	3-1/2" x 2"	3-1/2"-8 NPT	2"-11.5 NPT	1-1/4"	4"	238
RB350250H	3-1/2" x 2-1/2"	3-1/2"-8 NPT	2-1/2"-8 NPT	1-1/4"	4"	186
RB350300H	3-1/2" x 3"	3-1/2"-8 NPT	3"-8 NPT	1-1/4"	4"	82
RB400200H	4" x 2"	4"-8 NPT	2"-11.5 NPT	1-1/4"	4-1/2"	340
RB400250H	4" x 2-1/2"	4"-8 NPT	2-1/2"-8 NPT	1-1/4"	4-1/2"	285
RB400300H	4" x 3"	4"-8 NPT	3"-8 NPT	1-1/4"	4-1/2"	230
RB400350H	4" x 3-1/2"	4"-8 NPT	3-1/2"-8 NPT	1-1/4"	4-1/2"	126

### Compliances:

Certified Made in the USA

UL 1203

UL Listed for Hazardous Locations,

Class I, Division 1 & 2, Groups A, B, C, D

Class II, Division 1, Groups E, F, G

Class II, Div 1 & 2

NEMA Standard FB1

Federal Standard A-A-50553

UL Standards: 514B, 467

CSA Standard: C22.2 No. 30

RoHS and REACH Compliant

Prop.65 CA Compliant

UNSPSC 39121312

Available Options:

Other Configurations and Material

Hazardous Locations in Aluminum Construction

Ordinary Locations in Steel and Aluminum

\*\* Galvanized Plating Option Available Add suffix "G" to cat #'s



## Rigid AL Reducing Bushings - Haz.

Size Range: 1/2" - 4"

Product Series: RBH Reducing Bushings for Hazardous Locations

Material: Aluminum (Copper Free) Solid Bar Construction

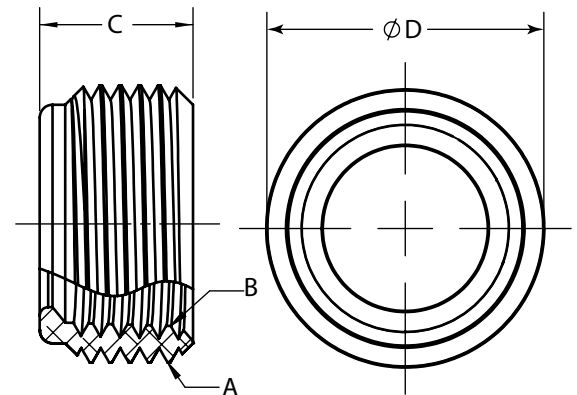
**Industrial SPEC-grade**

For Use on Rigid / IMC Conduit  
Reduces the Threaded Opening on Conduit Bodies or any Female Threaded Fitting.

Made in the USA

Twice the Strength and Durability of Cast Aluminum

Features:  
Precision Machined Cut NPT Tapered Threads  
Smooth ID for EZ Fast Wire Pull



ALUMINUM (Cu Free)  
Hazardous Locations Reducing Bushings



CAT #	Trade Size	A External Thread	B Internal Thread	C Length	D Diameter	Wt. Per/C
RB7550HAL	3/4" x 1/2"	3/4"-14 NPT	1/2"-14 NPT	3/4"	1-1/16"	3
RB10050HAL	1" x 1/2"	1"-11.5 NPT	1/2"-14 NPT	3/4"	1-5/16"	6
RB10075HAL	1" x 3/4"	1"-11.5 NPT	3/4"-14 NPT	3/4"	1-5/16"	4
RB12550HAL	1-1/4" x 1/2"	1-1/4"-11.5 NPT	1/2"-14 NPT	7/8"	1-5/8"	12
RB12575HAL	1-1/4" x 3/4"	1-1/4"-11.5 NPT	3/4"-14 NPT	7/8"	1-5/8"	10
RB125100HAL	1-1/4" x 1"	1-1/4"-11.5 NPT	1"-11.5 NPT	7/8"	1-5/8"	7
RB15050HAL	1-1/2" x 1/2"	1-1/2"-11.5 NPT	1/2"-14 NPT	15/16"	1-7/8"	19
RB15075HAL	1-1/2" x 3/4"	1-1/2"-11.5 NPT	3/4"-14 NPT	15/16"	1-7/8"	16
RB150100HAL	1-1/2" x 1"	1-1/2"-11.5 NPT	1"-11.5 NPT	15/16"	1-7/8"	13
RB150125HAL	1-1/2" x 1-1/4"	1-1/2"-11.5 NPT	1-1/4"-11.5 NPT	15/16"	1-7/8"	7
RB20050HAL	2" x 1/2"	2"-11.5 NPT	1/2"-14 NPT	15/16"	2-3/8"	33
RB20075HAL	2" x 3/4"	3/4"-14 NPT	3/4"-14 NPT	15/16"	2-3/8"	31
RB200100HAL	2" x 1"	2"-11.5 NPT	1"-11.5 NPT	15/16"	2-3/8"	27
RB200125HAL	2" x 1-1/4"	2"-11.5 NPT	1-1/4"-11.5 NPT	15/16"	2-3/8"	22
RB200150HAL	2" x 1-1/2"	2"-11.5 NPT	1-1/2"-11.5 NPT	15/16"	2-3/8"	17
RB250100HAL	2-1/2" x 1"	2-1/2"-8 NPT	1"-11.5 NPT	1-1/8"	2-13/16"	53
RB250125HAL	2-1/2" x 1-1/4"	2-1/2"-8 NPT	1-1/4"-11.5 NPT	1-1/8"	2-13/16"	44
RB250150HAL	2-1/2" x 1-1/2"	2-1/2"-8 NPT	1-1/2"-11.5 NPT	1-1/8"	2-13/16"	37
RB250200HAL	2-1/2" x 2"	2-1/2"-8 NPT	2"-11.5 NPT	1-1/8"	2-13/16"	29
RB300125HAL	3" x 1-1/4"	3"-8 NPT	1-1/4"-11.5 NPT	1-1/8"	3-7/16"	78
RB300150HAL	3" x 1-1/2"	3"-8 NPT	1-1/2"-11.5 NPT	1-1/8"	3-7/16"	71
RB300200HAL	3" x 2"	3"-8 NPT	2"-11.5 NPT	1-1/8"	3-7/16"	52
RB300250HAL	3" x 2-1/2"	3"-8 NPT	2-1/2"-8 NPT	1-1/8"	3-7/16"	31
RB350150HAL	3-1/2" x 1-1/2"	3-1/2"-8 NPT	1-1/2"-11.5 NPT	1-1/4"	4"	110
RB350200HAL	3-1/2" x 2"	3-1/2"-8 NPT	2"-11.5 NPT	1-1/4"	4"	92
RB350250HAL	3-1/2" x 2-1/2"	3-1/2"-8 NPT	2-1/2"-8 NPT	1-1/4"	4"	69
RB350300HAL	3-1/2" x 3"	3-1/2"-8 NPT	3"-8 NPT	1-1/4"	4"	32
RB400200HAL	4" x 2"	4"-8 NPT	2"-11.5 NPT	1-1/4"	4-1/2"	138
RB400250HAL	4" x 2-1/2"	4"-8 NPT	2-1/2"-8 NPT	1-1/4"	4-1/2"	115
RB400300HAL	4" x 3"	4"-8 NPT	3"-8 NPT	1-1/4"	4-1/2"	72
RB400350HAL	4" x 3-1/2"	4"-8 NPT	3-1/2"-8 NPT	1-1/4"	4-1/2"	37

**Compliances:**

Certified Made in the USA

UL 1203

UL Listed for Hazardous Locations,  
Class I, Division 1 & 2, Groups A, B, C, D  
Class II, Division 1, Groups E, F, G

Class II, Div 1 & 2

NEMA Standard FB1

Federal Standard A-A-50553

UL Standards: 514B, 467

CSA Standard: C22.2 No. 30

RoHS and REACH Compliant

Prop.65 CA Compliant

UNSPSC 39121312



**Available Options:**

Other Configurations and Material  
Hazardous Locations in Steel Construction  
Ordinary Locations in Steel and Aluminum