

Ground Bushings Steel Thr'd w/Lug

Size Range: 1/2" - 4"

Product Series: GB Grounding Bushings Threaded

Furnished with Factory Installed AL Lay In Grounding Lug*

Material: Solid Alloy Steel Construction

Zinc Plated with Chromate Finish**

Made in the USA

Solid Steel Construction with Factory Installed Insulator

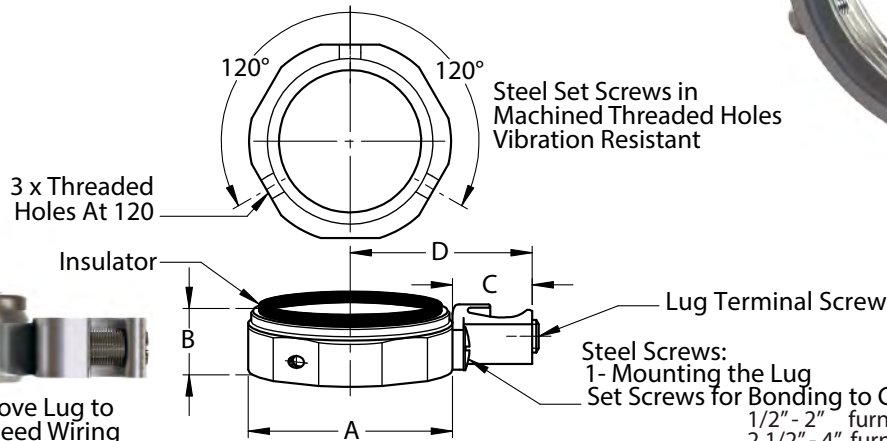
Precision Cut Machined Threads

Flat Hex Surface for Full Torque Values

Insulator Throat Bushing Prevents Damage to Wire

Twice the Strength and Durability of Die Cast & Malleable Iron

EZ Installation & Wiring Move Lug to Avoid Interference and Speed Wiring



Industrial SPEC-grade

For Use On Threaded Rigid/imc Conduit to Provide a Means of Grounding Threaded Conduit Through an Insulated Bushing.

Cat #	Trade Size	Ø A	B	C	D	Lug Wire Range		Wt. Per/C
						Min Solid	Max Strand	
GB50BGL	1/2"	1-1/16"	5/8"	3/4"	1-5/16"	#14	#4	8
GB75BGL	3/4"	1-1/4"	5/8"	3/4"	1-3/8"	#14	#4	8
GB75BGL-0	3/4"	1-1/4"	5/8"	1-1/8"	1-11/16"	#8	#1/0	17
GB100BGL	1"	1-1/2"	3/4"	3/4"	1-1/2"	#14	#4	11
GB100BGL-0	1"	1-1/2"	3/4"	1-1/8"	1-7/8"	#8	#1/0	20
GB125BGL	1-1/4"	1-7/8"	3/4"	3/4"	1-11/16"	#14	#4	17
GB125BGL-0	1-1/4"	1-7/8"	3/4"	1-1/8"	2-1/16"	#8	#1/0	26
GB150BGL	1-1/2"	2-1/16"	3/4"	3/4"	1-13/16"	#14	#4	21
GB150BGL-0	1-1/2"	2-1/16"	3/4"	1-1/8"	2-1/8"	#8	#1/0	30
GB200BGL	2"	2-11/16"	3/4"	3/4"	2-1/6"	#14	#4	28
GB200BGL-0	2"	2-11/16"	3/4"	1-1/8"	2-3/8"	#8	#1/0	36
GB250BGL	2-1/2"	3-7/16"	1-1/16"	1-3/16"	2-13/16"	#14	#1/0	77
GB250BGL-250	2-1/2"	3-7/16"	1-1/16"	1-11/16"	3-3/8"	#6	250 MCM	90
GB300BGL	3"	4"	1-1/16"	1-3/16"	3-1/8"	#14	#1/0	89
GB300BGL-250	3"	4"	1-1/16"	1-11/16"	3-11/16"	#6	250 MCM	105
GB350BGL	3-1/2"	4-1/2"	1-1/16"	1-3/16"	3-3/8"	#14	#1/0	110
GB350BGL-250	3-1/2"	4-1/2"	1-1/16"	1-11/16"	3-15/16"	#6	250 MCM	124
GB400BGL	4"	5-1/8"	1-1/16"	1-3/16"	3-15/16"	#14	#1/0	121
GB400BGL-250	4"	5-1/8"	1-1/16"	1-11/16"	4-3/16"	#6	250 MCM	135

Compliances:

Certified Made in the USA

UL 514B, 467

Insulated Throat Bushing is UL Listed & 150° Rated

NEMA Standard FB1

Federal Standard A-A-50553

CSA Standard: C22.2 No. 18F

RoHS Compliant

REACH Compliant

CA Prop 65 Compliant

UNSPSC 39121312



Available OPTIONS:

Aluminum Construction for Aluminum Conduit - Add Suffix AL to Cat #

* Grounding Lug Options:

Copper Lug Add Suffix CU to Cat #

Consult Factory for Tin Plated Aluminum Lugs

Other Wire Lug Sizes Consult Factory

** Galvanized Plating - Option

For this Option, Add Suffix "G" to Above Cat Number

GB Series Available Threaded and NT With and Without Lugs

Ground Bushings AL Thr'd w/Lug

Size Range: 1/2" - 4"

Product Series: GBAL Grounding Bushings Threaded

Furnished with Factory Installed AL Lay In Grounding Lug**

Material: Alumium (Copper Free) *

Made in the USA

Furnished with Factory Installed Insulated Throat Bushing
UL Listed 150 deg. C

Twice the Strength and Durability of Cast Aluminum Products

EZ Installation & Wiring Orientate Lug to Any One
of 3 Pre Drilled Threaded Holes
Avoids Interference and Speed Wiring

Avoids Interference and Speed Wiring

EZ Installation & Wiring Move Lug to
Avoid Interference and Speed Wiring

Cat #	Trade Size	Ø A	B	C	D	Lug Wire Range		Wt. Per/C
						Min Solid	Max Strand	
GB50BGL AL	1/2"	1-1/16"	5/8"	3/4"	1-5/16"	#14	#4	5
GB75BGL AL	3/4"	1-1/4"	5/8"	3/4"	1-3/8"	#14	#4	6
GB75BGL-0 AL	3/4"	1-1/4"	5/8"	1-1/8"	1-11/16"	#8	#1/0	12
GB100BGL AL	1"	1-1/2"	3/4"	3/4"	1-1/2"	#14	#4	11
GB100BGL-0 AL	1"	1-1/2"	3/4"	1-1/8"	1-7/8"	#8	#1/0	15
GB125BGL AL	1-1/4"	1-7/8"	3/4"	3/4"	1-11/16"	#14	#4	17
GB125BGL-0 AL	1-1/4"	1-7/8"	3/4"	1-1/8"	2-1/16"	#8	#1/0	26
GB150BGLAL	1-1/2"	2-1/16"	3/4"	3/4"	1-13/16"	#14	#4	21
GB150BGL-0 AL	1-1/2"	2-1/16"	3/4"	1-1/8"	2-1/8"	#8	#1/0	30
GB200BGL AL	2"	2-11/16"	3/4"	3/4"	2-1/6"	#14	#4	28
GB200BGL-0 AL	2"	2-11/16"	3/4"	1-1/8"	2-3/8"	#8	#1/0	36
GB250BGL AL	2-1/2"	3-7/16"	1-1/16"	1-3/16"	2-13/16"	#14	#1/0	77
GB250BGL-250 AL	2-1/2"	3-7/16"	1-1/16"	1-11/16"	3-3/8"	#6	250 MCM	90
GB300BGL AL	3"	4"	1-1/16"	1-3/16"	3-1/8"	#14	#1/0	89
GB300BGL-250 AL	3"	4"	1-1/16"	1-11/16"	3-11/16"	#6	250 MCM	105
GB350BGL AL	3-1/2"	4-1/2"	1-1/16"	1-3/16"	3-3/8"	#14	#1/0	110
GB350BGL-250 AL	3-1/2"	4-1/2"	1-1/16"	1-11/16"	3-15/16"	#6	250 MCM	124
GB400BGL AL	4"	5-1/8"	1-1/16"	1-3/16"	3-15/16"	#14	#1/0	121
GB400BGL-250 AL	4"	5-1/8"	1-1/16"	1-11/16"	4-3/16"	#6	250 MCM	105

Compliances:

- Certified Made in the USA
- UL 514B, 467
- Insulated Throat Bushing is UL Listed & 150° Rated
- NEMA Standard FB1
- Federal Standard A-A-50553
- CSA Standard: C22.2 No. 18F
- RoHS Compliant
- REACH Compliant
- CA Prop 65 Compliant
- UNSPSC 39121312



Industrial SPEC-grade

For Use On Threaded Aluminum Conduit to Provide
a Means of Grounding Threaded Conduit Through
an Insulated Bushing.

Fully Machined ID for EZ Pull of Wires
and Provides Protection for Wires.



Threaded

Set Screws in
Machined Threaded Holes
Vibration Resistant

Screws:
1- Mounting the Lug
Set Screws for Bonding to Conduit
1/2" - 2" furnished with 1 set screw
2 1/2" - 4" furnished with 2 set screws

Available OPTIONS:

Materials: Steel Construction for RGS and IMC Conduit-

**** Grounding Lug Options:**

Consult Factory for Tin Plated Aluminum Lugs
Other Wire Lug Sizes Consult Factory

GB Series Available Threaded and NT With and Without Lugs

Ground Bushings Steel - NT w/Lug

Size Range: 1/2" - 4"

Product Series: GBNT GL No Threads (NT) Grounding Bushings

Furnished with Factory Installed Lay In Grounding Lug**

Material: Solid Alloy Steel Construction*

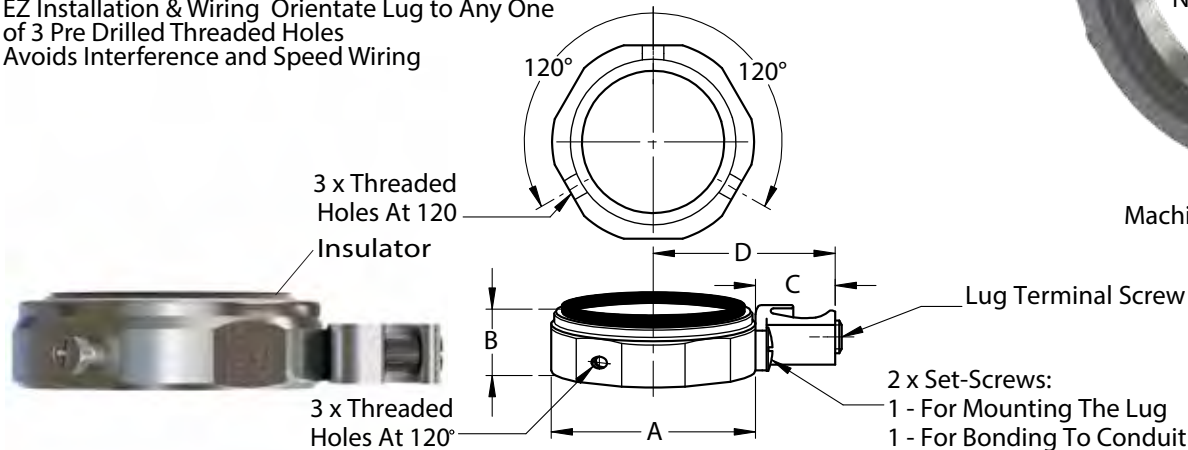
Zinc Plated with Chromate Finish***

Made in the USA

Furnished with Factory Installed Insulated Throat Bushing
UL Listed 150 deg. C

Twice the Strength and Durability of Die Cast & Malleable Iron

EZ Installation & Wiring Orientate Lug to Any One
of 3 Pre Drilled Threaded Holes
Avoids Interference and Speed Wiring



No Threads
Steel Set Screws in Machined Threaded Holes Vibration Resistant

Industrial SPEC-grade

For Use On Rigid/IMC & EMT Conduit to Provide a Means of Grounding Conduit Through an Insulated Bushing.

Suitable for EMT, RGS and IMC Conduit Fully Machined ID for EZ Pull of Wires and Provides Protection for Wires.

Cat #	Trade Size	Ø A	B	C	D	Wire Range		Wt. Per/C
						Min Solid	Max Strand	
GB50BNTGL	1/2"	1-1/16"	5/8"	3/4"	1-5/16"	#14	#4	7
GB75BNTGL	3/4"	1-1/4"	5/8"	3/4"	1-3/8"	#14	#4	7
GB75BNTGL-0	3/4"	1-1/4"	5/8"	1-1/8"	1-11/16"	#8	#1/0	15
GB100BNTGL	1"	1-1/2"	3/4"	3/4"	1-1/2"	#14	#4	9
GB100BNTGL-0	1"	1-1/2"	3/4"	1-1/8"	1-7/8"	#8	#1/0	17
GB125BNTGL	1-1/4"	1-7/8"	3/4"	3/4"	1-11/16"	#14	#4	15
GB125BNTGL-0	1-1/4"	1-7/8"	3/4"	1-1/8"	2-1/16"	#8	#1/0	22
GB150BNTGL	1-1/2"	2-1/16"	3/4"	3/4"	1-13/16"	#14	#4	16
GB150BNTGL-0	1-1/2"	2-1/16"	3/4"	1-1/8"	2-1/8"	#8	#1/0	24
GB200BNTGL	2"	2-11/16"	3/4"	3/4"	2-1/6"	#14	#4	20
GB200BNTGL-0	2"	2-11/16"	3/4"	1-1/8"	2-3/8"	#8	#1/0	28
GB250BNTGL	2-1/2"	3-7/16"	1-1/16"	1-3/16"	2-13/16"	#14	#1/0	63
GB250BNTGL-250	2-1/2"	3-7/16"	1-1/16"	1-11/16"	3-3/8"	#6	250 MCM	78
GB300BNTGL	3"	4"	1-1/16"	1-3/16"	3-1/8"	#14	#1/0	75
GB300BNTGL-250	3"	4"	1-1/16"	1-11/16"	3-11/16"	#6	250 MCM	90
GB350BNTGL	3-1/2"	4-1/2"	1-1/16"	1-3/16"	3-3/8"	#14	#1/0	92
GB350BNTGL-250	3-1/2"	4-1/2"	1-1/16"	1-11/16"	3-15/16"	#6	250 MCM	105
GB400BNTGL	4"	5-1/8"	1-1/16"	1-3/16"	3-15/16"	#14	#1/0	96
GB400BNTGL-250	4"	5-1/8"	1-1/16"	1-11/16"	4-3/16"	#6	250 MCM	113

Compliances:

Certified Made in the USA
UL 514B, 467
Insulated Throat Bushing is UL Listed & 150° Rated
NEMA Standard FB1
Federal Standard A-A-50553
CSA Standard: C22.2 No. 18F
RoHS Compliant
REACH Compliant
CA Prop 65 Compliant
UNSPSC 39121312



Available OPTIONS:

* Aluminum Construction for Aluminum Conduit - Add Suffix AL to Cat #

** Grounding Lug Options Copper Lug Add Suffix CU to Cat #'s Consult Factory for Tin Plated Aluminum Lugs

If No Ground Lug is Required, Omit GL From Above Cat #'s

*** Galvanized Plating - Option

For this Option, Add Suffix "G" to Above Cat Number

GB Series Available Threaded and NT With and Without Lugs

Ground Bushings Steel - Threaded

Size Range: 1/2" - 4"

Product Series: RCB Rigid Conduit Bushings Threaded
Furnished Without a Ground Lug*

Material: Solid Alloy Steel Construction

Zinc Plated with Chromate Finish**

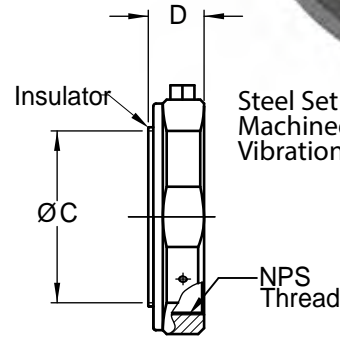
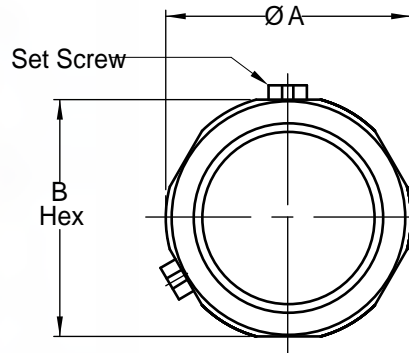
Made in the USA

Solid Steel Construction with Factory Installed Insulator
Precision Cut Machined Threads
Flat Hex Surface for Full Torque Values
Insulator Throat Bushing Prevents Damage to Wire

Twice the Strength and Durability of Die Cast & Malleable Iron

Industrial SPEC-grade

For Use On Threaded Rigid/imc Conduit to Provide a Means of Grounding Threaded Conduit Through an Insulated Bushing.



Steel Set Screws in Machined Threaded Holes
Vibration Resistant

Set Screws: 1/2" - 2" furnished with 1 set screw - 2 1/2" - 4" furnished with 2 set screws

Cat #	Trade Size	Thread	Ø A	B (Hex)	Ø C	D	Wt. Per/C
RCB 50B	1/2"	1/2" - 14 NPS	1-1/8	1-1/16	9/16	11/16	7
RCB 75B	3/4"	3/4" - 14 NPS	1-1/4	1-3/16	3/4	11/16	7
RCB100B	1"	1" - 11.5 NPS	1-1/2	1-7/16	1	13/16	10
RCB125B	1-1/4"	1-1/4" - 11.5 NPS	1-7/8	1-13/16	1-1/4	7/8	16
RCB150B	1-1/2"	1-1/2" - 11.5 NPS	2-3/16	2-1/16	1-1/2	7/8	20
RCB200B	2"	2 - 11.5 NPS	2-11/16	2-9/16	1-15/16	7/8	26
RCB250B	2-1/2"	2-1/2" - 8 NPS	3-7/16	3-1/4	2-1/4	1-1/16	70
RCB300B	3"	3" - 8 NPS	4	3-15/16	2-7/8	1-1/16	85
RCB350B	3-1/2"	3-1/2" - 8 NPS	4-9/16	4-7/16	3-1/4	1-1/16	104
RCB400B	4"	4" - 8 NPS	5-1/8	4-15/16	3-3/4	1-1/16	115

Compliances:

Certified Made in the USA
UL 514B, 467
Insulated Throat Bushing is UL Listed & 150° Rated
NEMA Standard FB1
Federal Standard A-A-50553
CSA Standard: C22.2 No. 18F
RoHS Compliant
REACH Compliant
CA Prop 65 Compliant
UNSPSC 39121312



Available Options:

Aluminum Construction for Aluminum Conduit -
Add Suffix AL to Cat #

* Grounding Lug Options:

Aluminum Ground Lug See Group GBGL
Copper Lug Add Suffix CU to Cat #
Consult Factory for Tin Plated Aluminum Lugs
Other Wire Lug Sizes Consult Factory

** Galvanized Plating - Option

For this Option, Add Suffix "G" to Above Cat Number

GB Series Available Threaded and NT With and Without Lugs

Rigid Steel Bushings Set Screw

Size Range: 1/2" - 4"

Product Series: RCBNT Grounding Bonding Bushings No Threads

Furnished without Ground Lug*

Material: Solid Alloy Steel Construction

Zinc Plated with Chromate Finish **

Made in the USA

Furnished with Factory Installed Insulated Throat Bushing
UL Listed 150 deg. C

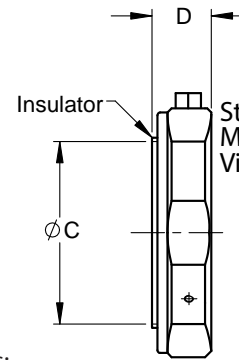
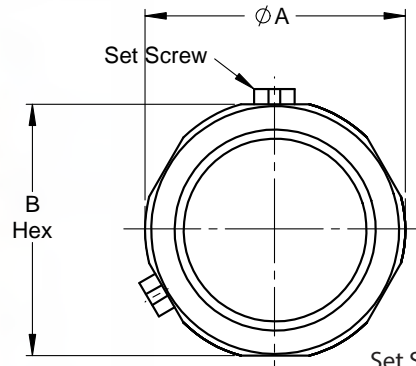
Twice the Strength and Durability of Die Cast & Malleable Iron

Industrial SPEC-grade

For Use On NT Rigid/imc and EMT Conduit to Provide a Means of Grounding Non-Threaded Conduit Through an Insulated Bushing.

Suitable for RGS, IMC Conduit and EMT

Fully Machined ID for EZ Pull of Wires and Provides Protection for Wires.



Set Screws:
1/2" - 2" furnished with 1 set screw
2 1/2" - 4" furnished with 2 set screws

Cat #	Trade Size	ϕA	B (Hex)	ϕC	D	Wt. Per/C
RCB 50BNT	1/2"	1-1/8	1-1/16	9/16	11/16	5
RCB 75BNT	3/4"	1-1/4	1-3/16	3/4	11/16	5
RCB100BNT	1"	1-1/2	1-7/16	1	13/16	7
RCB125BNT	1-1/4"	1-7/8	1-13/16	1-1/4	7/8	12
RCB150BNT	1-1/2"	2-3/16	2-1/16	1-1/2	7/8	14
RCB200BNT	2"	2-11/16	2-9/16	1-15/16	7/8	18
RCB250BNT	2-1/2"	3-7/16	3-1/4	2-1/4	1-1/16	58
RCB300BNT	3"	4	3-15/16	2-7/8	1-1/16	70
RCB350BNT	3-1/2"	4-9/16	4-7/16	3-1/4	1-1/16	85
RCB400BNT	4"	5-1/8	4-15/16	3-3/4	1-1/16	93

Compliances:

Certified Made in the USA
UL 514B, 467
Insulated Throat Bushing is UL Listed & 150° Rated
NEMA Standard FB1
Federal Standard A-A-50553
CSA Standard: C22.2 No. 18F
RoHS Compliant
REACH Compliant
CA Prop 65 Compliant
UNSPSC 39121312



Available OPTIONS

Aluminum Construction for Aluminum Conduit -
Add Suffix AL to Cat #

* If Ground Lug is Required, REFER to Cat # GB Series\

GB Series Available Threaded (Rigid) and NT (EMT and Rigid)

**Galvanized Plating - Option

For this Option, Add Suffix "G" to Above Cat Number

Rigid Steel Bushings - Threaded

Size Range: 1/2" - 4"

Product Series: RCB Rigid Conduit Bushings Threaded
Furnished Without a Ground Lug*

Material: Solid Alloy Steel Construction

Zinc Plated with Chromate Finish**

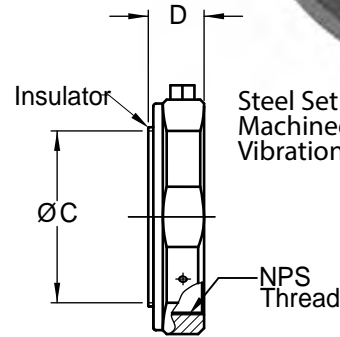
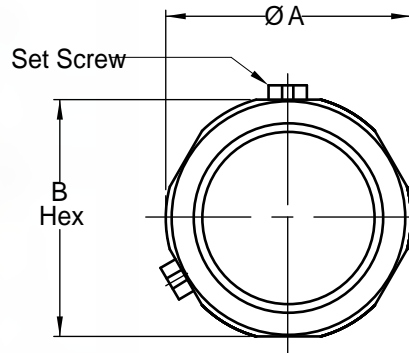
Made in the USA

Solid Steel Construction with Factory Installed Insulator
Precision Cut Machined Threads
Flat Hex Surface for Full Torque Values
Insulator Throat Bushing Prevents Damage to Wire

Twice the Strength and Durability of Die Cast & Malleable Iron

Industrial SPEC-grade

For Use On Threaded Rigid/imc Conduit to Provide a Means of Grounding Threaded Conduit Through an Insulated Bushing.



Steel Set Screws in Machined Threaded Holes
Vibration Resistant

Set Screws: 1/2" - 2" furnished with 1 set screw - 2 1/2" - 4" furnished with 2 set screws

Cat #	Trade Size	Thread	Ø A	B (Hex)	Ø C	D	Wt. Per/C
RCB 50B	1/2"	1/2" - 14 NPS	1-1/8	1-1/16	9/16	11/16	7
RCB 75B	3/4"	3/4" - 14 NPS	1-1/4	1-3/16	3/4	11/16	7
RCB100B	1"	1" - 11.5 NPS	1-1/2	1-7/16	1	13/16	10
RCB125B	1-1/4"	1-1/4" - 11.5 NPS	1-7/8	1-13/16	1-1/4	7/8	16
RCB150B	1-1/2"	1-1/2" - 11.5 NPS	2-3/16	2-1/16	1-1/2	7/8	20
RCB200B	2"	2 - 11.5 NPS	2-11/16	2-9/16	1-15/16	7/8	26
RCB250B	2-1/2"	2-1/2" - 8 NPS	3-7/16	3-1/4	2-1/4	1-1/16	70
RCB300B	3"	3" - 8 NPS	4	3-15/16	2-7/8	1-1/16	85
RCB350B	3-1/2"	3-1/2" - 8 NPS	4-9/16	4-7/16	3-1/4	1-1/16	104
RCB400B	4"	4" - 8 NPS	5-1/8	4-15/16	3-3/4	1-1/16	115

Compliances:

- Certified Made in the USA
- UL 514B, 467
- Insulated Throat Bushing is UL Listed & 150° Rated
- NEMA Standard FB1
- Federal Standard A-A-50553
- CSA Standard: C22.2 No. 18F
- RoHS Compliant
- REACH Compliant
- CA Prop 65 Compliant
- UNSPSC 39121312



Available Options:

Aluminum Construction for Aluminum Conduit -
Add Suffix AL to Cat #

* Grounding Lug Options:

- Aluminum Ground Lug See Group GBGL
- Copper Lug Add Suffix CU to Cat #
- Consult Factory for Tin Plated Aluminum Lugs
- Other Wire Lug Sizes Consult Factory

** Galvanized Plating - Option

For this Option, Add Suffix "G" to Above Cat Number

GB Series Available Threaded and NT With and Without Lugs