

EMT Steel Rain Tight Couplings

Size Range: 1/2" - 4" 2 1/2" thru 4" are UL Listed & Approved for Use on Both EMT & Rigid

Product Series: ECRT EMT Rain Tight Compression Coupling

Material: Solid Alloy Steel Construction

Zinc Plated with a Chromate Finish **

Made in the USA

Compression Nut Plated Gold Tone for EZ Inspection and Identification

Industrial SPEC-grade

Features:

Precision Machined Cut Threads

AMFICO EZ Torque Solid Steel Compression Nuts

Rain Tight Nuts Plated Gold Tone

RT Series: UL Listed Wet Locations, Rain Tight, Concrete Tight NEC 314.15

Suitable for Direct Burial

Guaranteed Rain Tight

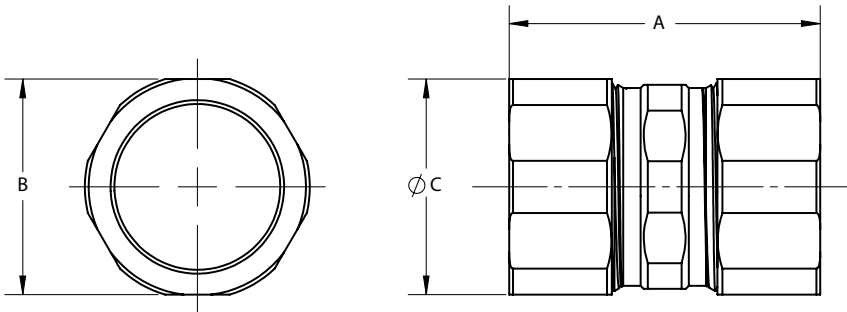
Twice the Strength and Durability of ALL Die Cast and Malleable Products



Rain Tight Compression Coupling



Full FLAT HEX Surface for EZ Torque Steel Compression Nuts Torques Tight & Right



RT Series Connectors & Couplings



UL LISTED

WET LOCATIONS Rain Tight - Concrete Tight

© American Fittings Corp. NJ

CAT #	TRADE SIZE	A LENGTH	B HEX	C DIAMETER	Wt. Per/C
EC760US RT	1/2"	1-3/8"	15/16"	1"	9
EC761US RT	3/4"	1-9/16"	1-3/16"	1-1/4"	13
EC762US RT	1"	1-5/8"	1-7/16"	1-1/2"	18
EC763US RT	1-1/4"	2"	1-13/16"	1-15/16"	29
EC764US RT	1-1/2"	2-1/4"	2-1/16"	2-3/16"	42
EC765US RT	2"	2-3/8"	2-9/16"	2-11/16"	61
ERC250CPLG RT (1)	2-1/2"	3-13/16"	3-1/4"	3-7/16"	127
ERC300CPLG RT (1)	3"	3-15/16"	3-15/16"	4"	167
ERC350CPLG RT (1)	3-1/2"	3-15/16"	4/7/16"	4-9/16"	204
ERC400CPLG RT (1)	4"	4"	4/15/16"	5-1/8"	235

(1) 2 1/2" to 4" UL Listed and Rated for Rigid Conduit. Product is stamped accordingly.

Compliances:

Certified Made in the USA

UL 514B, 467 UL Listed WET LOCATIONS Rain Tight NEC 314.15

Compression Fittings Concrete Tight

Suitable for Direct Burial ***

NEMA Standard FB1

Federal Standard A-A-50553

Certified for MIL-STD 810 Sinusoidal Vibrations

CSA Standard: C22.2 No. 18F

RoHS Compliant

REACH Compliant

CA Prop 65 Compliant

UNSPSC 39121434

Available OPTIONS:

** Galvanized Plating - Option

For this Option, Add Suffix "G" to Above Cat Number

*** Rain Tight Series Recommended for

Direct Burial Requirements

AMFICO 1/2"-4" EMT Rain Tight Connectors and Couplings are UL Listed for WET Locations NEC 514.14 and NEMA 4X and 3R, when properly installed under UL 514B and NEMA FB1 and used in conjunction with an enclosure accordingly UL Listed and NEMA rated.

EMT Steel Rain Tight Connectors

Size Range: 1/2" - 4" 2 1/2" thru 4" are UL Listed & Approved for Use on Both EMT & Rigid

Product Series: ECRT EMT Rain Tight Compression Connector

Material: Solid Alloy Steel Construction

Zinc Plated with Chromate Finish **

Made in the USA

Features:

Precision Machined Cut Threads

AMFICO EZ Torque Solid Steel Compression Nut

Rain Tight Nuts Plated Gold Tone

RT Series: UL Listed Wet Locations, Rain Tight, Concrete Tight NEC 314.15

Suitable for Direct Burial

Industrial SPEC-grade

Compression Nut Plated Gold Tone for EZ Inspection and Identification

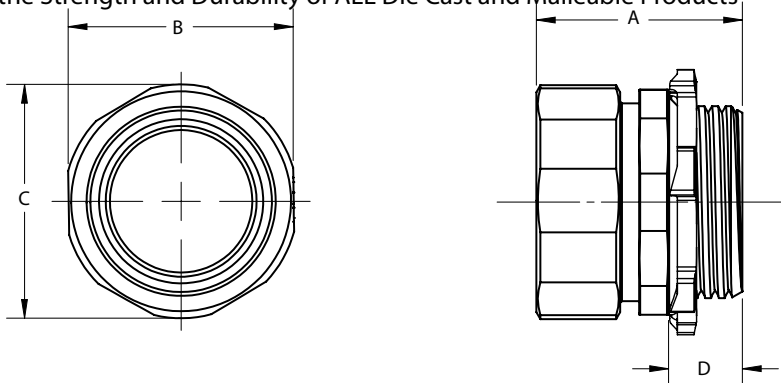
Guaranteed Rain Tight

Full FLAT HEX Surface for EZ Torque Steel Compression Nut Torques Tight & Right



Rain Tight Compression Connector Above Shown with Optional Insulated Bushing

Twice the Strength and Durability of ALL Die Cast and Malleable Products



Furnished with UL Listed Steel Locknut and Rain Tight Sealing Ring



Cat #	TRADE SIZE	A LENGTH	B HEX	C DIAMETER	D THREAD LENGTH	Wt. Per/C
EC750US RT	1/2"	1-3/16"	15/16"	1"	3/8"	8
EC751US RT	3/4"	1-1/4"	1-3/16"	1-1/4"	7/16"	12
EC752US RT	1"	1-1/2"	1-7/16"	1-1/2"	7/16"	19
EC753US RT	1-1/4"	1-7/8"	1-13/16"	1-7/8"	1/2"	30
EC754US RT	1-1/2"	2-3/16"	2-1/16"	2-3/16"	9/16"	46
EC755US RT	2"	2-7/8"	2-9/16"	2-7/8"	5/8"	55
ERC250CONN RT (1)	2-1/2"	3-7/16"	3-1/4"	3-7/16"	1"	120
ERC300CONN RT (1)	3"	4"	3-15/16"	4"	1"	165
ERC350CONN RT (1)	3-1/2"	4-9/16"	4-7/16"	4-9/16"	1"	201
ERC400CONN RT (1)	4"	5-1/8"	4-15/16"	5-1/8"	1"	237

RT Series Connectors & Couplings



(1) 2 1/2" to 4" UL Listed and Rated for Rigid Conduit. Product is stamped accordingly.

Compliances:

Certified Made in the USA

UL 514B, 467 UL Listed WET LOCATIONS, Rain Tight NEC 314.15

Compression Fittings Concrete Tight

Suitable for Direct Burial ***

NEMA Standard FB1

Federal Standard A-A-50553

Certified for MIL-STD 810 Sinusoidal Vibrations

CSA Standard: C22.2 No. 18F

RoHS Compliant

REACH Compliant

CA Prop 65 Compliant

UNSPSC 39121434

Available OPTIONS:

Factory Installed 105° UL Rating Insulated Bushing- For this Option, Add Suffix B to Above Cat Number

** Galvanized Plating - Option

For this Option, Add Suffix "G" to Above Cat Number

*** Rain Tight Series Recommended for Direct Burial Requirements



AMFICO 1/2"-4" EMT Rain Tight Connectors and Couplings are UL Listed for WET Locations NEC 514.14 and NEMA 4X and 3R, when properly installed under UL 514B and NEMA FB1 and used in conjunction with an enclosure accordingly UL Listed and NEMA rated.