

# EMT Steel Set Screw Coupling

**Size Range:** 1/2" - 4" 2 1/2" thru 4" are UL Listed & Approved for Use on Both EMT & Rigid

**Product Series:** SS - EMT Set Screw Coupling

**Material:** Solid Alloy Steel Construction

Zinc Plated with a Chromate Finish

*Made in the USA*

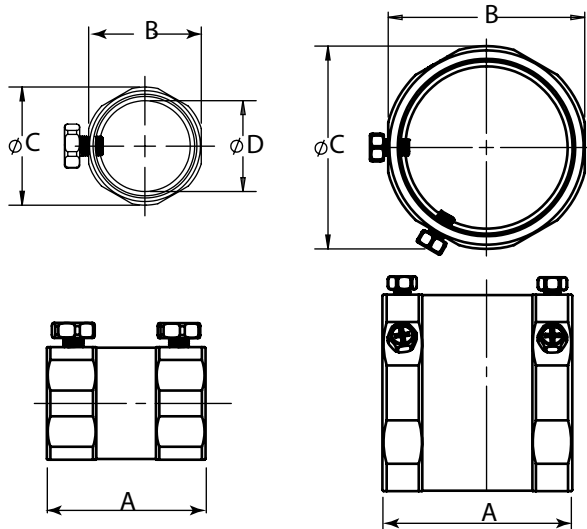
**Features:**

- Precision Machined Steel Body and Threaded Screw Holes
- Fully Avoids Cracking or Distortion from Tightening Set Screws
- AMFICO EZ Torque Tri-Head Steel Screws Will Not Crack, Vibration Resistant
- May be Installed Using Slotted, Phillips or Robertson Driver
- UL Rated Concrete Tight When Taped
- Twice the Strength and Durability of ALL Die Cast and Malleable Products

**Industrial SPEC-grade**



Set Screw Coupling



1/2" thru 2" have one set screw per end  
 2 1/2" thru 4" have two set screws per end  
 Recommended Torque 160-200 in-lb

Cat #	TRADE SIZE	A LENGTH	B HEX	C DIAMETER	D DIAMETER	Wt. Per/C
SS60US	1/2"	1-1/2"	7/8"	7/8"	11/16"	8
SS61US	3/4"	1-1/2"	1-1/16"	1-1/8"	7/8"	10
SS62US	1"	1-7/8"	1-3/8"	1-3/8"	1-1/8"	20
SS63US	1-1/4"	2-3/16"	1-11/16"	1-3/4"	1-1/2"	29
SS64US	1-1/2"	2-5/8"	1-15/16"	2-1/16"	1-11/16"	42
SS65US	2"	2-11/16"	2-7/16"	2-1/2"	2-1/8"	54
ERS250CPLG (1)	2-1/2"	2-9/16"	3-1/4"	3-7/16"	2-13/16"	108
ERS300CPLG (1)	3"	2-5/8"	3-15/16"	4"	3-7/16"	129
ERS350CPLG (1)	3-1/2"	2-5/8"	4-7/16"	4-9/16"	3-15/16"	154
ERS400CPLG (1)	4"	2-5/8"	4-15/16"	5-1/8"	4-7/16"	172

(1) 2 1/2" to 4" are UL Listed & Approved for use on BOTH EMT & Rigid Conduit. Product is stamped accordingly.

**Compliances:**

- Certified Made in the USA
- UL 514B, 467
- Set Screw Fittings Concrete Tight When Taped
- NEMA Standard FB1
- Federal Standard A-A-50553
- Certified for MIL-STD 810 Sinusoidal Vibrations
- CSA Standard: C22.2 No. 18F
- RoHS Compliant
- REACH Compliant
- CA Prop 65 Compliant
- UNSPSC 39121434



**Available OPTIONS:**

Color Coded Painted (powder coated) Fittings - See Catalog Page

# EMT Steel Set Screw Connector

**Size Range:** 1/2" - 4" 2 1/2" thru 4" are UL Listed & Approved for Use on Both EMT & Rigid

**Product Series:** SS - EMT Set Screw Connector

**Material:** Solid Alloy Steel Construction

Zinc Plated with a Chromate Finish

*Made in the USA*

**Features:**

Precision Machined Body and Scw Holes

Fully Avoids Cracking or Distortion from Tightening Set Screws

AMFICO *EZ Torque* Tri-Head Steel Screws Will Not Crack, Vibration Resistant

May be Installed Using Slotted, Phillips or Robertson Driver

UL Rated Concrete Tight When Taped

Twice the Strength and Durability of ALL Die Cast and Malleable Products

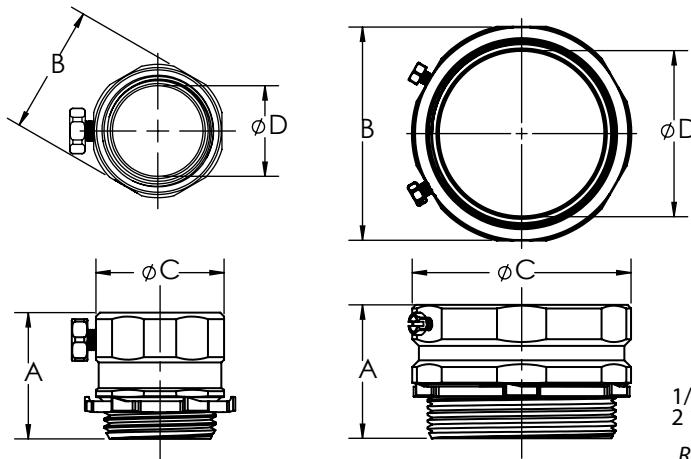
## Industrial SPEC-grade



Set Screw Connector Available with an Insulated Bushing\*



Furnished with a UL Listed Steel Locknut



1/2" thru 2" have one set screw per end  
2 1/2" thru 4" have two set screws per end

*Recommended Torque 160-200 in-lb*

Cat #	TRADE SIZE	A LENGTH	B HEX	C DIAMETER	D DIAMETER	Wt. Per/C
SS50US	1/2"	1-1/4"	15/16"	1"	9/16"	10
SS51US	3/4"	1-1/4"	1-3/16"	1-1/4"	13/16"	13
SS52US	1"	1-9/16"	1-7/16"	1-1/2"	1-1/16"	21
SS53US	1-1/4"	1-3/4"	1-13/16"	1-7/8"	1-3/8"	33
SS54US	1-1/2"	2"	2-1/16"	2-3/16"	1-9/16"	46
SS55US	2"	2"	2-9/16"	2-11/16"	2"	62
ERS250CONN (1)	2-1/2"	2-1/2"	3-1/4"	3-7/16"	2-7/16"	117
ERS300CONN (1)	3"	2-9/16"	3-15/16"	4"	3"	167
ERS350CONN (1)	3-1/2"	2-9/16"	4-7/16"	4-9/16"	3-1/2"	206
ERS400CONN (1)	4"	2-9/16"	4-15/16"	5-1/8"	3-15/16"	247

**(1) 2 1/2" to 4" are UL Listed & Approved for use on BOTH EMT & Rigid Conduit. Product is stamped accordingly.**

**Compliances:**

Certified Made in the USA

UL 514B, 467

Set Screw Fittings Concrete Tight When Taped

NEMA Standard FB1

Federal Standard A-A-50553

Certified for MIL-STD 810 Sinusoidal Vibrations

CSA Standard: C22.2 No. 18F

RoHS Compliant

REACH Compliant

CA Prop 65 Compliant

UNSPSC 39121434



**Available OPTIONS:**

\* Factory Installed 105° UL Rating Insulated Bushing-

*For this Option, Add Suffix B to Above Cat Number*

Color Coded Painted (powder coated) Fittings- *See Catalog Page*