

EMT Steel Compression Connector

Since 1946

Size Range: 1/2" - 4" 2 1/2" thru 4" are UL Listed & Approved for Use on Both EMT & Rigid

Product Series: EC - EMT Compression Connector

Material: Solid Alloy Steel Construction

Zinc Plated with a Chromate Finish **

Made in the USA

Features:

Precision Machined Cut Threads

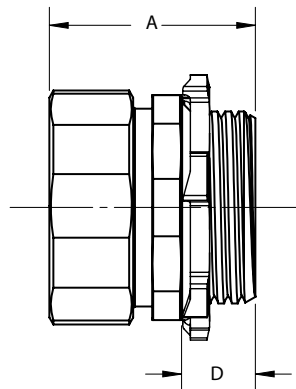
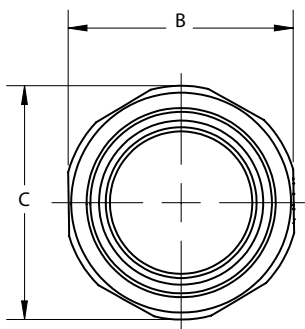
UL Rated Concrete Tight

Full FLAT HEX Surface with
EZ Torque Steel Compression Nut
Torques Tight & Right

Industrial SPEC-grade



Twice the Strength and Durability of ALL Die Cast and Malleable Products



Compression Connector
Above with Insulated Bushing



Furnished with a UL Listed
Steel Locknut

Cat #	TRADE SIZE	A LENGTH	B HEX	C DIAMETER	D THREAD LENGTH	Wt. Per/C
EC750US	1/2"	1-3/16"	15/16"	1"	3/8"	8
EC751US	3/4"	1-1/4"	1-3/16"	1-1/4"	7/16"	12
EC752US	1"	1-1/2"	1-7/16"	1-1/2"	7/16"	19
EC753US	1-1/4"	1-7/8"	1-13/16"	1-7/8"	1/2"	30
EC754US	1-1/2"	2-3/16"	2-1/16"	2-3/16"	9/16"	46
EC755US	2"	2-7/8"	2-9/16"	2-7/8"	5/8"	55
ERC250CONN (1)	2-1/2"	3-7/16"	3-1/4"	3-7/16"	1"	120
ERC300CONN (1)	3"	4"	3-15/16"	4"	1"	165
ERC350CONN (1)	3-1/2"	4-9/16"	4-7/16"	4-9/16"	1"	201
ERC400CONN (1)	4"	5-1/8"	4-15/16"	5-1/8"	1"	237

(1) 2 1/2" to 4" UL Listed and Rated for Rigid Conduit. Product is stamped accordingly.

Compliances:

Certified Made in the USA

UL 514B, 467

Compression Fittings Concrete Tight

Suitable for Direct Burial ***

NEMA Standard FB1

Federal Standard A-A-50553

Certified for MIL-STD 810 Sinusoidal Vibrations

CSA Standard: C22.2 No. 18F

RoHS Compliant

REACH Compliant

CA Prop 65 Compliant

UNSPSC 39121434



Available OPTIONS:

Factory Installed 105° UL Rating Insulated Bushing-
For this Option, Add Suffix B to Above Cat Number

RainTight Configuration - "RT series" See Catalog Page

** Galvanized Plating - Option

For this Option, Add Suffix "G" to Above Cat Number

Color Coded Painted (powder coated) Fittings- See Catalog Page

*** Rain Tight Series Recommended for
Direct Burial Requirements

EMT Steel Compression Coupling

Size Range: 1/2" - 4" 2 1/2" thru 4" are UL Listed & Approved for Use on Both EMT & Rigid

Product Series: EC - EMT Compression Coupling

Material: Solid Alloy Steel Construction

Zinc Plated with a Chromate Finish **

Made in the USA

Features:

Precision Machined Cut Threads

UL Rated Concrete Tight

Twice the Strength and Durability of ALL Die Cast and Malleable Products

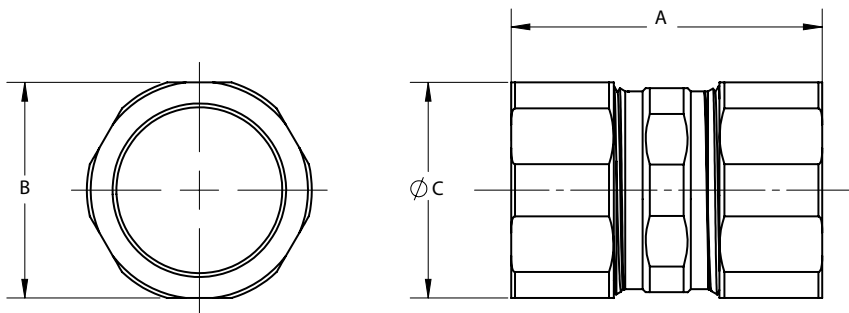
Industrial SPEC-grade



Compression Coupling



Full FLAT HEX Surface with
EZ Torque Steel Compression Nuts
Torques Tight & Right



CAT #	TRADE SIZE	A LENGTH	B HEX	C DIAMETER	Wt. Per/C
EC760US	1/2"	1-3/8"	15/16"	1"	9
EC761US	3/4"	1-9/16"	1-3/16"	1-1/4"	13
EC762US	1"	1-5/8"	1-7/16"	1-1/2"	18
EC763US	1-1/4"	2"	1-13/16"	1-15/16"	29
EC764US	1-1/2"	2-1/4"	2-1/16"	2-3/16"	42
EC765US	2"	2-3/8"	2-9/16"	2-11/16"	61
ERC250PLG (1)	2-1/2"	3-13/16"	3-1/4"	3-7/16"	127
ERC300PLG (1)	3"	3-15/16"	3-15/16"	4"	167
ERC350PLG (1)	3-1/2"	3-15/16"	4-7/16"	4-9/16"	204
ERC400PLG (1)	4"	4"	4-15/16"	5-1/8"	235

(1) 2 1/2" to 4" UL Listed and Rated for Rigid Conduit. Product is stamped accordingly.

Compliances:

Certified Made in the USA

UL 514B, 467

Compression Fittings Concrete Tight

Suitable for Direct Burial ***

NEMA Standard FB1

Federal Standard A-A-50553

Certified for MIL-STD 810 Sinusoidal Vibrations

CSA Standard: C22.2 No. 18F

RoHS Compliant

REACH Compliant

CA Prop 65 Compliant

UNSPSC 39121434



Available OPTIONS:

RainTight Configuration - "RT series" See Catalog Page

** Galvanized Plating - Option

For this Option, Add Suffix "G" to Above Cat Number

Color Coded Painted (powder coated) Fittings - See Catalog Page

*** Rain Tight Series Recommended for

Direct Burial Requirements

EMT Steel Rain Tight Connectors

Size Range: 1/2" - 4" 2 1/2" thru 4" are UL Listed & Approved for Use on Both EMT & Rigid

Product Series: ECRT EMT Rain Tight Compression Connector

Material: Solid Alloy Steel Construction

Zinc Plated with Chromate Finish **

Made in the USA

Features:

Precision Machined Cut Threads

AMFICO **EZ Torque** Solid Steel Compression Nut

Rain Tight Nuts Plated Gold Tone

UL Rated Concrete Tight

Twice the Strength and Durability of ALL Die Cast and Malleable Products

Industrial SPEC-grade

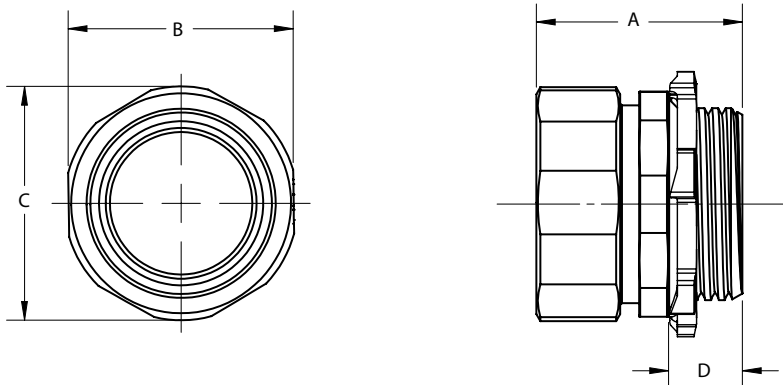
Compression Nut Plated Gold Tone for EZ Inspection and Identification

Guaranteed Rain Tight

Full FLAT HEX Surface for EZ Torque Steel Compression Nut Torques Tight & Right



Rain Tight Compression Connector Above Shown with Optional Insulated Bushing



Furnished with UL Listed Steel Locknut and Rain Tight Sealing Ring

Cat #	TRADE SIZE	A LENGTH	B HEX	C DIAMETER	D THREAD LENGTH	Wt. Per/C
EC750US RT	1/2"	1-3/16"	15/16"	1"	3/8"	8
EC751US RT	3/4"	1-1/4"	1-3/16"	1-1/4"	7/16"	12
EC752US RT	1"	1-1/2"	1-7/16"	1-1/2"	7/16"	19
EC753US RT	1-1/4"	1-7/8"	1-13/16"	1-7/8"	1/2"	30
EC754US RT	1-1/2"	2-3/16"	2-1/16"	2-3/16"	9/16"	46
EC755US RT	2"	2-7/8"	2-9/16"	2-7/8"	5/8"	55
ERC250CONN RT (1)	2-1/2"	3-7/16"	3-1/4"	3-7/16"	1"	120
ERC300CONN RT (1)	3"	4"	3-15/16"	4"	1"	165
ERC350CONN RT (1)	3-1/2"	4-9/16"	4-7/16"	4-9/16"	1"	201
ERC400CONN RT (1)	4"	5-1/8"	4-15/16"	5-1/8"	1"	237

(1) 2 1/2" to 4" UL Listed and Rated for Rigid Conduit. Product is stamped accordingly.

Compliances:

Certified Made in the USA

UL 514B, 467

Compression Fittings Concrete Tight

Suitable for Direct Burial ***

NEMA Standard FB1

Federal Standard A-A-50553

Certified for MIL-STD 810 Sinusoidal Vibrations

CSA Standard: C22.2 No. 18F

RoHS Compliant

REACH Compliant

CA Prop 65 Compliant

UNSPSC 39121434



Available OPTIONS:

Factory Installed 105° UL Rating Insulated Bushing- For this Option, Add Suffix B to Above Cat Number

** Galvanized Plating - Option

For this Option, Add Suffix "G" to Above Cat Number

*** Rain Tight Series Recommended for Direct Burial Requirements

EMT Steel Rain Tight Couplings

Size Range: 1/2" - 4" 2 1/2" thru 4" are UL Listed & Approved for Use on Both EMT & Rigid

Product Series: ECRT EMT Rain Tight Compression Coupling

Material: Solid Alloy Steel Construction

Zinc Plated with a Chromate Finish **

Made in the USA

Features:

Precision Machined Cut Threads

AMFICO **EZ Torque** Solid Steel Compression Nuts

Rain Tight Nuts Plated Gold Tone

UL Rated Concrete Tight

Twice the Strength and Durability of ALL Die Cast and Malleable Products

Compression Nut Plated Gold Tone for EZ Inspection and Identification

Guaranteed Rain Tight

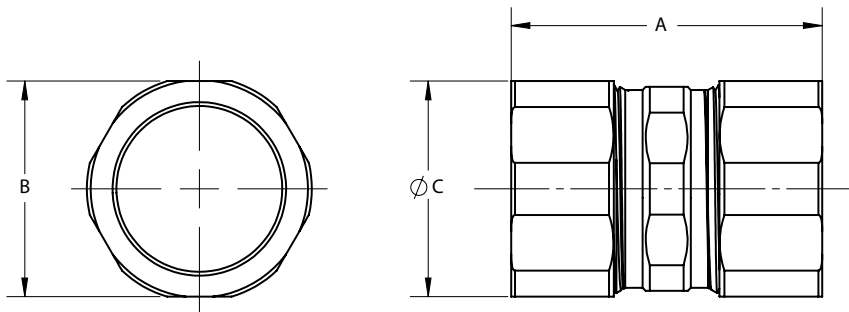
Industrial SPEC-grade



Rain Tight Compression Coupling



Full FLAT HEX Surface for EZ Torque Steel Compression Nuts Torques Tight & Right



CAT #	TRADE SIZE	A LENGTH	B HEX	C DIAMETER	Wt. Per/C
EC760US RT	1/2"	1-3/8"	15/16"	1"	9
EC761US RT	3/4"	1-9/16"	1-3/16"	1-1/4"	13
EC762US RT	1"	1-5/8"	1-7/16"	1-1/2"	18
EC763US RT	1-1/4"	2"	1-13/16"	1-15/16"	29
EC764US RT	1-1/2"	2-1/4"	2-1/16"	2-3/16"	42
EC765US RT	2"	2-3/8"	2-9/16"	2-11/16"	61
ERC250CPLG RT (1)	2-1/2"	3-13/16"	3-1/4"	3-7/16"	127
ERC300CPLG RT (1)	3"	3-15/16"	3-15/16"	4"	167
ERC350CPLG RT (1)	3-1/2"	3-15/16"	4/7/16"	4-9/16"	204
ERC400CPLG RT (1)	4"	4"	4/15/16"	5-1/8"	235

(1) 2 1/2" to 4" UL Listed and Rated for Rigid Conduit. Product is stamped accordingly.

Compliances:

Certified Made in the USA

UL 514B, 467

Compression Fittings Concrete Tight

Suitable for Direct Burial ***

NEMA Standard FB1

Federal Standard A-A-50553

Certified for MIL-STD 810 Sinusoidal Vibrations

CSA Standard: C22.2 No. 18F

RoHS Compliant

REACH Compliant

CA Prop 65 Compliant

UNSPSC 39121434



Available OPTIONS:

** Galvanized Plating - Option

For this Option, Add Suffix "G" to Above Cat Number

*** Rain Tight Series Recommended for

Direct Burial Requirements