

EMT Steel Compression Connector

Size Range: 1/2" - 4" 2 1/2" thru 4" are UL Listed & Approved for Use on Both EMT & Rigid

Product Series: EC - EMT Compression Connector

Material: Solid Alloy Steel Construction

Zinc Plated with a Chromate Finish **

Made in the USA

Features:

Precision Machined Cut Threads

UL Rated Concrete Tight

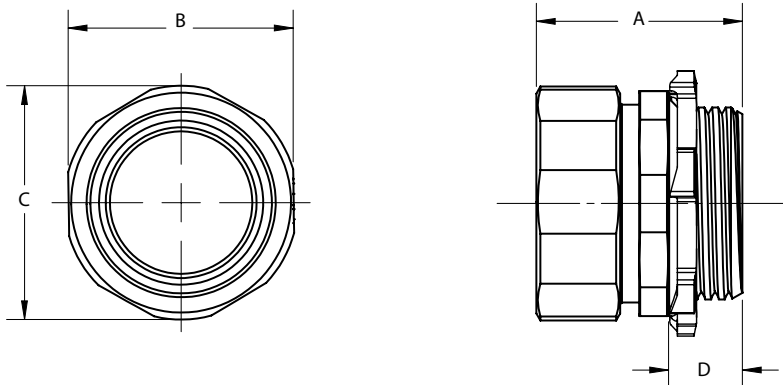
Full FLAT HEX Surface with
EZ Torque Steel Compression Nut
Torques Tight & Right

Twice the Strength and Durability of ALL Die Cast and Malleable Products

Industrial SPEC-grade



Compression Connector
Above with * Insulated Bushing



Furnished with a UL Listed
Steel Locknut

| Cat # | TRADE SIZE | A LENGTH | B HEX | C DIAMETER | D THREAD LENGTH | Wt. Per/C |
|----------------|------------|----------|----------|------------|-----------------|-----------|
| EC750US | 1/2" | 1-3/16" | 15/16" | 1" | 3/8" | 8 |
| EC751US | 3/4" | 1-1/4" | 1-3/16" | 1-1/4" | 7/16" | 12 |
| EC752US | 1" | 1-1/2" | 1-7/16" | 1-1/2" | 7/16" | 19 |
| EC753US | 1-1/4" | 1-7/8" | 1-13/16" | 1-7/8" | 1/2" | 30 |
| EC754US | 1-1/2" | 2-3/16" | 2-1/16" | 2-3/16" | 9/16" | 46 |
| EC755US | 2" | 2-7/8" | 2-9/16" | 2-7/8" | 5/8" | 55 |
| ERC250CONN (1) | 2-1/2" | 3-7/16" | 3-1/4" | 3-7/16" | 1" | 120 |
| ERC300CONN (1) | 3" | 4" | 3-15/16" | 4" | 1" | 165 |
| ERC350CONN (1) | 3-1/2" | 4-9/16" | 4-7/16" | 4-9/16" | 1" | 201 |
| ERC400CONN (1) | 4" | 5-1/8" | 4-15/16" | 5-1/8" | 1" | 237 |

(1) 2 1/2" to 4" UL Listed and Rated for Rigid Conduit. Product is stamped accordingly.

Compliances:

Certified Made in the USA

UL 514B, 467

Compression Fittings Concrete Tight

Suitable for Direct Burial ***

NEMA Standard FB1

Federal Standard A-A-50553

Certified for MIL-STD 810 Sinusoidal Vibrations

CSA Standard: C22.2 No. 18F

RoHS Compliant

REACH Compliant

CA Prop 65 Compliant

UNSPSC 39121434



Available OPTIONS:

* Factory Installed 105°C UL Rating Insulated Bushing-
For this Option, Add Suffix B to Above Cat Number

RainTight Configuration - "RT series" See Catalog Page

** Galvanized Plating - Option
For this Option, Add Suffix "G" to Above Cat Number

Color Coded Painted (powder coated) Fittings- See Catalog Page

*** Rain Tight Series Recommended for
Direct Burial Requirements

EMT Steel Rain Tight Connectors

Size Range: 1/2" - 4" 2 1/2" thru 4" are UL Listed & Approved for Use on Both EMT & Rigid

Product Series: ECRT EMT Rain Tight Compression Connector

Material: Solid Alloy Steel Construction

Zinc Plated with Chromate Finish **

Made in the USA

Features:

Precision Machined Cut Threads

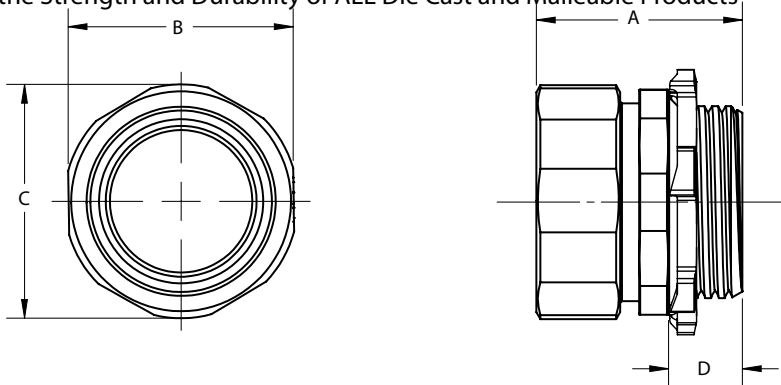
AMFICO **EZ Torque** Solid Steel Compression Nut

Rain Tight Nuts Plated Gold Tone

RT Series: UL Listed Wet Locations, Rain Tight, Concrete Tight NEC 314.15

Suitable for Direct Burial

Twice the Strength and Durability of ALL Die Cast and Malleable Products



Compression Nut Plated Gold Tone for EZ Inspection and Identification

Guaranteed Rain Tight

Full FLAT HEX Surface for EZ Torque Steel Compression Nut Torques Tight & Right

Industrial SPEC-grade



Rain Tight Compression Connector Above Shown with Optional Insulated Bushing



Furnished with UL Listed Steel Locknut and Rain Tight Sealing Ring

| Cat # | TRADE SIZE | A LENGTH | B HEX | C DIAMETER | D THREAD LENGTH | Wt. Per/C |
|-------------------|------------|----------|----------|------------|-----------------|-----------|
| EC750US RT | 1/2" | 1-3/16" | 15/16" | 1" | 3/8" | 8 |
| EC751US RT | 3/4" | 1-1/4" | 1-3/16" | 1-1/4" | 7/16" | 12 |
| EC752US RT | 1" | 1-1/2" | 1-7/16" | 1-1/2" | 7/16" | 19 |
| EC753US RT | 1-1/4" | 1-7/8" | 1-13/16" | 1-7/8" | 1/2" | 30 |
| EC754US RT | 1-1/2" | 2-3/16" | 2-1/16" | 2-3/16" | 9/16" | 46 |
| EC755US RT | 2" | 2-7/8" | 2-9/16" | 2-7/8" | 5/8" | 55 |
| ERC250CONN RT (1) | 2-1/2" | 3-7/16" | 3-1/4" | 3-7/16" | 1" | 120 |
| ERC300CONN RT (1) | 3" | 4" | 3-15/16" | 4" | 1" | 165 |
| ERC350CONN RT (1) | 3-1/2" | 4-9/16" | 4-7/16" | 4-9/16" | 1" | 201 |
| ERC400CONN RT (1) | 4" | 5-1/8" | 4-15/16" | 5-1/8" | 1" | 237 |

RT Series Connectors & Couplings



(1) 2 1/2" to 4" UL Listed and Rated for Rigid Conduit. Product is stamped accordingly.

Compliances:

Certified Made in the USA

UL 514B, 467 UL Listed WET LOCATIONS, Rain Tight NEC 314.15

Compression Fittings Concrete Tight

Suitable for Direct Burial ***

NEMA Standard FB1

Federal Standard A-A-50553

Certified for MIL-STD 810 Sinusoidal Vibrations

CSA Standard: C22.2 No. 18F

RoHS Compliant

REACH Compliant

CA Prop 65 Compliant

UNSPSC 39121434

Available OPTIONS:

Factory Installed 105° UL Rating Insulated Bushing- For this Option, Add Suffix B to Above Cat Number

** Galvanized Plating - Option

For this Option, Add Suffix "G" to Above Cat Number

*** Rain Tight Series Recommended for Direct Burial Requirements



AMFICO 1/2"-4" EMT Rain Tight Connectors and Couplings are UL Listed for WET Locations NEC 514.14 and NEMA 4X and 3R, when properly installed under UL 514B and NEMA FB1 and used in conjunction with an enclosure accordingly UL Listed and NEMA rated.

EMT Steel Compression Coupling

Size Range: 1/2" - 4" 2 1/2" thru 4" are UL Listed & Approved for Use on Both EMT & Rigid

Product Series: EC - EMT Compression Coupling

Material: Solid Alloy Steel Construction

Zinc Plated with a Chromate Finish **

Made in the USA

Features:

Precision Machined Cut Threads

UL Rated Concrete Tight

Twice the Strength and Durability of ALL Die Cast and Malleable Products

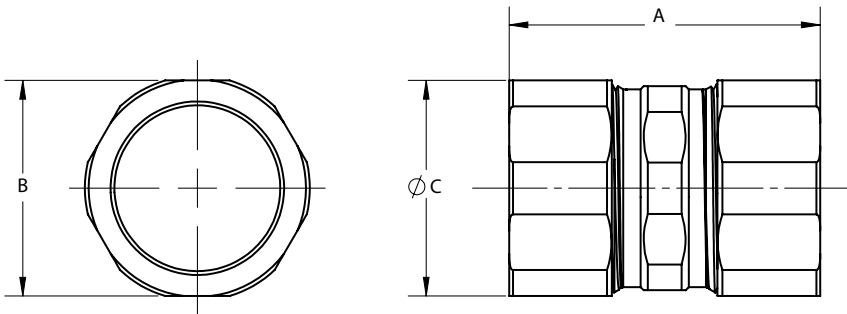
Industrial SPEC-grade



Compression Coupling



Full FLAT HEX Surface with EZ Torque Steel Compression Nuts Torques Tight & Right



| CAT # | TRADE SIZE | A LENGTH | B HEX | C DIAMETER | Wt. Per/C |
|---------------|------------|----------|----------|------------|-----------|
| EC760US | 1/2" | 1-3/8" | 15/16" | 1" | 9 |
| EC761US | 3/4" | 1-9/16" | 1-3/16" | 1-1/4" | 13 |
| EC762US | 1" | 1-5/8" | 1-7/16" | 1-1/2" | 18 |
| EC763US | 1-1/4" | 2" | 1-13/16" | 1-15/16" | 29 |
| EC764US | 1-1/2" | 2-1/4" | 2-1/16" | 2-3/16" | 42 |
| EC765US | 2" | 2-3/8" | 2-9/16" | 2-11/16" | 61 |
| ERC250PLG (1) | 2-1/2" | 3-13/16" | 3-1/4" | 3-7/16" | 127 |
| ERC300PLG (1) | 3" | 3-15/16" | 3-15/16" | 4" | 167 |
| ERC350PLG (1) | 3-1/2" | 3-15/16" | 4-7/16" | 4-9/16" | 204 |
| ERC400PLG (1) | 4" | 4" | 4-15/16" | 5-1/8" | 235 |

(1) 2 1/2" to 4" UL Listed and Rated for Rigid Conduit. Product is stamped accordingly.

Compliances:

Certified Made in the USA

UL 514B, 467

Compression Fittings Concrete Tight

Suitable for Direct Burial ***

NEMA Standard FB1

Federal Standard A-A-50553

Certified for MIL-STD 810 Sinusoidal Vibrations

CSA Standard: C22.2 No. 18F

RoHS Compliant

REACH Compliant

CA Prop 65 Compliant

UNSPSC 39121434



Available OPTIONS:

RainTight Configuration - "RT series" See Catalog Page

** Galvanized Plating - Option

For this Option, Add Suffix "G" to Above Cat Number

Color Coded Painted (powder coated) Fittings - See Catalog Page

*** Rain Tight Series Recommended for

Direct Burial Requirements

EMT Steel Rain Tight Couplings

Size Range: 1/2" - 4" 2 1/2" thru 4" are UL Listed & Approved for Use on *Both EMT & Rigid*

Product Series: ECRT EMT Rain Tight Compression Coupling

Material: Solid Alloy Steel Construction

Zinc Plated with a Chromate Finish **

Made in the USA

Compression Nut Plated Gold Tone for EZ Inspection and Identification

Industrial SPEC-grade

Features:

Precision Machined Cut Threads

AMFICO **EZ Torque** Solid Steel Compression Nuts

Rain Tight Nuts Plated Gold Tone

RT Series: UL Listed Wet Locations, Rain Tight, Concrete Tight NEC 314.15

Suitable for Direct Burial

Guaranteed Rain Tight

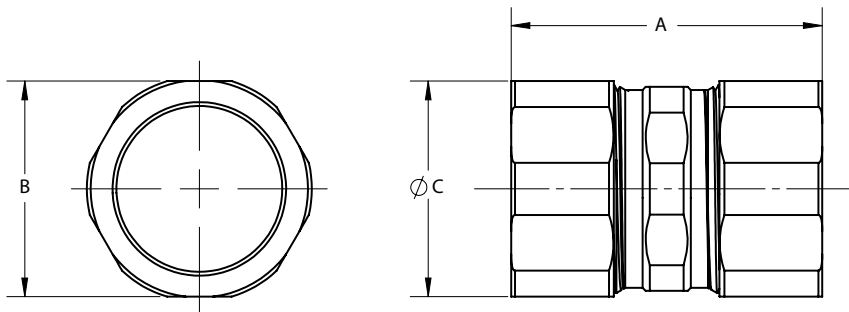
Twice the Strength and Durability of ALL Die Cast and Malleable Products



Rain Tight Compression Coupling



Full **FLAT HEX** Surface for EZ Torque Steel Compression Nuts Torques Tight & Right



RT Series Connectors & Couplings



WET LOCATIONS
Rain Tight - Concrete Tight

© American Fittings Corp. NJ

| CAT # | TRADE SIZE | A LENGTH | B HEX | C DIAMETER | Wt. Per/C |
|-------------------|------------|----------|----------|------------|-----------|
| EC760US RT | 1/2" | 1-3/8" | 15/16" | 1" | 9 |
| EC761US RT | 3/4" | 1-9/16" | 1-3/16" | 1-1/4" | 13 |
| EC762US RT | 1" | 1-5/8" | 1-7/16" | 1-1/2" | 18 |
| EC763US RT | 1-1/4" | 2" | 1-13/16" | 1-15/16" | 29 |
| EC764US RT | 1-1/2" | 2-1/4" | 2-1/16" | 2-3/16" | 42 |
| EC765US RT | 2" | 2-3/8" | 2-9/16" | 2-11/16" | 61 |
| ERC250CPLG RT (1) | 2-1/2" | 3-13/16" | 3-1/4" | 3-7/16" | 127 |
| ERC300CPLG RT (1) | 3" | 3-15/16" | 3-15/16" | 4" | 167 |
| ERC350CPLG RT (1) | 3-1/2" | 3-15/16" | 4/7/16" | 4-9/16" | 204 |
| ERC400CPLG RT (1) | 4" | 4" | 4/15/16" | 5-1/8" | 235 |

(1) 2 1/2" to 4" UL Listed and Rated for Rigid Conduit. Product is stamped accordingly.

Compliances:

Certified Made in the USA

UL 514B, 467 UL Listed WET LOCATIONS Rain Tight NEC 314.15

Compression Fittings Concrete Tight

Suitable for Direct Burial ***

NEMA Standard FB1

Federal Standard A-A-50553

Certified for MIL-STD 810 Sinusoidal Vibrations

CSA Standard: C22.2 No. 18F

RoHS Compliant

REACH Compliant

CA Prop 65 Compliant

UNSPSC 39121434

Available OPTIONS:

** Galvanized Plating - Option

For this Option, Add Suffix "G" to Above Cat Number

*** Rain Tight Series Recommended for

Direct Burial Requirements

AMFICO 1/2"-4" EMT Rain Tight Connectors and Couplings are UL Listed for WET Locations NEC 514.14 and NEMA 4X and 3R, when properly installed under UL 514B and NEMA FB1 and used in conjunction with an enclosure accordingly UL Listed and NEMA rated.

EMT Steel Compression Color Coded

Since 1946

Size Range: 1/2" - 4" 2 1/2" thru 4" are UL Listed & Approved for Use on Both EMT & Rigid

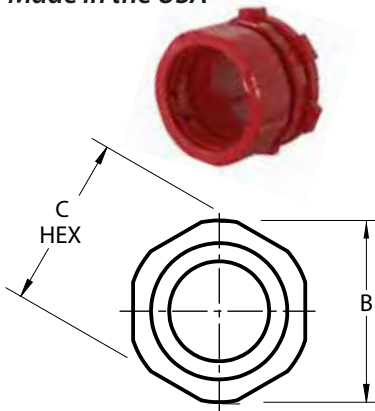
Industrial SPEC-grade

Product Series: EC - EMT Compression Connector

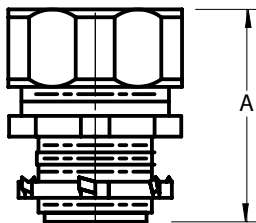
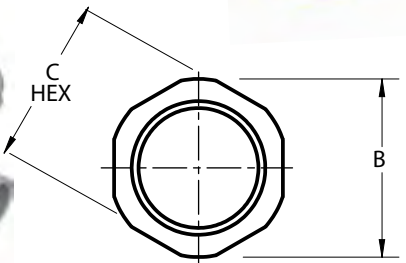
Material: Solid Alloy Steel Construction Powder Coated

Made in the USA

Fire alarms, security systems, fiber optics, high- and low-voltage circuits, data circuits: without a system, trying to tell their wires apart can be tricky. Color coded fittings makes it easy. Contractors avoid the hassels of spray painting and taping.



Powder Coating Will Not Flake or Crack.

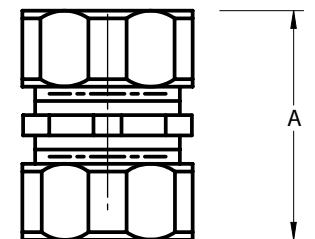


Connector Furnished with a Steel Locknut

Steel Fitting Twice the Durability of Cast Products.

Color Coded Power Coated AMFICO EMT fittings consists of set screw, compression, insulated and non-insulated.

While red is the most commonly used, other colors offered include white, blue, green, yellow, black, and orange. *



| Connectors | | | | | | Couplings | | | | | |
|--------------|-------------|----------|----------|----------|-------|--------------|-------------|----------|----------|----------|-------|
| Cat#* | Trade Size" | A | B | C | Wt./c | Cat# | Trade Size" | A | B | C | Wt./c |
| EC750US-R | 1/2" | 1-1/8" | 1" | 15/16" | 8 | EC760US-R | 1/2" | 1-3/8" | 1" | 15/16" | 8 |
| EC751US-R | 3/4" | 1-3/16" | 1-7/32" | 1-3/16" | 12 | EC761US-R | 3/4" | 1-7/16" | 1-7/32" | 1-3/16" | 13 |
| EC752US-R | 1 | 1-5/16" | 1-1/2" | 1-7/16" | 19 | EC762US-R | 1 | 1-17/32" | 1-1/2" | 1-7/16" | 19 |
| EC753US-R | 1-1/4" | 1-9/16" | 1-7/8" | 1-13/16" | 30 | EC763US-R | 1-1/4" | 1-27/32" | 1-7/8" | 1-13/16" | 30 |
| EC754US-R | 1-1/2" | 1-11/16" | 2-5/32" | 2-1/16" | 46 | EC764US-R | 1-1/2" | 2-1/16" | 2-5/32" | 2-1/16" | 46 |
| EC755US-R | 2" | 1-7/8" | 2-7/8" | 2-9/16" | 55 | EC765US-R | 2" | 2-1/4" | 2-7/8" | 2-9/16" | 60 |
| ERC250CONN-R | 2-1/2" | 3-1/8" | 3-13/32" | 3-1/4" | 120 | ERC250CPLG-R | 2-1/2" | 3-5/8" | 3-13/32" | 3-1/4" | 133 |
| ERC300CONN-R | 3" | 3-1/16" | 4" | 3-29/32" | 165 | ERC300CPLG-R | 3" | 3-11/16" | 4" | 3-29/32" | 171 |
| ERC350CONN-R | 3-1/2" | 3-1/16" | 4-9/16" | 4-13/32" | 201 | ERC350CPLG-R | 3-1/2" | 3-19/32" | 4-9/16" | 4-13/32" | 205 |
| ERC400CONN-R | 4" | 3-1/16" | 5-3/32" | 4-29/32" | 237 | ERC400CPLG-R | 4" | 3-5/8" | 5-3/32" | 4-29/32" | 238 |

Compliances:

- Certified Made in the USA
- UL 514B
- NEMA Standard FB1
- Federal Standard A-A-50553
- UL Standards: 514B, 467
- Certified for MIL-STD 810 Sinusoidal Vibrations
- CSA Standard: C22.2 No. 18F
- RoHS Compliant
- REACH Compliant
- CA Prop 65 Compliant
- UNSPSC 39121434



Features and Options:

Solid Alloy Steel Construction, Precision Machined
Connector Furnished with Steel Locknut-

Optional: Insulated Throat Bushing Available - Add Suffix "B"

* **Color Options Available** (minimum qty's may apply):

Remove Suffix "R" from Cat # and Add Suffix:

- OR Orange Fiber Optics Circuits
- YL Yellow High Voltage Wiring
- BLU Blue Low Voltage Wiring Data Com
- BK Black Architectural Design
- GR Green Hospitals & Healthcare Critical Equipment
- WHT White Architectural Design
- R Red Fire Alarm and Safety Systems