

## Adapter Steel EMT to Rigid Conduit

Size Range: 1/2" - 4"

Product Series: ETR - EMT Compression to Rigid Threaded Conduit

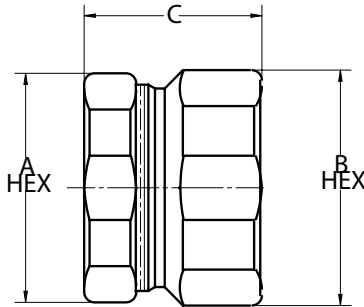
Material: Solid Alloy Steel Construction

Zinc Plated with Chromate Finish \*\*

Made in the USA

TWICE the Strength and Durability of Die Cast & Malleable Iron Products  
Split Coupling EMT Compression to Threaded Rigid Conduit

Industrial SPEC-grade



Converts EMT to Rigid or IMC conduit  
EMT compression coupling one end,  
rigid threaded coupling other end.

Precision Machined from Solid Alloy Bar Stock  
Machined Cut Threads  
Full Compression EZ Torque Nuts  
1/2 the Weight of Malleable Iron Fittings

Cat. #	Trade Size	Type	A - hex	B - hex	C Length	Unit Ctn	Std Ctn	WT/ 100
ETR50	1/2"	STANDARD	15/16	15/16	1-1/4	25	250	11
ETR50RT	1/2"	RAINTIGHT	15/16	15/16	1-1/4	25	250	11
ETR75	3/4"	STANDARD	1-11/64	1-9/32	1-9/32	10	100	16
ETR75RT	3/4"	RAINTIGHT	1-11/64	1-9/32	1-9/32	10	100	16
ETR100	1"	STANDARD	1-7/16	1-9/16	1-15/32	5	50	26
ETR100RT	1"	RAINTIGHT	1-7/16	1-9/16	1-15/32	5	50	26
ETR125	1-1/4"	STANDARD	1-13/16	1-13/16	1-9/16	5	50	31
ETR125RT	1-1/4"	RAINTIGHT	1-13/16	1-13/16	1-9/16	5	50	31
ETR150	1-1/2"	STANDARD	2-1/16	2-1/16	1-25/32	5	25	41
ETR150RT	1-1/2"	RAINTIGHT	2-1/16	2-1/16	1-25/32	5	25	41
ETR200	2"	STANDARD	2-9/16	2-9/16	1-7/8	5	25	61
ETR200RT	2"	RAINTIGHT	2-9/16	2-9/16	1-7/8	5	25	61
ETR250	2-1/2"	STANDARD	3-1/4	3-1/4	2-25/32	-	5	150
ETR250RT	2-1/2"	RAINTIGHT	3-1/4	3-1/4	2-25/32	-	5	150
ETR300	3"	STANDARD	3-29/32	3-29/32	2-25/32	-	5	194
ETR300RT	3"	RAINTIGHT	3-29/32	3-29/32	2-25/32	-	5	194
ETR350	3-1/2"	STANDARD	4-13/32	4-13/32	2-25/32	-	4	240
ETR350RT	3-1/2"	RAINTIGHT	4-13/32	4-13/32	2-25/32	-	4	240
ETR400	4"	STANDARD	4-29/32	4-29/32	2-25/32	-	2	300
ETR400RT	4"	RAINTIGHT	4-29/32	4-29/32	2-25/32	-	2	300

**Compliances:**

Certified Made in the USA

UL 514B, 467

Compression Fittings Concrete Tight

Suitable for Direct Burial \*\*\*

NEMA Standard FB1

Federal Standard A-A-50553

Certified for MIL-STD 810 Sinusoidal Vibrations

CSA Standard: C22.2 No. 18F

RoHS Compliant

REACH Compliant

CA Prop 65 Compliant

UNSPSC 39131707



**Available OPTIONS:**

\*\* Galvanized Plating - Option

For this Option, Add Suffix "G" to Above Cat Number

\*\*\* Rain Tight RT Series Recommended for

Direct Burial Requirements