

Adapter EMT Steel Comp. to FMC (flex)

Size Range: 1/2" - 4"

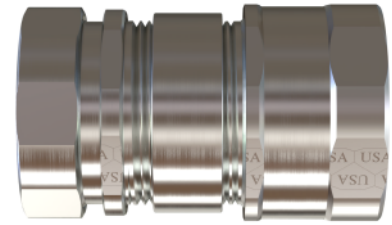
Product Series: FLXEMT EMT Compression* to Greenfield (FMC)

Material: Solid Alloy Steel Construction

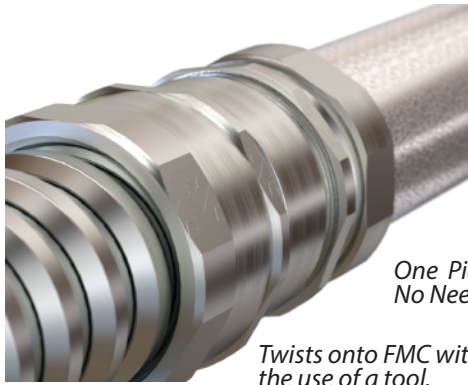
Zinc Plated with Chromate Finish

Made in the USA

Industrial SPEC-grade



SPEC flex
Connector System



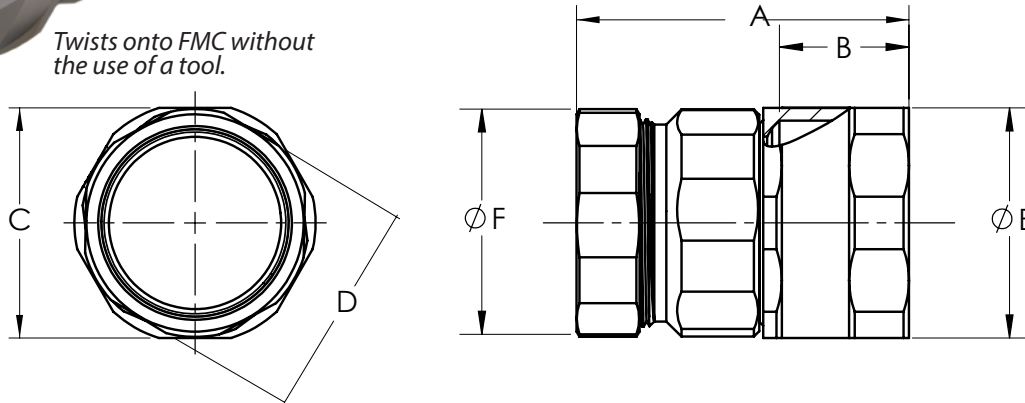
Twists onto FMC without the use of a tool.

Exceeds UL Pullout Requirements by 300%
Unlike Diecast Product Cannot Crack or Deform

One Piece Construction
No Need to Take Adapter Apart to Install

Converts EMT Conduit to FMC flex Conduit
Compression Configuration

Precision Machined from Solid Alloy Bar Stock
Machined Cut Threads
Full Compression EZ Torque Nuts



Cat #	TRADE SIZE	A LENGTH	B DEPTH	C HEX	D HEX	E DIAMETER	F DIAMETER
FLXEMT50	1/2"	1-15/16"	11/16"	1-1/16"	15/16"	1-1/8"	1"
FLXEMT75	3/4"	1-15/16"	11/16"	1-1/4"	1-3/16"	1-3/8"	1-1/4"
FLXEMT100	1"	2-1/4"	15/16"	1-1/2"	1-7/16"	1-5/8"	1-1/2"
FLXEMT125	1-1/4"	2-7/16"	1-1/16"	1-13/16"	1-13/16"	1-15/16"	1-7/8"
FLXEMT150	1-1/2"	2-13/16"	1-3/16"	2-1/16"	2-1/16"	2-3/16"	2-3/16"
FLXEMT200	2"	2-13/16"	1-3/16"	2-9/16"	2-9/16"	2-11/16"	2-7/8"
FLXERC250	2-1/2"	3-1/2"	1-5/16"	3-5/16"	3-7/16"	3-7/16"	3-7/16"
FLXERC300	3"	3-9/16"	1-1/4"	3-15/16"	3-7/8"	4"	4"
FLXERC350	3-1/2"	3-5/8"	1-5/16"	4-7/16"	4-7/16"	4-9/16"	4-9/16"
FLXERC400	4"	3-5/8"	1-5/16"	4-15/16"	4-15/16"	5-1/8"	5-1/8"

Compliances:

- Certified Made in the USA
- UL 514B
- NEMA Standard FB1
- Federal Standard A-A-50553
- UL Standards: 514B, 467
- CSA Standard: C22.2 No. 18F
- RoHS Compliant
- REACH Compliant
- CA Prop 65 Compliant
- UNSPSC 39131707



Available OPTIONS:

- * EMT Set Screw Fitting to Flex
- Rigid Conduit Adapters to Flex
- Liquid Tight Conduit Adapters to Flex

SPECflex Single Turn On Flex Connector

Note:

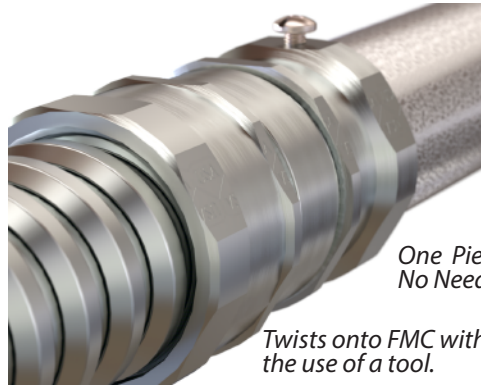
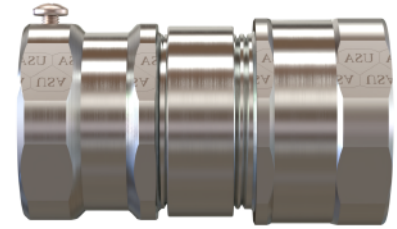
SPECflex connectors are designed to work and interface with UL listed, Made in USA FMC / Greenfield conduit. We cannot guarantee fit, form, or function with non-UL off-shore conduit.

Request a sample from factory to ensure capatibility.

Adapter EMT Steel SS to FMC (flex)

Size Range: 1/2" - 4"
 EMT Set Screw* to Flex Adapter
 Product Series: FLXSS EMT Set Screw to Greenfield (FMC)
 Material: Solid Alloy Steel Construction
 Zinc Plated with Chromate Finish
 Made in the USA

Industrial SPEC-grade



Exceeds UL Pullout Requirements by 300%
 Unlike Diecast Product Cannot Crack or Deform

EMT Side:
 1/2" to 2" Furnished with 1 Screw
 2-1/2" to 4" Furnished with 2 Screws

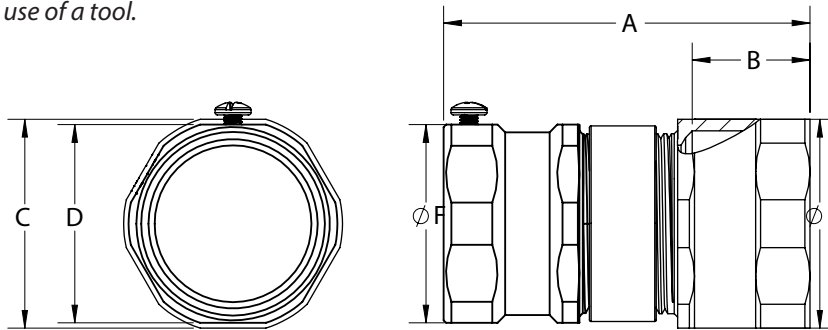
One Piece Construction
 No Need to Take Adapter Apart to Install

Twists onto FMC without the use of a tool.

SPEC flex Connector System

Converts EMT Conduit to FMC flex Conduit Set Screw Configuration

Precision Machined from Solid Alloy Bar Stock
 Machined Cut Threads
 Full Compression EZ Torque Nuts



Cat #	TRADE SIZE	A LENGTH	B DEPTH	C HEX	D HEX	E E DIAMETER	F DIAMETER
FLXSS50	1/2"	2-5/8"	11/16"	1-1/16"	7/8"	1-1/8"	7/8"
FLXSS75	3/4"	3"	11/16"	1-1/4"	1-1/16"	1-3/8"	1-1/8"
FLXSS100	1"	3-13/16"	15/16"	1-1/2"	1-3/8"	1-5/8"	1-3/8"
FLXSS125	1-1/4"	3-9/16"	1-1/16"	1-13/16"	1-3/4"	1-15/16"	1-3/4"
FLXSS150	1-1/2"	4-1/8"	1-3/16"	2-1/16"	2-1/16"	2-3/16"	2-1/16"
FLXSS200	2"	5-1/8"	1-3/16"	2-9/16"	2-1/2"	2-11/16"	2-1/2"
FLXERS250	2-1/2"	5-1/8"	1-5/16"	3-5/16"	3-1/4"	3-7/16"	3-7/16"
FLXERS00	3"	5-1/4"	1-1/4"	3-15/16"	3-15/16"	4"	4"
FLXERS350	3-1/2"	5-1/4"	1-5/16"	4-7/16"	4-7/16"	4-9/16"	4-9/16"
FLXERS400	4"	5-1/4"	1-5/16"	4-15/16"	4-15/16"	5-1/8"	5-1/8"

Compliances:

Certified Made in the USA
 UL 514B
 NEMA Standard FB1
 Federal Standard A-A-50553
 UL Standards: 514B, 467
 CSA Standard: C22.2 No. 18F
 RoHS Compliant
 REACH Compliant
 CA Prop 65 Compliant
 UNSPSC 39131707



Available OPTIONS:

* EMT Compression Fitting to Flex
 Rigid Conduit Adapters to Flex
 Liquid Tight Conduit Adapters to Flex

SPECflex Single Turn On Flex Connector

Note:

SPECflex connectors are designed to work and interface with UL listed, Made in USA FMC / Greenfield conduit. We cannot guarantee fit, form, or function with non-UL off-shore conduit.

Request a sample from factory to ensure capatibility.