

AMERICAN FITTINGS

Rigid Conduit Fittings - Chase Nipples



Since 1946

SPEC-grade™

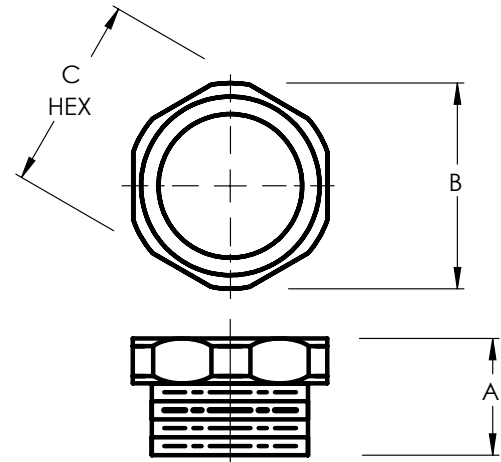
Size Range: 1/2" - 4" Alloy Steel Chase Nipples
CN Series Compression and Set Screw
 For Both Rigid and IMC Conduit
 Designed to Couple Boxes / Enclosures
 Standard Product Furnished Without
 150°C Insulated Throat Bushing Option Available

Available:
 GB Series: Compression Precision Machined Threads
 Locks Tight and Right
 Insulated Throat Bushing Option *
 Zinc Plated, Galvanized Plating Option Available**
 Consult Factory for Aluminum

Alloy Steel is Naturally Corrosion Resistant




Twice the Tensile Strength of Die Cast Fittings



Rigid Alloy Steel Chase Nipples

Cat # **	Trade Size	Description	Box Qty.	Carton Qty	Wt/c.	UPC Code
CN 50	1/2	Steel Chase Nipple	100	1000	4	66236415000
CN 75	3/4	Steel Chase Nipple	50	500	6	66236415002
CN100	1	Steel Chase Nipple	20	200	12	66236415004
CN125	1 1/4	Steel Chase Nipple	20	100	15	66236415005
CN150	1 1/2	Steel Chase Nipple	20	100	20	66236415006
CN200	2	Steel Chase Nipple	15	75	27	66236415007
CN250	2 1/2	Steel Chase Nipple	5	25	58	66236415008
CN300	3	Steel Chase Nipple		5	64	66236415009
CN350	3 1/2	Steel Chase Nipple		5	90	66236415010
CN400	4	Steel Chase Nipple		5	192	66236415011

Compliances:

Certified Made in the USA
 UL 514B
 NEMA Standard FB1
 Certified for MIL-STD 810 Sinusoidal Vibrations
 Federal Standard A-A-50553
 UL Standards: 514B, 467
 CSA Standard: C22.2 No. 18F 
 RoHS Compliant

Dimensions

Cat #	Trade Size	'A' LENGTH	'B' DIAMETER	'C' HEX
CN50	1/2"	9/16"	1"	15/16"
CN75	3/4"	5/8"	1-1/4"	1-3/16"
CN100	1"	7/8"	1-5/8"	1-9/16"
CN125	1-1/4"	15/16"	1-7/8"	1-13/16"
CN150	1-1/2"	1"	2-1/8"	2-1/16"
CN200	2"	1-1/16"	2-5/8"	2-9/16"
CN250	2-1/2"	1-1/4"	3-7/16"	3-5/16"
CN300	3"	1-1/4"	4"	3-15/16"
CN350	3-1/2"	1-1/4"	4-9/16"	4-1/2"
CN400	4"	1-1/4"	5-1/8"	4-15/16"

Options:

* **Insulated Throat Option:**
 Add suffix "B" to cat #; i.e. CN125B

** **Galvanized Plating Option**
 : Add suffix "G" to cat #; i.e. CN200G

*Note: Galvanizing, minimum quantities may apply.
 Consult factory.*