

AMERICAN FITTINGS

EMT Fittings Alloy Steel Made in the USA EMT to Rigid Combination Couplings



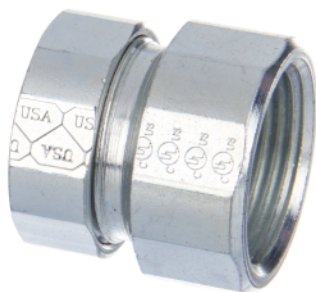
Since 1946

SPEC-grade™

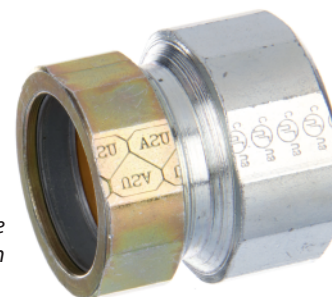
Size Range: 1/2" - 4"* Alloy Steel
EMT to Rigid Conduit Combination Coupling

Covert your EMT to Rigid or IMC conduit with this compression coupling. EMT compression coupling 1 end, Rigid compression coupling other end.

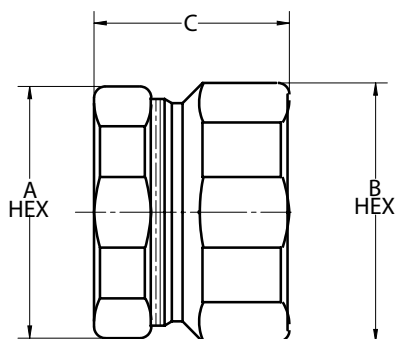
Available:
Solid Alloy Steel Construction, Precision Machined
ETR Series: EMT Compression - Rigid End Threaded
Zinc Plated, Chromate Finish
ETR RT Series UL Listed for Rain Tight



EZ Torque™
Compression Nut on EMT End
Threaded other End for Rigid Conduit



Rain Tight Fittings Feature
Gold Color Nuts for Inspection Identification



Compliances:
Certified Made in the USA
UL 514B
NEMA Standard FB1
Federal Standard A-A-50553
UL Standards: 514B, 467
RoHS Compliant



Cat. #	Trade Size	Type	A - hex	B - hex	C Length	Unit Ctn	Std Ctn	WT/100
ETR50	1/2"	STANDARD	15/16	15/16	1-1/4	25	250	11
ETR50RT	1/2"	RAINTIGHT	15/16	15/16	1-1/4	25	250	11
ETR75	3/4"	STANDARD	1-11/64	1-9/32	1-9/32	10	100	16
ETR75RT	3/4"	RAINTIGHT	1-11/64	1-9/32	1-9/32	10	100	16
ETR100	1"	STANDARD	1-7/16	1-9/16	1-15/32	5	50	26
ETR100RT	1"	RAINTIGHT	1-7/16	1-9/16	1-15/32	5	50	26
ETR125	1-1/4"	STANDARD	1-13/16	1-13/16	1-9/16	5	50	31
ETR125RT	1-1/4"	RAINTIGHT	1-13/16	1-13/16	1-9/16	5	50	31
ETR150	1-1/2"	STANDARD	2-1/16	2-1/16	1-25/32	5	25	41
ETR150RT	1-1/2"	RAINTIGHT	2-1/16	2-1/16	1-25/32	5	25	41
ETR200	2"	STANDARD	2-9/16	2-9/16	1-7/8	5	25	61
ETR200RT	2"	RAINTIGHT	2-9/16	2-9/16	1-7/8	5	25	61
ETR250	2-1/2"	STANDARD	3-1/4	3-1/4	2-25/32	-	5	150
ETR250RT	2-1/2"	RAINTIGHT	3-1/4	3-1/4	2-25/32	-	5	150
ETR300	3"	STANDARD	3-29/32	3-29/32	2-25/32	-	5	194
ETR300RT	3"	RAINTIGHT	3-29/32	3-29/32	2-25/32	-	5	194
ETR350	3-1/2"	STANDARD	4-13/32	4-13/32	2-25/32	-	4	240
ETR350RT	3-1/2"	RAINTIGHT	4-13/32	4-13/32	2-25/32	-	4	240
ETR400	4"	STANDARD	4-29/32	4-29/32	2-25/32	-	2	300
ETR400RT	4"	RAINTIGHT	4-29/32	4-29/32	2-25/32	-	2	300